



Incredible Mobile Suction

Madvac LT500



Madvac LT500

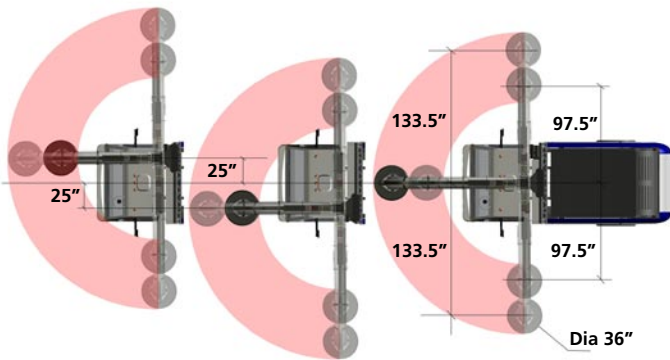
Clean up and save money

Large hopper for large litter

Based on the successful Madvac LX300, the new Madvac LT500 meet the needs of high volume litter collection in hard-to-reach areas, and virtually transforms the manual litter picker into a highly automated efficient vacuum litter collection system with increased productivity rates. Litter picking becomes safer with less injuries and fatigue.

Works anytime, anywhere

The LT500 vacuums trash and litter from trash cans, landfills, highways, parks and campgrounds, composting and recycling plants, streets, ditches, alleyways, racetracks & stadiums, ports, rail stations, zoos or any hard-to-reach areas.



Feature and benefits

- Joystick controlled robotic vacuum hose arm collects debris in hard-to-reach areas and safely vacuums up trash cans.
- Easy operation joystick vacuum arm pivots 180 (degrees) around the vehicle covering 23 ft wide path.
- Large 12 in. dia. vacuum hose picks up heavy, large and awkward litter such as shopping bags of garbage, bottles, broken glass, cigarette butts on paved or grass surfaces.
- 6500 CFM gives superior suction due to its patented straight-through suction system.
- High dump, with dump chute for easy litter disposal into standard roll-off containers and into refuse collection trucks.
- A unique water recirculation system, which filters water from the debris hopper resulting in less water usage and greater productivity.
- Dust suppression in hopper: Tank capacity 100 gallons (380 litres) of water.
- Water re-circulation system via a hydraulically driven pump
- Quick disconnect customized suction hood attachment is available upon request.
- Optional wanderhose for hard to reach tree wells, litter receptacles, between cars, telephone booths and bus shelters. Pick up litter in hard-to-reach areas easily with a hose length of up to 25 ft (7.6 m).



Outline Specification Madvac LT500

Length (truck only)	208.5 in	
Length (w/broom in front)	246 in	
Width	87 in	
Height	123 in	
Boom	Extension Horizontal	36 in
	Swing	180 deg
	Up/Down	101 in
	Extension Vertical	16.5 in
	Hose dia	12 in
Container capacity	Total Volume	5 cu yard
Rear Dump Chute	Height	51 3/4 in
Vacuum	Speed Nozzle inlet	8500 ft/min
	Volume Nozzle inlet	6500 cfm
Water	Fresh	100 gal
	Re-circulated	2 X 50 gal

Engine

Make	Kubota	
Model	V3300-TE	
HP	83HP @ 2600rpm	
Torque	165lb-ft @ 2600rpm	
# Cyl	4	
Displ	3.3L	
Max Speed	2600 rpm	
Operation Speed	2000 rpm	
Idle Speed	1100rpm	

Chassis

Make	GMC	
Model	W5500	
Engine	Diesel Isuzu 41HK1 -TC	
	Turbo/Intercooled	
	5.2L (317 CID) 190HP @ 2600rpm 387lb/ft @ 1500rpm	
Transmission	Automatic AISIN 450 - 43 LE 4 - Speed	
Front GAWR	6830lb	
Rear GAWR	12980lb (Capacity: 14550lb)	
GVWR	17950 Lbs.	
Rear axle ratio	5.571:1	
Payload allowance	11821 - 12053lb	
Suspension	Type: Multi-Leaf	
	Front: 8440lb	
	Rear: 14550lb	
Brake	Hyd Boosted W/4 channel ABS Hyd	
	Front Disc	
	Rear drum	
Exhaust Brake	Vacuum operated	
Dual Steering	Integral Hyd power	
	Tilt & Telescopic	
Frame	Section Modulus: 7.2in ³	
	Res Bending Moment:	
	316800lb-ft/in	
Alternator	110A	
Batteries	2 @ 750 CCA	
	Maintenance free	
Wheel Base	109"	
Tires	225/70R - 19SF (12ply)	
Fuel Tank	30gal in frame	
Fuel/Water separator	Heated fuel/water separator with dash mounted indicator light	

**“No Fan to Jam”
technology with
lifetime warranty**



ALLIANZ MADVAC'S COMMITMENT TO YOU

Our guarantee of service and performance continues long after the sale:

- Most comprehensive warranty in the industry
- Guaranteed 48-hours parts shipment
- State-of-art training facility

125 DEALERS ACROSS 82 COUNTRIES ARE READY TO SERVE YOU.

Our extensive network of authorized dealers are carefully selected, highly trained, and thoroughly committed to provide a level of customer service and support that is unmatched in the sweeper industry.

That's your assurance of maximum road time, low operating cost per mile, and a thoroughly satisfying, long-term relationship with your sweeper company.



**Call today for a free catalog, video or demonstration.
Call TOLL FREE: 1-800-862-3822**

Your local Dealer is:

Allianz Madvac Inc.

4651 Schaefer Avenue, Chino
CA 91710, USA

1690 Eiffel, Boucherville,
Quebec J4B 7W1, Canada

Toll-Free 1 800 862-3822

Tel.: 1 (450) 616-8100

Fax: 1 (450) 616-8103

E-Mail: info@allianzmadvac.com

Web: www.allianzmadvac.com