



AMERICAN EAGLE DRAWER SYSTEMS

AMERICAN EAGLE DRAWER SYSTEMS

AMERICAN EAGLE mobile service drawer assemblies are built to take the abuse. A 300 lb. slide is used across the entire size range of drawers to insure a solid, durable platform to carry your tools and components. American Eagle is so confident in the durability of these drawers that we are offering a full conditional lifetime warranty on the slides and hardware.

ALL drawer widths in the product line utilize our unique key locking "T" handle. This feature provides a one handed operation and conceals the latch mechanism for heavy-duty protection and an attractive appearance. All the drawer fronts on the assemblies are given a textured gray powder coat finish. All of the other drawer components are manufactured of galvanized steel to prevent rust and provide a virtually indestructible surface for the latches to strike—no worn paint, as on other manufacturer's products. The metal edges of our drawers, and top shelf, are hemmed for added strength and safety.

American Eagle knows that ease of installation is important. Features have been added with this in mind. The side panels have a standard 2.50" riser built into them with mounting slots pre-punched. The top shelf is included with all multiple drawer units and is designed to telescope out 2.75" on each side of the drawer set. In most installations this will provide a full shelf in the body compartment and give solid reinforcement. The individual drawers are easily lifted from the set providing a unique feature that will assist your installation. This feature may also be convenient if you need to move items closer to the job. Each drawer in the set is provided with (4) hemmed dividers and is punched on 2.00" centers for divider installation.





Drawer edges are hemmed for added strength.



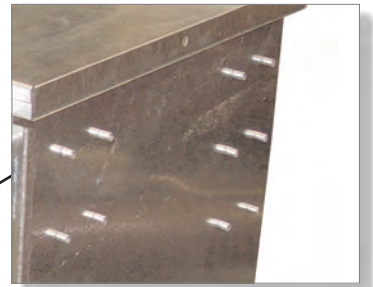
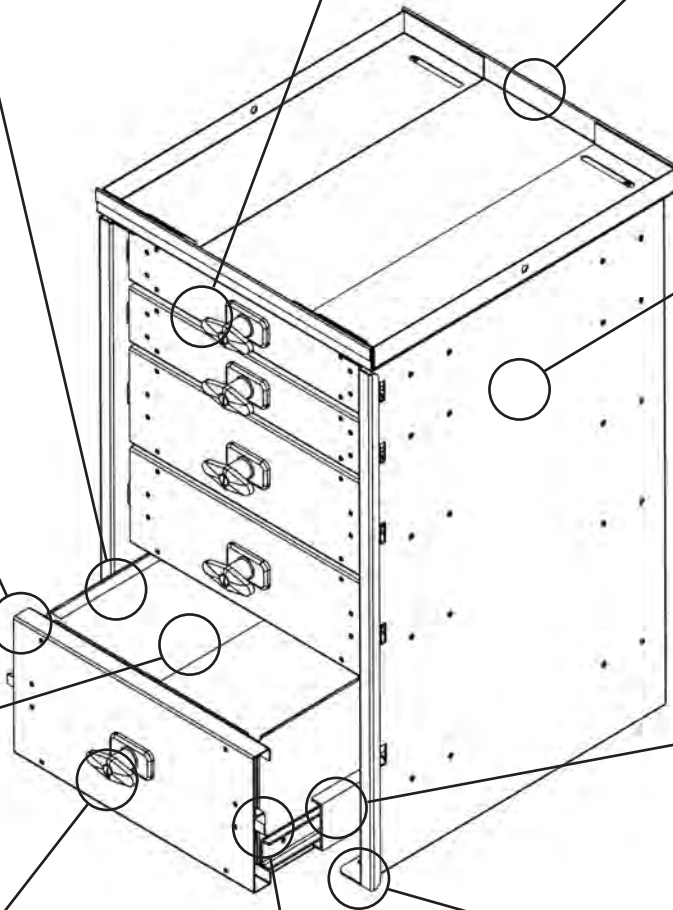
Removable 16 gauge drawers for moving closer to your work.



Telescoping 16 gauge top shelf for easy installation.



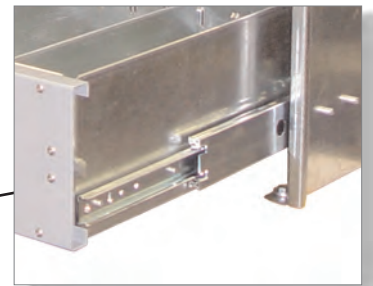
Galvanized components with powder coated 16 gauge drawer fronts.



Heavy duty 14 gauge steel sides.



Four dividers are included in each drawer.



Heavy duty 300 lb. drawer slides for strength.



Single handed latch operation with lock.

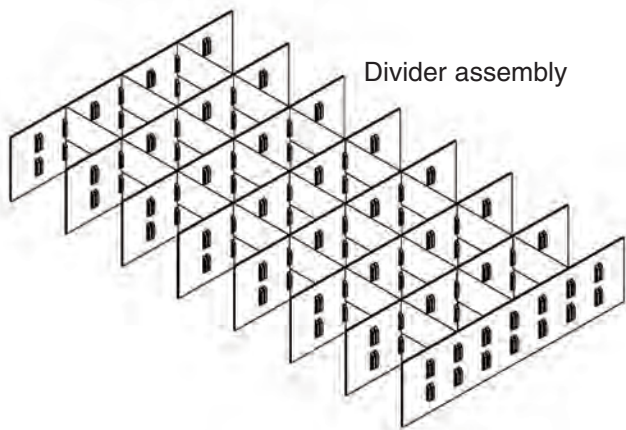


Concealed latching hardware for durability.

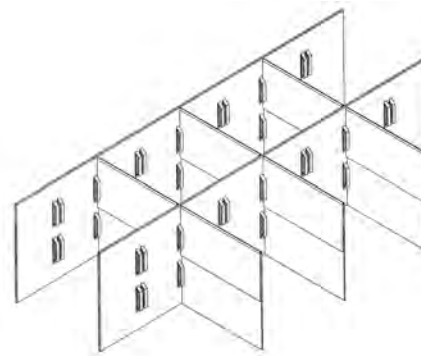


Standard 2.50" riser built-in.

Drawer Divider Assembly



Divider assembly



Divider kit

Stock Number	Description
23444	Divider Assembly Crate 3.00 x 28W Drawer (Consisting of 3 Divider Kits)
23501	Divider Assembly Crate 3.00 x 34W Drawer (Consisting of 4 Divider Kits)
23502	Divider Assembly Crate 5.00 x 28W Drawer (Consisting of 3 Divider Kits)
23503	Divider Assembly Crate 5.00 x 34W Drawer (Consisting of 4 Divider Kits)
23504	Divider Assembly Crate 7.00 x 28W Drawer (Consisting of 3 Divider Kits)
23505	Divider Assembly Crate 7.00 x 34W Drawer (Consisting of 4 Divider Kits)
22846	3" drawer divider kit
22850	5" drawer divider kit
22854	7" drawer divider kit

Divider assemblies are designed to fit the entire drawer width (28" or 34"). The dividers are hemmed and made of 18 gauge steel. The cross dividers are punched to allow divider placement on 2" centers. The divider assemblies are provided to fit American Eagle standard drawer heights of 3", 5" and 7", and American Eagle standard widths of 28" and 34".

The divider kits (part number 22846, 22850 and 22854) are designed to allow customization of all other non-standard drawer widths. One kit includes two punched cross dividers and six short dividers. Count the number of kits required for the particular drawer width and verify the drawer height. Please note that all these dividers fit only the drawers with 18" deep cabinets.



LIMITED WARRANTY: All drawer sets manufactured by American Eagle Accessories Group are warranted to be free of defects in material and workmanship for twelve (12) months from the date of shipment. In addition, the slides and hardware carry a conditional lifetime warranty. American Eagle's liability shall be limited to repair or replacement of defective material within the warranty period when returned freight prepaid to its plant or to a service depot designated by American Eagle Accessories Group. The warranty does not cover damage caused by accident, abuse or faulty installation. American Eagle products must be installed and maintained in compliance with the manual of instructions furnished with each product.

280 West Third Street

P.O. Box 169

Garner, IA 50438

Telephone: 641-923-2425 • 800-392-3015

Fax: 641-923-4889

Internet: www.americaneagleacc.com

E-mail: sales@americaneagleacc.com

Designed & Manufactured in the U.S.A.

*Specifications may change without notification.
Copyright © 2002 American Eagle Accessories Group.