

DVI to VGA HD15 Adapters

Display/Monitor/HDTV/Digital TV Connections

- Ideal for TVs, flat panel displays, VGA monitors and RGB projectors/displays
- Allows connections between a DVI-A or DVI-I device and a VGA/SVGA port on a TV, computer, projector or monitor (analog signals only)
- Fully molded construction
- Black PVC body and overmold
- 100% coverage tinned steel shield
- 24K gold-plated contacts
- Also available:
DVI-A to VGA HD15 Cables
(see next page)



516-005 DVI Female to VGA Male (shown)
516-006 DVI Male to VGA Female

Product Description

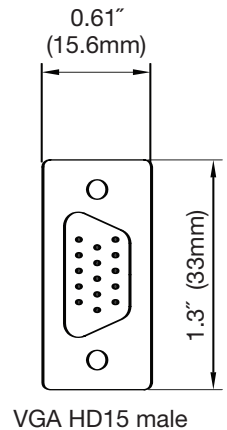
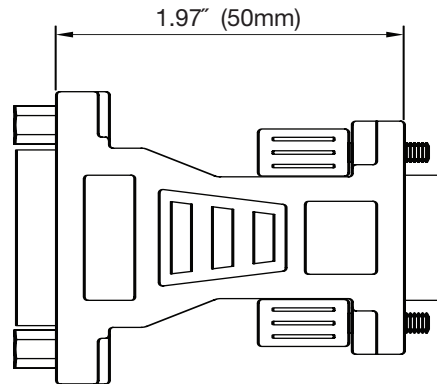
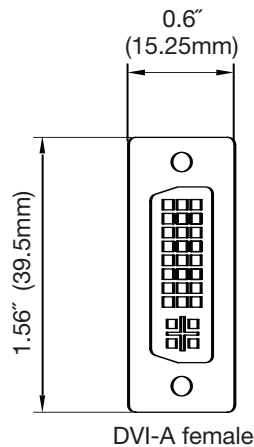
These premium quality adapters offer effective analog video signal transport between VGA/SVGA and DVI compatible devices and provides a reliable connectivity solution for data projectors, flat-panel displays, digital TV sets and displays. Constructed to HD15 VGA/SVGA and DVI specifications, each adapter features gold-plated beryllium copper contacts, a 100% coverage tinned steel shield, a nickel-plated steel connector shell, and a fully molded PVC body and connector overmold.



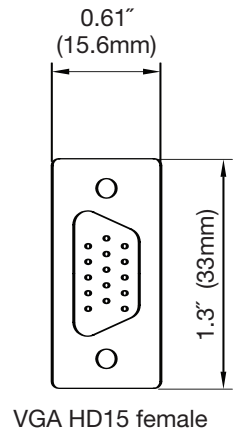
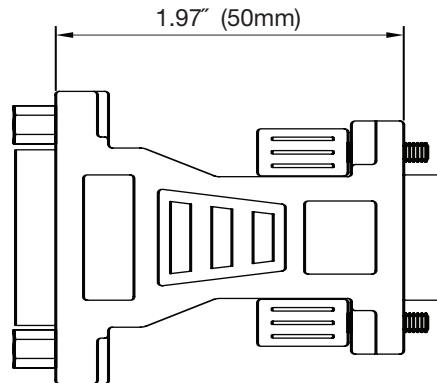
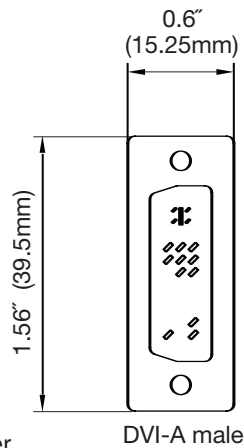
DVI to VGA HD15 Adapters

SPECIFICATIONS

516-005
DVI Female to VGA Male Adapter



516-006
DVI Male to VGA Female Adapter



Mechanical Construction

Connector Overmold: PVC, Black
 Connector Shell: Nickel-Plated Steel
 Shield: Tinned Steel, 100% Coverage
 Dielectric: Polyethylene, Black
 Contacts: Gold-Plated Beryllium Copper

Electrical Properties

Contact Resistance: 20mΩ max
 Shell Resistance: 50mΩ
 Dielectric Strength: 500VAC rms
 Insulation Resistance: 100MΩ min
 Contact Current: 1.5A min
 Applied Voltage: 40VAC rms continuous
 Electrostatic Discharge: 8kV
 Hi-Pot: 500VAC 3sec
 Open/Short: 100% Tested
 Complies with DVI specification v1.0

Related Products

- 516-706BK** 6' DVI-A to VGA HD15 (M/M) Cables
- 516-710BK** 10' DVI-A to VGA HD15 (M/M) Cable
- 516-715BK** 15' DVI-A to HD15 (M/M) Cable
- 516-906BK** 6' HDMI to DVI (M/M) Cable
- 516-910BK** 10' HDMI to DVI (M/M) Cable
- 516-915BK** 15' HDMI to DVI (M/M) Cable

Packaging

Each adapter is sold individually or in quantity.

Ordering Information:

- 516-005** DVI-A to VGA HD15 (F/M) Adapter
- 516-006** DVI-A to VGA HD15 (M/F) Adapter