

HDMI to DVI Adapters

Home Theater/HDTV/Digital TV Connections

- Perfect for HDTV sets, DVD players/recorders, set-top boxes and flat-panel displays
- Provides superior connections between HDMI and DVI-D (single link) devices
- Supports video resolutions up to 1920 x 1080 and data rates to 5Gbps
- Fully molded construction
- Black PVC body and overmold
- 100% coverage tinned steel shield
- 24K gold-plated contacts
- Also available:
HDMI to DVI Cables
(see next page)



Product Description

These premium quality adapters offer an effective digital video signal transmission path between HDMI and DVI-D (single link) compatible devices. They provide a reliable connectivity solution for DVD players, set-top terminals, flat-panel displays, plasma displays and HDTV sets. Constructed to HDMI v1.1 and DVI v1.0 specifications, each adapter features gold-plated beryllium copper contacts, a 100% coverage copper foil shield, a nickel-plated steel connector shell, and a fully molded PVC body and connector overmold.

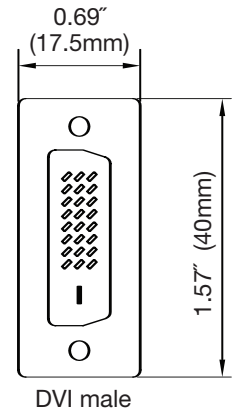
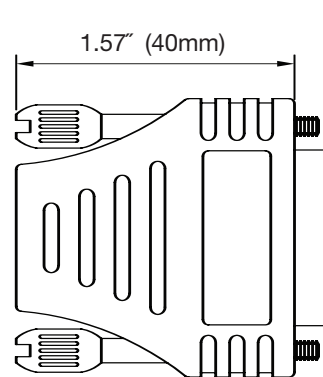
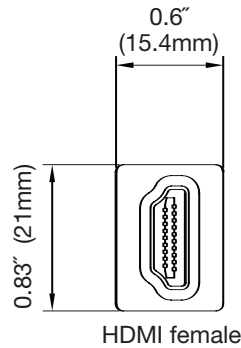
PR-006



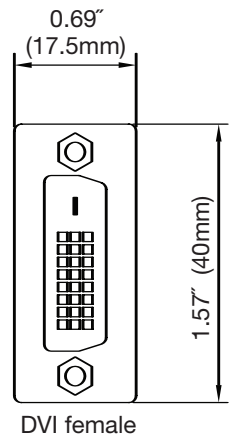
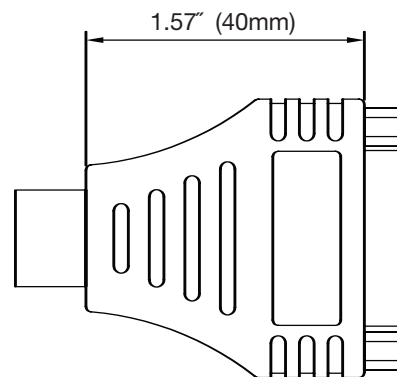
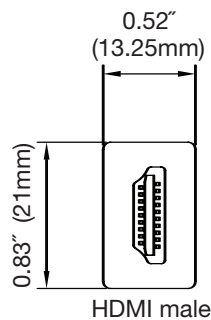
HDMI to DVI Adapters

SPECIFICATIONS

516-007
HDMI to DVI (F/M) Adapter



516-008
HDMI to DVI (M/F) Adapter



Mechanical Construction

- Connector Overmold: PVC, Black
- Connector Shell: Nickel-Plated Steel
- Shield: Copper Foil, 100% Coverage
- Dielectric: Polyethylene, Black
- Contacts: Gold-Plated Beryllium Copper

Electrical Properties

- Contact Resistance: 10mΩ max
- Dielectric Strength: 500VAC rms
- Insulation Resistance: 100MΩ min
- Contact Current: 0.5A min
- Applied Voltage: 40VAC rms continuous
- Electrostatic Discharge: 8kV
- TMDS Impedance: 100Ω ± 15%
- TMDS FEXT: 5% max
- Complies with HDMI specification v1.1 and DVI specification v1.0

Related Products

- 516-005** DVI-A to VGA HD15 (F/M) Adapter
- 516-006** DVI-A to VGA HD15 (M/F) Adapter
- 516-906BK** 6' HDMI to DVI (M/M) Cable
- 516-910BK** 10' HDMI to DVI (M/M) Cable
- 516-915BK** 15' HDMI to DVI (M/M) Cable
- 516-806BK** 6' HDMI (M/M) Cable
- 516-810BK** 10' HDMI (M/M) Cable
- 516-815BK** 15' HDMI (M/M) Cable
- 516-830BK** 30' HDMI (M/M) Cable

Packaging

Each adapter is sold individually or in quantity.

Ordering Information:

- 516-007** HDMI to DVI (F/M) Adapter
- 516-008** HDMI to DVI (M/F) Adapter