

## NEW VISIONMOUNT® IN-WALL BOX

NOW FITS  
MODEL MF215  
FOR MEDIUM TVs



### In-Wall Box for Medium Flat-Panel TVs

#### Model LR1A

- Works with: LRF118, VM400 and MF215
- Allows a flat-panel TV to rest flush against the wall, hiding mounting hardware for a "no profile" look
- Finger adjustable Quick Shims™ allow box to be leveled and secured into place
- Knockouts for cabling and electrical box on top and bottom
- Fits standard 2x4, 16" on center stud framing
- Upgrade available January 2008

LR1A-W1

LR1A-B1

LR1A-S1

MF215-B1

MF215-S1



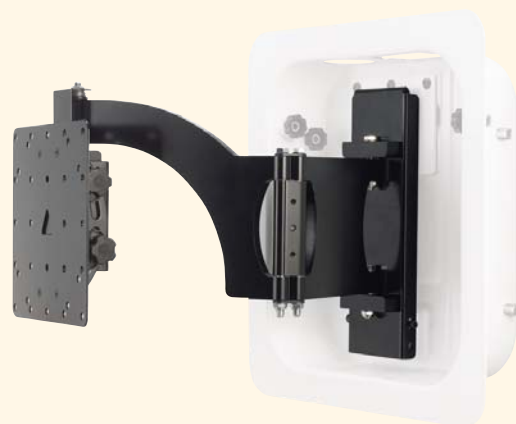
#### Also compatible with:



#### Model LRF118

LRF118-B1

LRF118-S1



#### Model VM400

VM400b-01

VM400s-01

## NEW VISIONMOUNT® SPEAKER MOUNTS

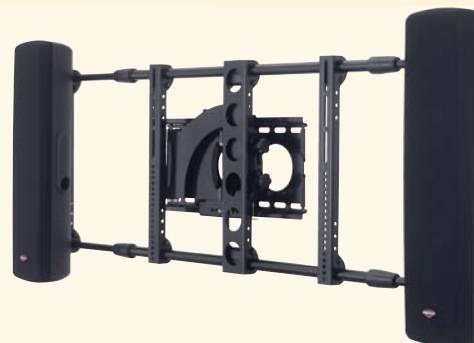
### Side Speaker Mounts for Large Full-Motion Mounts

#### Model LAS1A

- Works with: VMSA, VMAA18, VMAA26, VMCM1, LC1A, LC2A, LRF118
- Allows sound to "move with the TV"
- Universal mounting bracket fits most flat-panel speakers
- Mounted speakers move with TV
- Built-in wire management system conceals wires
- Offers 12" of width extension to provide enhanced sound
- Available now

LAS1A-B1

LAS1A-S1



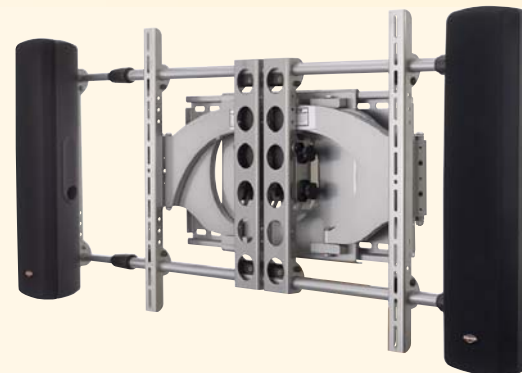
### Side Speaker Mounts for Extra-Large Full-Motion Mounts

#### Model XAS1A

- Works with VMDD26
- Allows sound to "move with the TV"
- Universal mounting bracket fits most flat-panel speakers
- Mounted speakers move with TV
- Built-in wire management system conceals wires
- Offers 12" of width extension to provide enhanced sound
- Available now

XAS1A-B1

XAS1A-S1



### Center Channel Mount for Large and Extra-Large Full-Motion Flat-Panel TV Mounts

#### Model VMCC1

- Works with: VMSA, VMAA18, VMDD26, VMCM1, LRF118
- Can be used with LAS1A and XAS1A Side Speaker Mounts for optimal sound
- Attaches the center speaker to the TV
- Allows sound to "move with the TV"
- Available now

VMCC1b

VMCC1s



VisionMount models VMCC1 and LAS1A-B1 in use