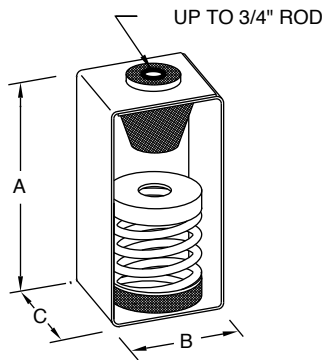
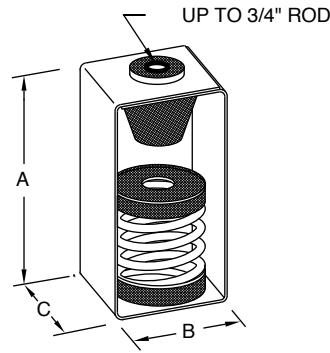


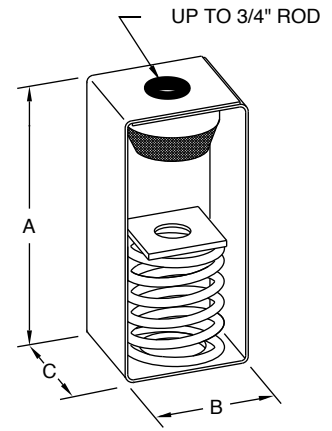
COMBINATION SPRING & NEOPRENE HANGERS



SNRC1 (Fig. 37)



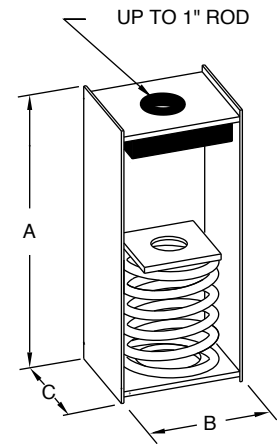
SNRC2 (Fig. 38)



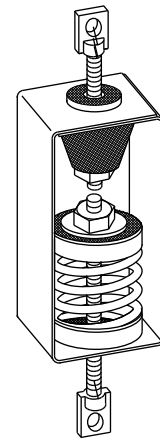
SNRC2, SNRC4,
SNRC6, SNRC10
(Fig. 39)

C20 to C22, F21 to F27 springs: Color coding is identified by color of spring.
All others: Color coding is identified by colored label.

Fig. No.	MODEL NUMBER	COLOR CODE	RATED LOAD	RATED DEFL.	"A"	"B"	"C"	SHIP. WGT.	
37	SNRC1* {	C20	RED	30 #	5 1/2	3	2 1/4	1.8 #	
		C21	GREEN	60 #					1.25"
		C22	BLUE	100 #					
38	SNRC2* {	F21	YELLOW	40 #	6 1/4	3 1/2	2 1/2	2.6 #	
		F22	RED	100 #					1.25"
		F23	WHITE	150 #					
		F24	GREEN	210 #					
		F25	BLUE	300 #					
		F26	ORANGE	400 #					
		F27	BROWN	500 #					
39	SNRC2* {	5	GREEN	530 #	8 1/4	3 1/2	2 1/2	4.3 #	
		6	BLUE	750 #					1.05"
		7	ORANGE	1125 #					1.00"
		8	GOLD	1500 #					1.00"
39	SNRC4* {	F30	SILVER	155 #	8 1/4	3 1/2	2 1/2	5.9 #	
		F31	YELLOW	220 #					2.10"
		F32	RED	310 #					1.95"
		F33	WHITE	420 #					1.80"
		F34	GREEN	540 #					1.65"
		F35	BLUE	710 #					1.50"
		F36	ORANGE	900 #					1.40"
		F37	GOLD	1030 #					1.30"
		F38	RED/SILVER	1275 #					1.25"
		F39	RED/YELLOW	1630 #					1.25"
40	SNRC4 {	F40	RED/WHITE	2100 #	10	4	3	12.5 #	
		F41	RED/GREEN	3000 #				1.25"	
39	SNRC6* {	F60	SILVER	60 #	10 1/4	4	3	6.2 #	
		F61	YELLOW	109 #					3.25"
		F62	RED	155 #					2.97"
		F63	GREEN	210 #					2.83"
		F64	BLUE	275 #					2.57"
		F65	ORANGE	365 #					2.45"
		F66	GOLD	500 #					2.33"
		F67	WHITE	715 #					2.25"
		F68	RED/SILVER	945 #					2.25"
		F69	RED/YELLOW	1190 #					2.25"
39	SNRC10* {	V40	SILVER	40 #	8 1/4	3 1/2	2 1/2	3.8 #	
		V41	YELLOW	80 #					2.25"
		V42	RED	120 #					
		V43	GREEN	180 #					
		V44	BLUE	250 #					
		V45	ORANGE	350 #					



SNRC4 [F40, F41]
(Fig. 40)



Eye sockets can be furnished both top and bottom for SNRC2. When required, add the suffix "E" to model number.

* Metal hanger box zinc-electroplated.

All hangers are designed to allow as much as 30 angular rod misalignment.

All springs are designed to provide additional travel to solid of 50% of rated load.