

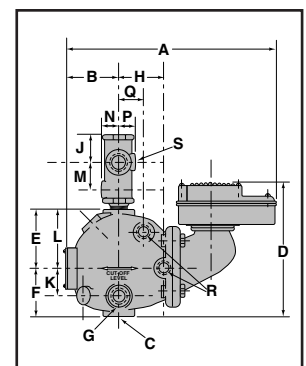
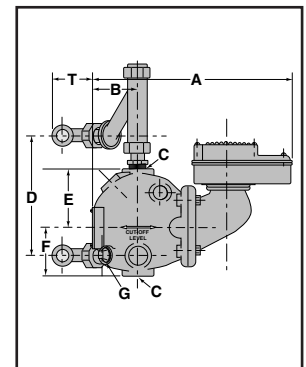
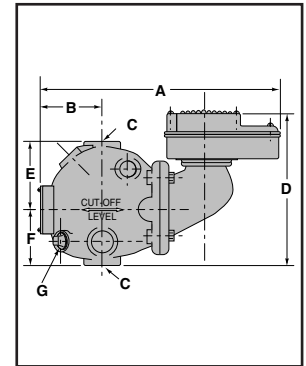
## Low Water Cut-Offs Combination Low Water Cut-Off/Pump Controllers for Steam Boilers

### Series 42S Low Water Cut-Off/Pump Controllers



- For residential, commercial, and industrial low and medium pressure steam boilers with a separate water column
- For boilers of any steaming capacity
- Monel bellows provides corrosion resistance
- Single pole, single throw snap action switches
- Enclosed junction box protects switches
- Optional features
  - Quick hook-up fittings
  - Gauge glass connector
- Maximum pressure 50 psi (3.5 kg/cm<sup>2</sup>)

with  
MERCURY FREE  
Snap-Action Switches



### Electrical Ratings

Voltage	Pump Circuit Rating (Amperes)		Pilot Duty
	Full Load	Locked Rotor	
120 VAC	7.4	44.4	345 VA at 120 or 240 VAC
240 VAC	3.7	22.2	

Alarm Circuit Rating (Amperes)	
Voltage	Amps
120 VAC	1
240 VAC	1/2

### Ordering Information

Model Number	Part Number	Description	Weight lbs. (kg)
42S	129302	Combination low water cut-off/pump controller	15.5 (7.0)
42S-A	129702	42S w/quick hook-up fittings	21.3 (9.7)
42S-N	129802	42S w/glass connector	21.3 (9.7)

### Dimensions, in. (mm)

Model	A	B	C NPT	D	E	F	G NPT
42S	12¼ (311)	2 <sup>9</sup> / <sub>16</sub> (65)	1	8 <sup>7</sup> / <sub>8</sub> (225)	3 <sup>11</sup> / <sub>16</sub> (94)	3 <sup>1</sup> / <sub>8</sub> (79)	½
42S-A	12¼ (311)	2 <sup>9</sup> / <sub>16</sub> (65)	1	7¼-16 <sup>11</sup> / <sub>16</sub> (184-347)	2 <sup>3</sup> / <sub>4</sub> (45)	3 <sup>1</sup> / <sub>8</sub> (79)	½
42S-N	12¼ (311)	2 <sup>9</sup> / <sub>16</sub> (65)	1	8 <sup>7</sup> / <sub>8</sub> (225)	3 <sup>11</sup> / <sub>16</sub> (94)	3 <sup>1</sup> / <sub>8</sub> (79)	½

Model	H	J	K	L	M	N	P	Q	R NPT	S NPT	T
42S-N	2 <sup>9</sup> / <sub>16</sub> (65)	2 <sup>9</sup> / <sub>16</sub> (65)	1¾ (45)	3 <sup>11</sup> / <sub>16</sub> (94)	1 <sup>13</sup> / <sub>16</sub> (46)	1 <sup>1</sup> / <sub>16</sub> (27)	1 <sup>1</sup> / <sub>16</sub> (27)	1½ (38)	¾	¼	2 <sup>5</sup> / <sub>8</sub> (67)