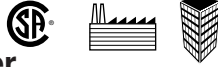
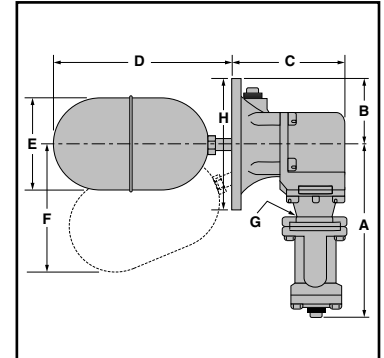


Water Feeders – Make-Up

Series 21 Make-Up Water Feeder



- For boiler receiver tanks
- Direct mounting eliminates need for equalizing connections
- Proportional feed action
- Mounting Flange – six $\frac{7}{16}$ " (11.1mm) bolt holes on a $5\frac{3}{4}$ " (146mm) bolt circle
- Soft seat provides positive seal
- Maximum water supply pressure 150 psi (10.5 kg/cm²)
- Maximum inlet water temperature 120°F (49°C)
- Maximum vessel pressure 35 psi (2.5 kg/cm²)

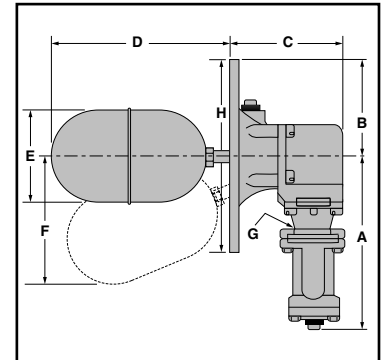


Dimensions, in. (mm)

A	B	C	D	E	F	G NPT	H
8½ (216)	3 ⁵ / ₁₆ (84)	5 ⁵ / ₈ (143)	8 ¹³ / ₁₆ (224)	4 ³ / ₄ (121)	6¼ (159)	¾	7 ³ / ₈ (186)

Series 221 Make-Up Water Feeder

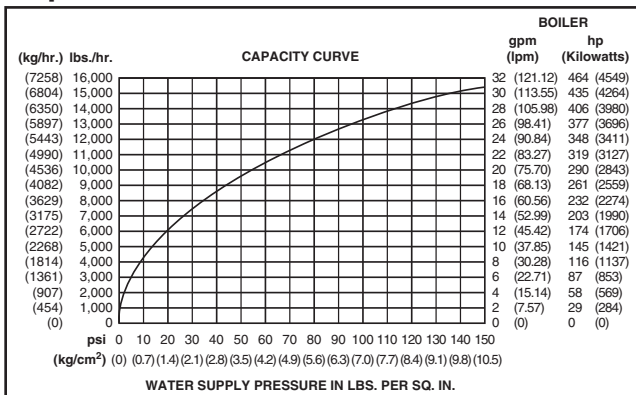
- For boiler receiver tanks
- Direct mounting eliminates need for equalizing connections
- Proportional feed action
- Mounting Flange – six $1\frac{7}{32}$ " (13.5mm) bolt holes on a $8\frac{1}{2}$ " (216mm) bolt circle
- Soft seat provides positive seal
- Maximum water supply pressure 150 psi (10.5 kg/cm²)
- Maximum inlet water temperature 120°F (49°C)
- Maximum vessel pressure 35 psi (2.5 kg/cm²)



Dimensions, in. (mm)

A	B	C	D	E	F	G NPT	H
8½ (216)	4 ¹¹ / ₁₆ (84)	5 ⁵ / ₈ (143)	8 ¹³ / ₁₆ (224)	4 ³ / ₄ (121)	6¼ (159)	¾ (20)	9½ (241)

Capacities



Ordering Information

Model Number	Part Number	Description	Weight lbs. (kg)
21	126400	Make-up water feeder	15.3 (6.9)
221	126600	Make-up water feeder	21.3 (9.7)