



**Classic 72" Oval Whirlpool Bathtub**  
Cast Acrylic

**FEATURES**

• **2381W Grand Oval**

2381W Grand Oval acrylic rectangle 72" x 42" x 22" (nominal) features a roomy oval bathing well, four ultrassage color coordinated jets in regular colors, chrome in others, two lumbar jets, two air volume controls, an on/off air switch button, two acrylic handrails and 1 HP self draining whirlpool pump motor.

The Grand Oval is thermoformed from a single sheet of continuous cast, cross linked high gloss acrylic and reinforced with a composite matrix. This unit shall have a backside fire rating of "A" and a Flame Spread of 25.

Electrical cord and plug included with unit.

• **2381 Grand Oval**

Soaking tub.

**NOTES**

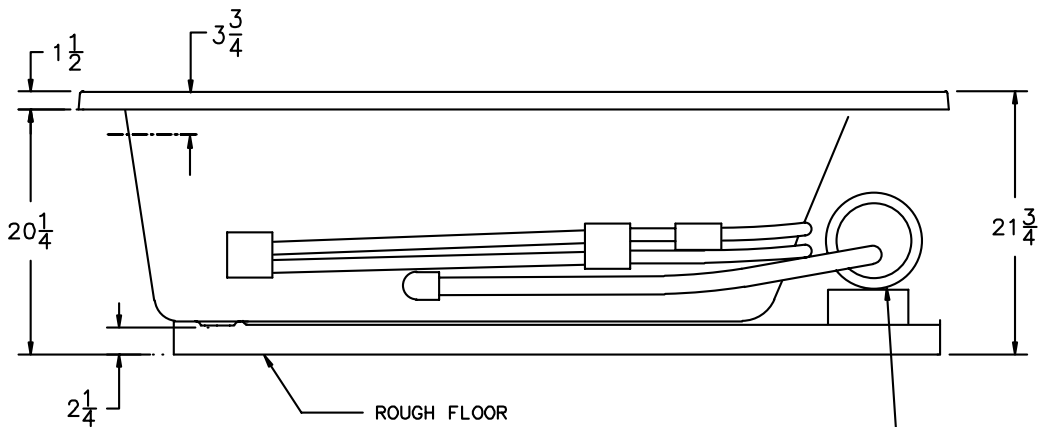
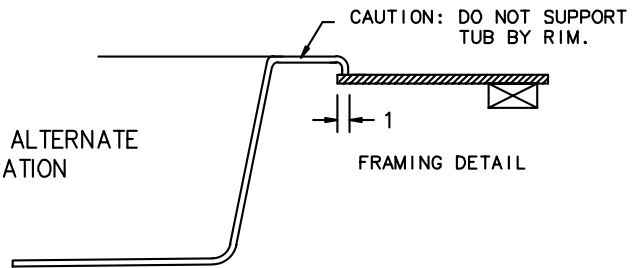
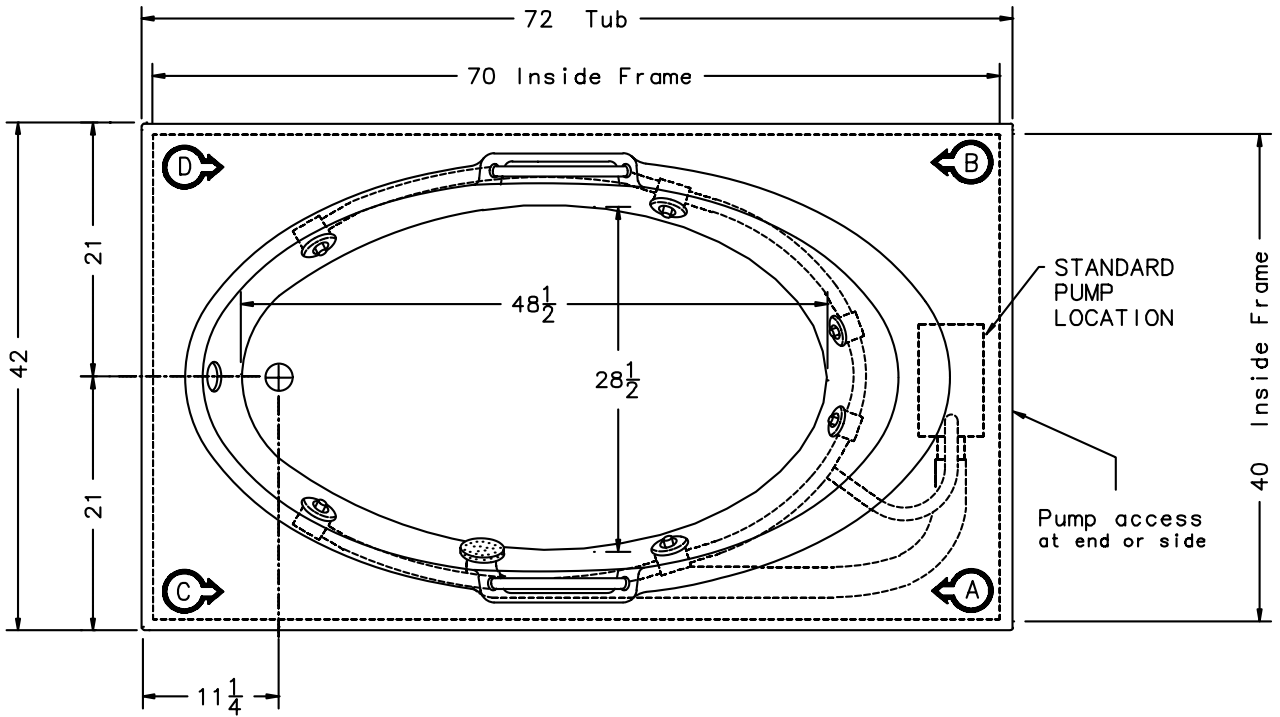
- **Dimensions:** Length 72", Width 42", Height 21 3/4"
- **Dry Weight:** 100 lbs.
- **Wet Weight:** 633 lbs.
- **Water Capacity:** 64 Gallons
- **Operating Capacity:** 37 lbs.
- **Shipping Weight:** 168 lbs.
- **Certifications:** ANSI Z124.1, U.L.-1795, IAPMO

**OPTIONS**

- Apron model SK7220 for alcove installation.
- 1.5 kw single-unit in-line heater. (HT2)
- Jet Trim Kits: Chrome or polished brass. (JTK 42)
- Extended Waste & Overflow: Chrome or polished brass. (6009)
- Underwater mood light. (ML1)
- Tiling Flange Kit. (FK72)
- Pulsating pillow. (PP1)
- Adjustable foot massage jets. (AFMJ1)
- Upgrade to variable speed motor with electronic touch control. (VSETC1)
- Alternate pump location. (APL)
- Lucite® acrylic sheet containing Microban® antimicrobial product protection. Available in white and bone only. (MBP)

Lucite is a registered trademark of INEOS Acrylics, Inc. Microban is a registered trademark of Microban Products Company, Huntersville, NC.





WATER PUMP  
-120 VOLTS, 10 AMPS  
-ACCESS FROM PUMP END TO TUB  
-PROTECT CIRCUIT WITH GFI (CLASS A)