



Features

- Environmentally Friendly
- Push Lever Down for High Efficiency Flush [1.1 gpf / 4.0 lpf]
- Push Lever Up for Full Flush [1.6 gpf / 6.0 lpf]
- Powerful and Quiet EcoFlush™ Pressure Assist Flushing Technology
- Qualifies for One [1] LEED Point
- Wider BigFoot™ Base for Excellent Retrofit Installations
- No Tank Sweating or Flapper Leaking
- 12" [305 mm] Rough-in
- 2" [51 mm] Fully Glazed Trapway
- Air Activated, Dual-Function, Left Hand, Polished Chrome, Trip Lever for an Easy-Touch Flush
- Available in White, Bone and Biscuit
- Limited Lifetime Warranty



Shown with 8080 "Lift 'n' Clean" toilet seat

Model

Description

38345	Elongated front, two-piece toilet combination. 12" [305 mm] rough-in. Includes EcoFlush™ pressure assist vessel and side mount, left hand, polished chrome, trip lever. Less toilet seat and supply.
31125	Elongated front, toilet bowl. 12" [305 mm] rough-in. Less toilet seat.
31500	Tank and lid only with EcoFlush™ pressure assist vessel and side mount, left hand, polished chrome, trip lever. Less supply.

Optional Tanks

31501	Same as 31500, except with right hand trip lever
31500TP	Same as 31500, except with tamper proof locking lid
31501TP	Same as 31501, except with tamper proof locking lid



31501 Right hand trip lever

The Green Building / LEED programs was created to provide contractors, building engineers, developers and architects with incentives or rewards for utilizing energy saving and water conservation products in the construction or renovation of their buildings. The LEED program provides points or credits that can be used to offset elements of the construction that would be debits against the property. Using a 1.6 gpf / 6.0 lpf toilets as the baseline, a HET toilet or HEU urinal that has a minimum average water savings of 20% can earn one [1] LEED point, or a minimum water savings of 32% can earn two [2] LEED points.

ECO|FLUSH

EcoSolutions®
The Green Choice



High Efficiency Toilet
HET



This fixture qualifies according to ASME test procedures as a high efficiency toilet (HET) with an average consumption of 1.28 gpf / 4.8 lpf or less with a minimum water savings of 20%.

Specifications

Water Pressure Range: 20 to 80 P.S.I.

Flush System: Dual Flushing Technology

Water Usage: 1.1 gpf / 4.0 lpf or 1.6 gpf / 6.0 lpf

Water Surface Area: 10-7/8" x 8-3/8"

[276 mm x 213 mm]

Trap Diameter: 2" [51 mm]

Water Seal: 2-1/2" [64 mm]

Shipping Cubes:

31125 Bowl: 2.9 ft³ [.08 m³]

31500 Tank: 2.5 ft³ [.07 m³]

Shipping Weight:

31125 Bowl: 42 lbs [19 kg]

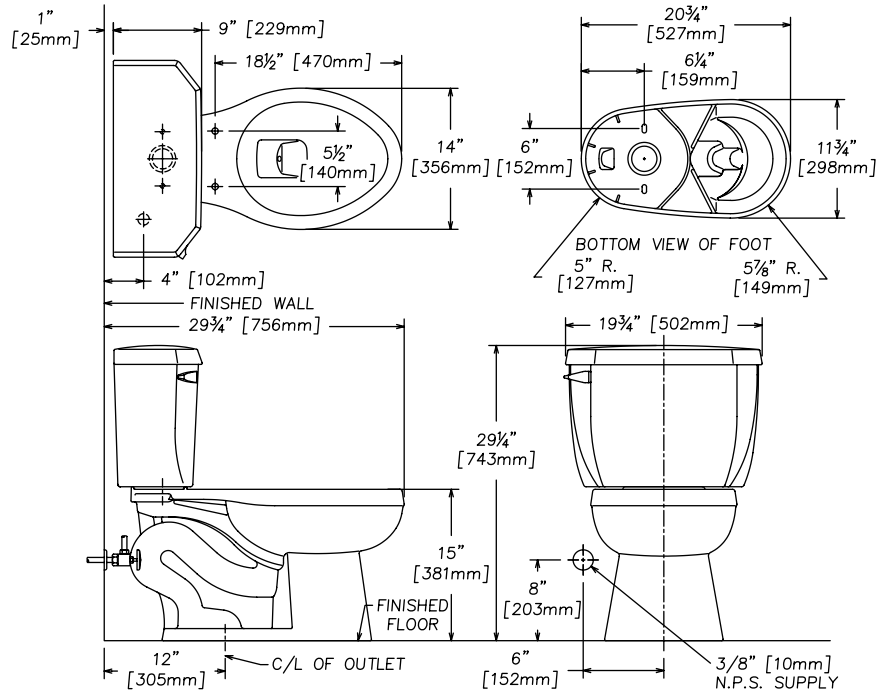
31500 Tank: 42 lbs [19 kg]

Warranty:

Vitreous China - Limited Lifetime

Vessel - Ten Year Limited

Parts - One Year Limited



IMPORTANT: These dimensions are nominal and may vary within the range of tolerances established by ASME Standard A 112.19.2.

Features and Upgrades



P030219 - Left hand trip lever

P030223 - Right hand trip lever

Pressure assist vessel with dual flush operation 1.1 gpf/4.0 lpf or 1.6 gpf/6.0 lpf. Save up to 40% more water than conventional toilets.



P030374 - Left hand trip lever

Dual flush operation. Lift up for 1.1 gpf/4.0 lpf or push down for 1.6 gpf/6.0 lpf. Available in Polished Chrome [068], Polished Brass [070], Satin Nickel [094] and Oil Rubbed Bronze [097].



P030375 - Right hand trip lever

Dual flush operation. Lift up for 1.1 gpf/4.0 lpf or push down for 1.6 gpf/6.0 lpf. Available in Polished Chrome [068], Polished Brass [070], Satin Nickel [094] and Oil Rubbed Bronze [097].



8080

Elongated "Lift 'n' Clean" toilet seat. Seat components can be removed for easier cleaning.

Customer Service United States
41 Cairns Road
Mansfield, OH 44903
Email: customerservice@craneplumbing.com

Customer Service Canada
15 Crane Ave.
Stratford, ON N5A 6T3
Email: sales@craneplumbing.com

www.cranepumbing.com

www.cranepumbing.ca