

**you** always have an  
**amazing  
view**

PlasmaSync® 42XM2/S, 50XM3/S, 61XM2/S. Residential displays.

Imagine a flawless reproduction of your favorite view as you sit back in your most comfortable chair. NEC's PlasmaSync residential displays deliver vivid colors and absolute clarity for pure enjoyment.

It's inspiring.

Empowered by Innovation

**NEC**

true HDTV resolution

Capsulated Color Filter™ technology

AccuCrimson™



Advanced AccuBlend™

multiple aspect ratio control

AccuShield™ phosphor protection

just one look.

Re-energize your eyes while being captivated by NEC's PlasmaSync residential plasma displays. The image is so powerful and engaging you won't believe what you are seeing. Engineered to be the definitive multimedia home theater, the PlasmaSync residential plasma displays provide superior image quality, realistic colors, broad compatibility, flexible connections and built-in stereo-audio. Simply put, they can place your programs center stage and keep you on the edge of your seat.

superior image quality.

Designed specifically for residential use, the PlasmaSync combines **true HDTV resolution** and NEC's outstanding image quality to give you the definitive tool for watching images with power and clarity. Our exclusive **Capsulated Color Filter technology** provides extremely realistic and saturated colors as well as enhanced contrast. Color realism is enhanced by **AccuCrimson**, a filter technology that produces the purest shade of red possible in a plasma display.

NEC's **Advanced AccuBlend** scan conversion provides precise interpolation of information ranging from video, HD and PC signals in **multiple aspect ratio modes**. This enables the plasma to display clear, readable images even in non-native resolutions.

And **AccuShield phosphor protection system** helps your screen stay protected from image retention with the most comprehensive set of built-in modes including programmable Orbiter, Inverse RGB, All-White, Pixel Refresh, Brightness Limiter and Soft Focus.

never compromising  
technology for  
style



broad signal and source compatibility .

The PlasmaSync residential plasma displays let you connect to and display signals from virtually any input source. They are compatible with conventional video formats including NTSC and also support all major HDTV standards. This is complemented by a comprehensive input panel with connections for up to 8 different sources including a 25-pin DVI digital input connector that supports HDCP and three assignable audio inputs.

advanced video processing.

Thrilling performances start with amazing action and the PlasmaSync residential plasma displays draw you into to it with real life clarity. Mass Area Superior Sampling (MASS) delivers high quality images and allows smooth reproduction for clear, precise color by eliminating jagged lines and color bleeds. Finally, proper scaling is selected for the input signal resolution resulting in the most accurate image reproduction possible. The new Scan Converter changes input signals in accordance with the resolution of the display. This makes a dramatic difference resulting in even the smallest of details being perfectly clear. The motion-compensated 3D scan conversion provides smooth, lifelike display of video sources and a 3-2 pull down converter enhances the appearance of content originally produced in 24 frame/second film.

And to go even further to achieve ultimate color using our Color Tune Technology. It is now possible to adjust individual colors without affecting the white balance. Fine tune the blues in skies or the greens in the trees. You'll experience all the rich textures from outdoors into your living room. Control even the darkest of images using the Gamma-12 feature. With over 4,000 shades of gray you can manage the picture's brightness and enhance the image's overall quality.

Color Temperature controls the tone of the whites in the image. Four preset modes are available which select a specific color temperature. If finer adjustments are needed simply switch into the professional mode for more advanced tuning.



sleek silver design.

The minimal size of the silver bezel ensures that the focus is always on the image and not on what is framing it.

built-in stereo audio.

NEC has included an internal 8 watt (42XM2/S) or 9 watt (50XM3/S and 61XM2/S) stereo amplifier and optional external speakers that attach to the sides of the display to provide a seamlessly integrated audio solution.

c r i s p , c l e a r , c l a r i t y



easy to use.

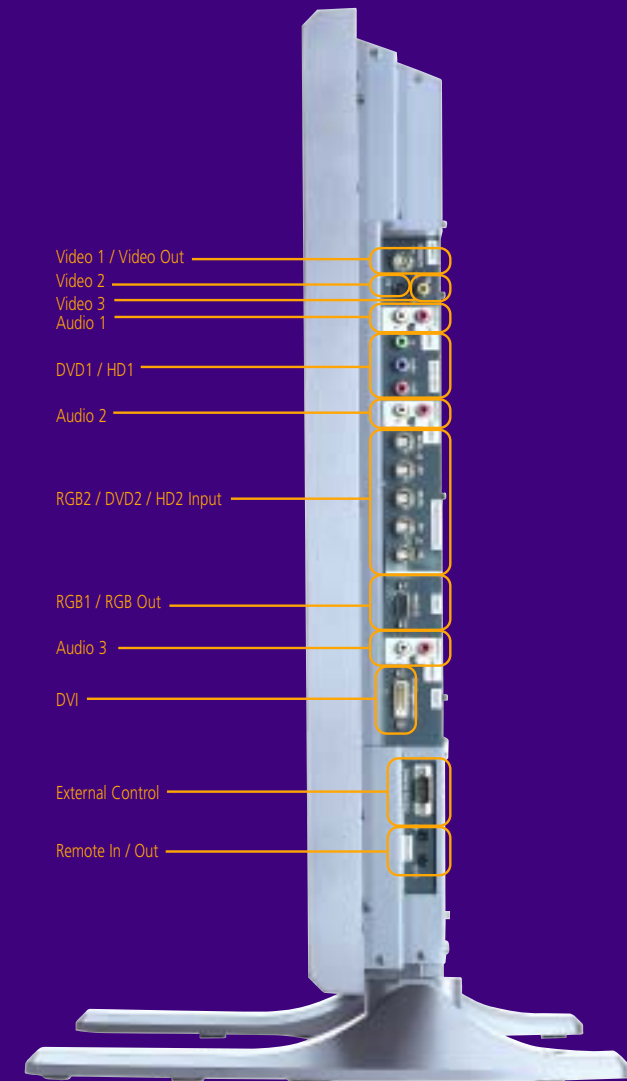
A wired/wireless handheld remote control and convenient front bezel controls provide access to all display functions via an intuitive, easy to navigate on-screen menu system. Plus, complete RS232 external control is available for every display function. The RS232 system provides two-way communication to verify the execution of commands.

quiet operation.

Engineered with silence as a priority these displays produce a noise level of only 22dB, these XGA models perform quietly in any environment resulting in the message being heard.

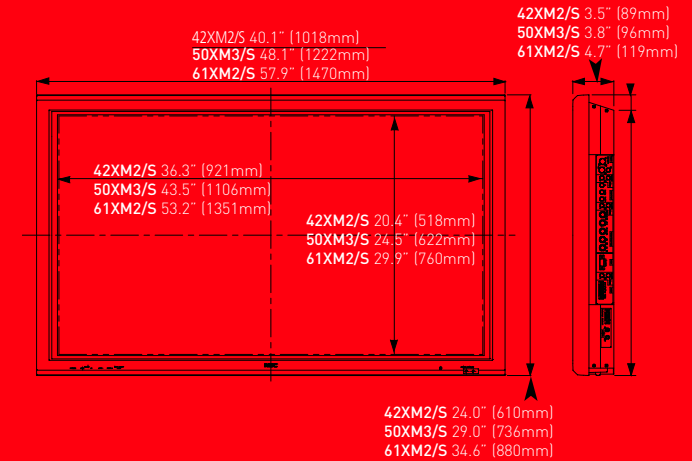
service and support.

The PlasmaSync series is supported by NEC's industry leading service and support programs.



## Specifications

Model Number	PX-42XM2A/S PX-50XM3A/S PX-61XM2PA/S	Diagonal Screen Size 42" Diagonal Screen Size 50" Diagonal Screen Size 61"
Screen Aspect Ratio	16 to 9	
Active Screen Area	42XM2/S 50XM3/S 61XM2/S	36.3 in x 20.4 in, 921mm x 518 mm 43.5 in x 24.5 in, 1106 mm x 622 mm 53.2 in x 29.9 in, 1351 mm x 760 mm
Native Pixel Resolution	42XM2/S at 1024 x 768 50XM3/S and 61XM2/S 1365 x 768	
Pixel Pitch	42XM2/S 50XM3/S 61XM2/S	0.897mm x 0.675mm 0.81mm x 0.81mm 0.99mm x 0.99mm
Capsulated Color Filter	Yes	
Accurimron	Yes	
Front Filter Type	AR - Anti reflection	
Color Processing	(4096 Steps) 68.7 billion colors	
Viewing Angle	160 degrees	
Horizontal Frequency Range	15.5 to 110.0 kHz auto, step scan	
Vertical Frequency Range	50 to 120 Hz auto, step scan	
Video Signal Compatibility	PAL, SECAM, 3.58/4.43 NTSC	
HD Video Signal Compatibility	480p, 480i, 525p, 525i, 540p, 625p, 625i, 720p, 1035i, 1080i	
PC Signal Compatibility	VGA 640x480 @ 60, 72, 75, 85, 100, 120 Hz, SVGA 800x600 @ 56, 60, 72, 75, 85, 100, 120 Hz, XGA 1024x768 @ 60, 70, 75, 85, 100 Hz, SXGA 1280x1024 @ 60, 75, 85, 100 Hz, UXGA 1600x1200 @ 60, 65, 70, 75, 85 Hz, WideVGA 848x480, 852 x 480 @ 60 Hz, WideXGA 1360 x 765 @ 60 Hz, 1280 x 768 @ 60 Hz	
Macintosh Compatibility	640x480, 832x624, 1024x768, 1152x870	
Input/Output Terminals	Video 1 Video 2 Video 3 HD Video 1 HD Video 2 RGB 1 (analog) RGB 2 (analog) RGB 3 (digital) Audio	Composite BNC x 1 (common use with Video out, selectable) Composite RCA x 1 S-Video 4-Pin DIN 1 set RCA Component (Y,Pb,Pr/Y,Cb,Cr) 1 set BNC Component (Y,Pb,Pr/Y,Cb,Cr) (common use with 5BNC Y/Pb/Pr input, selectable) 15-pin mini D-sub (common use with RGB out, selectable) 5 BNC (RGB/HV) (common use with 5BNC Y/Pb/Pr input, selectable) 24-pin DVI-D HDCP (EIA/CEA-861-A) compatible 3 sets RCA stereo + external speaker jacks
Audio	50XM3/S and 61XM2/S 42XM2/S	Internal amplifier, 9W x 2 output power Internal amplifier, 8W x 2 output power
External Control	9-pin mini D-Sub, RS232	
User Controls	Direct Access Remote Control OSM	Power on/off, input selection, volume up/down, OSM access Power on/off, input select, volume, mute, wide, display, off-timer, OSM control, cursor, pointer, zoom, auto, select Picture - Contrast, brightness, sharpness, color, tint, color temperature, white balance, picture mode, noise reduction, gamma, low tone and color tune Audio - bass, treble, balance and audio input Image Adjust - aspect ratio mode, vertical position, horizontal position, vertical height, horizontal width, fine picture, picture adjust, auto picture Option 1 - OSM on/off, BNC Input, D-sub Input, RGB select, HD select, Input Skip, All Reset Option 2 - Pwr. Management, Cinema Mode, Long Life Mode Option 3 - Timer, Pwr. On mode, Control Lock, IR Remote, Loop Out, ID Number, Video Wall Advanced OSM, Language, Color System, Source Information
Power Requirements	120V 50/60 Hz	
Power Consumption	42XM2/S 50XM3/S 61XM2/S	350W Typical, 4.6 Amp Maximum 480W Typical, 6.9 Amp Maximum 540W Typical, 6.7 Amp Maximum
Standby Power	0.9W	
Dimensions (WxHxD)-w/out base	42XM2/S 50XM3/S 61XM2/S	1018 x 610 x 89mm, 40.1 x 24.0 x 3.5 inches 1222 x 736 x 96mm, 48.1 x 29.0 x 3.8 inches 1470 x 880 x 119 mm, 57.9 x 34.6 x 4.7 inches
Weight	42XM2/S 50XM3/S 61XM2/S	29.5 kg, 65.0 lbs. (without tabletop stand) 43.8 kg, 96.4 lbs. (without tabletop stand) 61.0 kg, 134.2 lbs. (without tabletop stand)
Environmental Considerations	Operating Temperature Operating Humidity Operating Altitude Storage Temperature Storage Humidity Storage Altitude	32 - 104 degrees F (0 - 40 degrees C) 20 - 80% 0 - 9180 feet (0 - 2800m) 14 - 122 degrees F (-10 - 50 degrees C) 10 - 90% 0 to 9840 feet (0 - 3000m)
Regulatory	FCC part 15 Class B, ANSI C63.4-1992, UL6500 Second Edition, CAN/CSA-E60065-00, UL60950 Third Edition, CSA C22.2 No.60950	
Included Accessories	AC Power Cord, User Manual, Remote Control, Batteries, Cable Clamps	
Optional Accessories	Tabletop Stand Attachable Speakers Input Terminal Cover Fixed Wall Mount Tilt Wall Mount Ceiling Mount	42XM2/S: PX-ST1U/S 42XM2/S: PX42SP1U/S 42XM2/S: PX-CV1U 42XM2/S: FWMK 42XM2/S: TWMK 42XM2/S: CMK 50XM3/S: PX-ST1U/S 50XM3/S: PX-50SP1U/S 50XM3/S: PX-CV1U 50XM3/S: FWMK 50XM3/S: TWMK 50XM3/S: CMK 61XM2/S: PX 61ST1U/S 61XM2/S: PX-61SP1U/S 61XM2/S: PX-CV2U 61XM2/S: 61FWMK-1 61XM2/S: 61TWMK-1 61XM2/S: 61CMK



For more information, call (800) NEC-INFO or visit [www.necvisualsystems.com](http://www.necvisualsystems.com)

NEC is a registered trademark of NEC Corporation. All other trademarks are the property of their respective owners. All specifications subject to change without notice.

NEC Solutions (America), Inc.  
Visual Systems Division  
1250 Arlington Heights Rd., Suite 400  
Itasca, IL 60143-1248