

PlasmaSync® 61MP1



bigger is better with
NEC's 61" plasma monitor

Empowered by Innovation

NEC

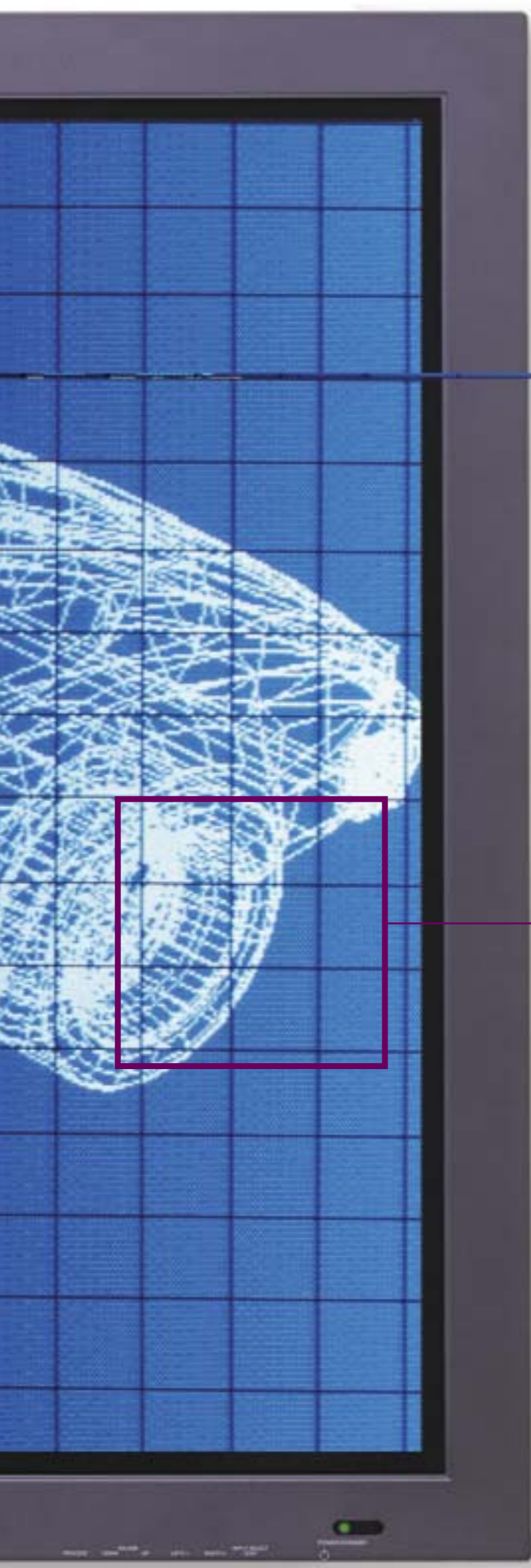
PlasmaSync® 61MP1

Exclusive technologies for precise display

Superior resolution and image quality

The PlasmaSync 61MP1 delivers the outstanding image quality you expect from NEC. It starts with a 1365 x 768 native panel resolution that meets the industry standard for true 16:9 Wide XGA computer graphics to provide superior high-resolution capability. The 61MP1 includes NEC Capsulated Color Filter technology that provides extremely realistic and saturated colors as well as enhanced contrast. Advanced AccuBlend scan conversion provides precise display of computer-based information from non-native resolutions. A motion-compensated 3D scan converter delivers smooth, lifelike display of video sources and an improved 3-2 pull down converter provides excellent display of video content originally recorded in 24 frame/second film.

Additionally, a combination of exclusive new technologies have been incorporated that enhance the sharpness, clarity and color reproduction of the panel. Advanced Mass Area Sampling widens the sampling area horizontally and vertically to straighten diagonal lines and reproduce curved lines more smoothly for a clear and precise image. For computer sources, a scan converter with an Optimum Conversion process for signals up to UXGA is included. NEC has the latest video processing circuitry which uses a new algorithm to reduce false color contours plus a 10-bit conversion process for more precise reproduction of shades of black delivers dark scenes with details that are sharp and distinct.



Ultimate size, Ultimate impact

NEC sets a new benchmark for large screen size and outstanding image quality with the PlasmaSync 61MP1, the first plasma monitor to break the 60" barrier. No matter how you look at it, the PlasmaSync 61MP1 makes a big impression and at 61 inches it stands out as an industry first for large-sized plasma monitors. It's 61" screen delivers a huge display area of nearly 1600 square inches – nearly 50% more than a 50" screen.

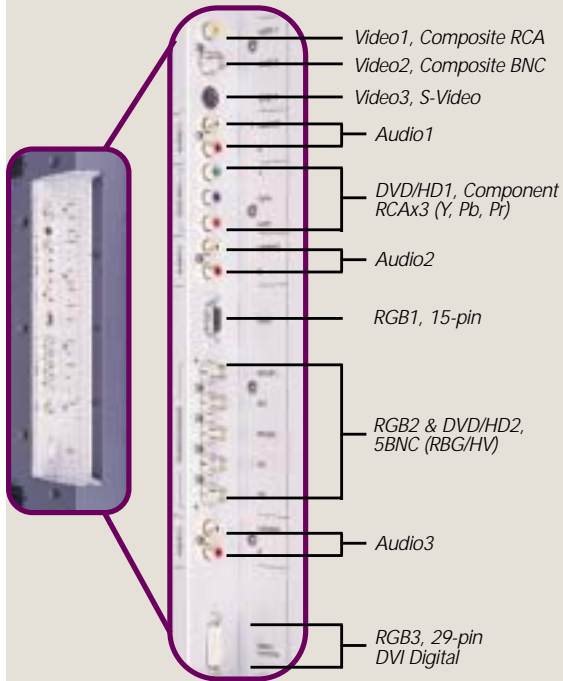
And its images are as beautiful as they are big. As part of the NEC Multimedia Presentation Series of plasma monitors, the 61MP1 is optimized to provide superior image quality for professional multimedia applications. With enhancements such as Capsulated Color Filter technology and sophisticated new signal processing, scan conversion and sampling technologies built-in, the 61MP1 delivers vivid colors and sharp detail for images that are absolutely stunning.

The PlasmaSync 61MP1 is designed specifically for professional multimedia and business communication use.

- Conference room presentation
- Boardroom AV systems
- Videoconferencing
- Training
- Broadcast post-production/editing/playback

With superior high-resolution support the 61MP1 is also ideal for:

- Control rooms
- Network operation centers
- CAD design/visualization/presentation
- Rental & staging



Comprehensive input panel includes connections for up to 8 different sources including a 29-pin DVI digital input connector and three assignable audio inputs. RS232, control lock and remote control jack are located on a separate connector panel on the bottom of the cabinet.

Broad Signal and Source Compatibility

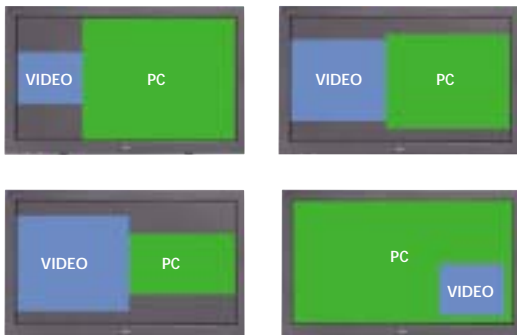
Being optimized for multimedia means that the 61MP1 can connect to and display signals from virtually any input source – whether it's computer, conventional video or HDTV. With eight separate inputs it can accommodate virtually any source equipment that you would want to connect.

SOURCE	INPUT OPTIONS	SIGNAL STANDARD
RGB	15-pin mini D-Sub	VGA – UXGA Computer, Component Video
RGB	5 BNC (RGB/HV)	VGA-XVGA Computer, Component Video, HDTV
Digital RGB	29-pin DVI-D	VGA – UXGA Computer
Composite Video	RCA BNC	NTSC (3.58, 4.43), PAL, PAL60, SECAM
S-Video	4-pin DIN	SVHS
DTV/HDTV	3X RCA BNC	480i, 480p, 540p, 625i, 625p, 720p, 1035i, 1080i
Audio	3X Stereo RCA	Assignable via OSM
Control	9-pin	RS232C

Ultimate presentation tools

The PlasmaSync 61MP1 includes unique capabilities that enhance its effectiveness as tool for professional presentation purposes. With a Split Screen Display capability, Digital Zoom and generating only 22 decibels of fan noise for undetectably silent operation, the 61MP1 helps you communicate your message like no other plasma monitor can.

NEC has unique Split Screen capability which allows simultaneous display of a computer and video sources. Choose from up to 8 different configurations with a simple touch of a button on the remote control.



With Digital Zoom you can select a portion of the screen image and enlarge it up to 9 times with the touch of a button on the remote control.



Split Screen Display

The PlasmaSync 61MP1 Split Screen allows simultaneous display of multiple input sources. More than a simple picture-in-picture, split screen lets you position computer and video images in different configurations around the screen to support videoconferencing, workgroup collaboration and host of other multi-tasking uses. Split Screen also gives you a solution for displaying 1024x768 XGA computer sources by allowing you to display them in their standard 4:3 aspect ratio.

Digital Zoom

With its Digital Zoom the 61MP1 allows you to select a portion of the screen and magnify it up to nine times to highlight information or emphasize a point. This is a presentation tool you won't find on any other plasma monitor.



Inverse Mode inverts red, green and blue color values to precisely even wear on phosphor and remove the perceptible effects of image retention.

AccuShield™ Phosphor Protection System

NEC exclusive AccuShield Phosphor Protection System provides three operating modes that can help prevent phosphor burn or minimize its perceptible effects if it does. When used in conjunction with simple operating guidelines, AccuShield's PLE Brightness Limiter, Image Orbiter and Inverse RGB Mode can extend the usable life of the monitor.



Optional external speakers can be attached to the monitor to provide a seamless audio option for wall-mounted installations.

Powerful Stereo Audio

The PlasmaSync 61MP1 includes powerful audio capabilities with an internal 7-Watt stereo amplifier and optional external speakers. External speaker terminals and three assignable audio inputs give you the flexibility to connect to available room sound systems and source audio if you need more power than the internal amplifier provides.



Flexible Mounting Configurations

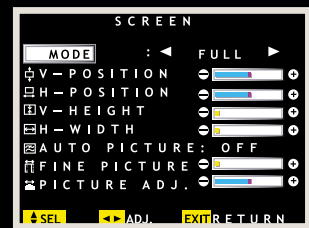
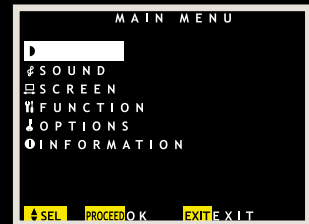
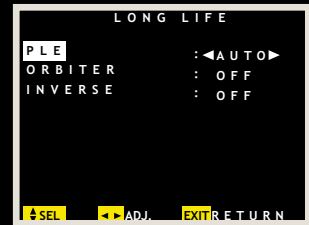
The PlasmaSync 61MP1 can be mounted in either horizontal or vertical orientation for maximum flexibility in displaying your messages.

Superior Service and Support

The PlasmaSync 61MP1 is supported by NEC Technologies industry-leading service and support programs. It comes with a standard 1-year manufacturer's warranty plus an extended warranty option that provides two additional years of coverage and is available from your authorized NEC Visual Systems dealer.



Wired/wireless hand-held remote control provides access to all monitor functions via an intuitive on-screen menu system.



Comprehensive Control Options

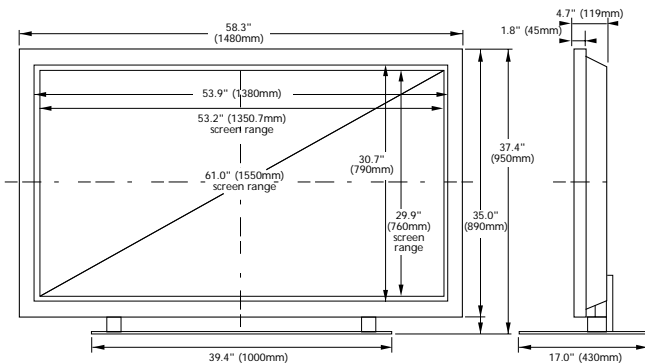
The PlasmaSync 61MP1 offers a full set of control options. A comprehensive on-screen menu system provides complete control of all monitor functions and is accessible from a handheld remote or convenient front-bezel controls. On-screen menus are easy to navigate and intuitive to use. Plus, if you wish to set-up and operate the 61MP1 from a PC or a remote location, complete RS232 control is available for each monitor function.

Choose Your Screen Size

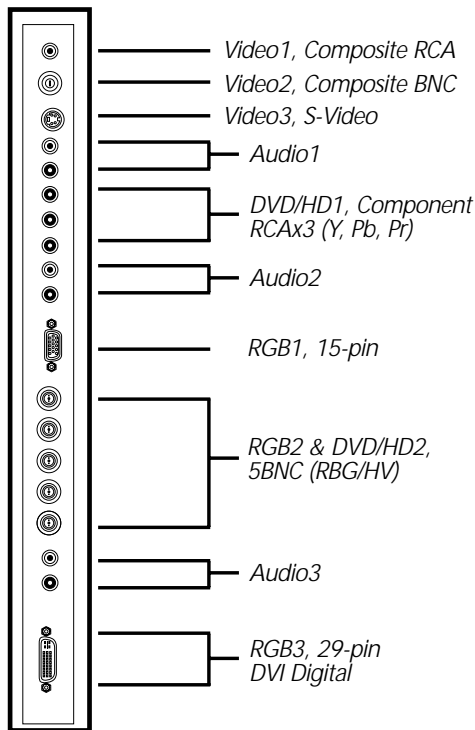
The NEC PlasmaSync MP Series offers three screen sizes for a range of multimedia application uses. From the utility of the 42" screen to, superior 50" performance to the ultimate size of the 61MP1, NEC offers a solution with outstanding progressive scan image quality, broad signal and source compatibility and powerful multimedia capabilities. Only NEC offers this range of screen size options in a series of plasma monitors designed specifically for professional multimedia applications.



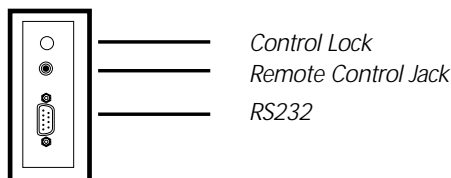
PlasmaSync® 61MP1



Side Input Panel



Bottom Input Panel



Specifications

Model Number	PX-61XM1A
Diagonal Screen Size	61"
Screen Aspect Ratio	16 to 9
Active Screen Area	1351 x 760 mm
Native Pixel Resolution	1365 vertical dots x 768 horizontal rows
Pixel Pitch	.99 mm square
Contrast Ratio (set)	700 to 1
Capsulated Color Filter	Yes
Output color	256 RGB levels, 16.7 million colors
Viewing Angle	160 degrees
Horizontal Frequency Range	15.5 to 93.8 kHz auto, step scan
Vertical Frequency Range	50 to 120 Hz auto, step scan
PC Signal Compatibility	VGA 640x480 @ 60,72,75,85,100, 120 Hz SVGA 800x600 @ 56, 60, 72,75,85,100,120 Hz XGA 1024x768 @ 60,70,75, 85, 100 Hz SXGA 1280x1024 @ 60, 75, 85 Hz UXGA 1600x1200 @ 60, 65, 70, 75 Hz WideVGA 848x480, 852 x 480 @ 60Hz WideXGA 1360 x 768 @60Hz
Workstation Compatibility	EWS4800 1280x1024 HP 1280x1024 Sun 1152x900, 1280x1024 SGI 1024x768, 1280x1024
Macintosh Compatibility	640x480, 832x624, 1024x768, 1152x870
Video Signal Compatibility	NTSC, PAL, SECAM, 3.58/4.43 NTSC
HD Video Signal Compatibility	480p 480i, 525p, 525i, 540p, 625p, 625i, 720p,1035i, 1080i
Input Terminals	RGB 1 (analog) 15-pin mini D-sub RGB 2 (analog) 5 BNC (RGB/HV) RGB 3 (digital) 29-pin DVI (digital only) Video 1 Composite RCA x 1 Video 2 Composite BNC x 1 Video 3 S-Video 4-Pin DIN HD Video 1 1 set RCA Component (Y,Pb,Pr/Y,Cb,Cr) HD Video 2 1 set BNC Component (Y,Pb,Pr/Y,Cb,Cr) Audio 3 sets RCA stereo + external speaker jacks
Audio	Internal amplifier, 7W x 2 output power
External Control	9-pin mini D-Sub, RS232
User Controls	Direct Access Power on/off, input selection, OSM access, (Control Lock Switch located on input panel) Remote Control Power on/off, input select, volume, mute, wide, display, off-timer, OSM control, cursor, pointer, zoom, split screen, auto, select
OSM	Contrast, brightness, sharpness, color, tint, color temperature, picture mode, noise reduction, bass, treble, balance, vertical position, horizontal position, fine picture, picture adjust, auto picture, power management, RGB select, BNC select, HD select, OSM adjustment, gray level, PLE, reset, frequency, language, color system
Plug & Play	DDC1, DDC2B (RGB3 is DDC2B only)
Power Requirements	120V 50/60 Hz
Power Consumption	660 W Typical, 6.9 Amp Maximum
Dimensions (WxHxD) - without base	1480 x 890 x 119mm, 58.3 x 35 x 4.7 inches
Weight	61 kg, 134.5 lbs. (without tabletop stand)
Environmental Considerations	Operating Temperature 32 - 95 degrees F Operating Humidity 20 - 80% Altitude 0 to 2800m, 0 to 9180 ft. Storage Temperature 14 - 122 degrees F Storage Humidity 10 - 90%
Warranty	1 Year Parts & Labor Standard
Regulatory	FCC Class A, UL1950, CSA950
Included Accessories	AC Power Cord, User Manual, Remote Control, Remote Control Cable, 15-pin RGB Cable, Batteries
Optional Accessories	Tabletop Stand PX-61XM1U-ST Attachable Speakers PX-61XM1U-S1 61" Fixed Wall Mount 61FWMK 61" Tilt Wall Mount 61TWMK 61" Ceiling Mount 61CMK

Specifications subject to change without notice.

For more information, call (800) NEC-INFO or visit www.necvisualsystems.com

NEC is a registered trademark of NEC Corporation. All other trademarks are the property of their respective owners. All specifications subject to change without notice.

NEC Solutions (America), Inc.
Visual Systems Division
1250 Arlington Heights Rd., Suite 500
Itasca, IL 60143-1248