

MAX-E1[®]

HIGH EFFICIENCY

Severe Duty



TECO   **Westinghouse**



DESIGN FEATURES & CONSTRUCTION

ALL MAX-E1® MOTORS DELIVER THESE IMPRESSIVE DESIGN FEATURES

- HPE™ - High Pulse Endurance Wire
- Non-hygroscopic, Class F insulation system
- High-grade, electro-magnetic steel laminations for low core loss and high efficiency
- All cast-iron construction including frame, end brackets, fan cover, and conduit box for rigidity and excellent corrosion resistance
- Reinforced end turn lacing
- Neoprene lead separator
- High performance bearings of degassed steel
- 90° rotatable oversized cast iron conduit box for easy connection
- Corrosion-resistant, non-sparking external fan
- Dynamically balanced pressure die-cast aluminum rotor
- Epoxy or phenolic rust-proof base coat
- Zn coated hardware
- CSA Certified for Class 1, Division II, Groups B, C, and D, with Temperature Code T3C
- 5000 frames and above have provisions for vertical jacks screws



KWIKMOD MODIFICATIONS AND ACCESSORIES

The MAX-E1® motor can be modified to meet a variety of application requirements using our KWIKMOD System. Please contact the nearest TECO-Westinghouse office for further information concerning price and delivery.

- | | |
|------------------------------------|-----------------------------|
| ■ C-Flange / D-Flange | ■ Special Breather Drains |
| ■ Special Paint | ■ Special Shaft Extensions |
| ■ Space Heaters | ■ Altitudes Above 3,300 ft. |
| ■ Temperature Sensing Devices | ■ Certified Test Reports |
| ■ Low or High Ambient Temperatures | ■ Special Nameplates |
| ■ F-2 Conduit Box Arrangement | ■ Auxiliary Conduit Boxes |
| ■ Ground Lug on Motor Frame | ■ Extended Leads |
| | ■ Special Grease |
| | ■ 50Hz |

For more than a century, Westinghouse motors have been recognized as leaders in dependability and quality. Responding through the years to the growing needs of industry, Westinghouse motors have set the standard for performance and reliability.

Today, the TECO-Westinghouse MAX-E1[®] motor carries on this proud tradition of excellence. Covering a range of ratings from 1HP to 800HP, these rugged machines are constructed with quality materials to withstand the rigorous demands encountered in the paper, steel, oil, gas, and other resource industries.

HIGH QUALITY TECO-WESTINGHOUSE MOTORS

TECO-Westinghouse motors are available in totally-enclosed fan-cooled, open drip proof, and WPI enclosures. Totally-enclosed explosion-proof configurations are also offered. These squirrel-cage induction motors are designed, manufactured, and tested to meet or exceed the latest NEMA, EPACT, IEEE, and CSA standards.

POWER SUPPLY

All TECO-Westinghouse Motors are AC, three phase, 60Hz, 230V/460V (usable on 208V), 460V, or 575V. 50Hz and other voltages under 600V are available upon request.

PERFORMANCE

All standard motors meet or exceed NEMA Design B performance requirements.

DUTY RATING

Continuous rating with a 1.15 service factor.

MOUNTING

Horizontal foot-mounted with standard F-1 mounting assembly. F-2 mounting assembly can be obtained by reversing the frame.

AMBIENT TEMPERATURE

Standard motors are designed for an ambient temperature range of -15°C (12.25°F) to 40°C (104°F).

CONNECTION

Motors 5HP and below have 9 leads with a Wye connection. Ratings 7.5HP up to 125HP have 12 leads (dual-voltage) which are suitable for across-the-line and Wye-Delta starting. Ratings 150HP and larger have 6 leads (single voltage) which are suitable for across-the-line and Wye-Delta starting. All 575V motors are 3 lead only.

ALTITUDE

Standard motors are designed for applications at an altitude not exceeding 3,300 feet (1,000 meters) above sea level.

TESTING

The online routine test and complete tests are made according to NEMA MG-1-12 and ANSI/IEEE Standard 112, Method B.

MAX-E1[®] MOTOR DIMENSIONS TYPE AEHE

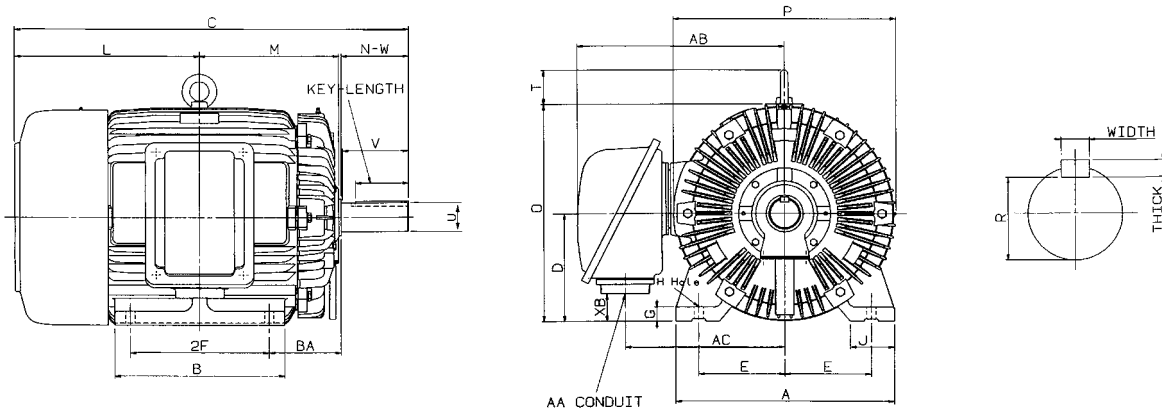


Figure 1

FRAME SIZE	FIGURE NO.	MOUNTING				A	B	C	D	G	J	L	M	O	P	K
		E	2F	H	BA											
143T	1	2.75	4.00	0.34	2.25	6.70	5.10	12.33	3.50	0.35	1.40	5.83	4.03	7.45	7.87	-
145T	1	2.75	5.00	0.34	2.25	6.70	5.90	13.92	3.50	0.35	1.40	6.32	4.53	7.45	7.87	-
182T	1	3.75	4.50	0.41	2.75	8.80	5.90	14.71	4.50	0.65	1.75	6.96	4.87	9.15	9.37	-
184T	1	3.75	5.50	0.41	2.75	8.80	6.90	15.73	4.50	0.65	1.75	7.48	5.37	9.15	9.37	-
213T	1	4.25	5.50	0.41	3.50	9.85	6.90	17.98	5.25	0.70	1.75	8.35	6.10	10.60	10.75	-
215T	1	4.25	7.00	0.41	3.50	9.85	8.35	19.47	5.25	0.70	1.75	9.09	6.85	10.60	10.75	-
254T	1	5.00	8.25	0.53	4.25	11.80	9.85	23.70	6.25	0.65	1.95	11.33	8.06	12.80	13.15	-
256T	1	5.00	10.00	0.53	4.25	11.80	11.80	25.43	6.25	0.65	1.95	12.18	8.93	12.80	13.15	-
284T	1	5.50	9.50	0.53	4.75	14.00	11.70	26.80	7.00	0.70	2.95	12.68	9.23	14.50	15.05	-
284TS	1	5.50	9.50	0.53	4.75	14.00	11.70	25.43	7.00	0.70	2.95	12.68	9.30	14.50	15.05	-
286T	1	5.50	11.00	0.53	4.75	14.00	13.20	28.30	7.00	0.70	2.95	13.43	9.98	14.50	15.05	-
286TS	1	5.50	11.00	0.53	4.75	14.00	13.20	26.93	7.00	0.70	2.95	13.43	10.05	14.50	15.05	-
324T	1	6.25	10.50	0.66	5.25	15.75	12.80	29.93	8.00	1.10	3.15	14.18	10.29	16.20	16.55	-
324TS	1	6.25	10.50	0.66	5.25	15.75	12.80	28.43	8.00	1.10	3.15	14.18	10.29	16.20	16.55	-
326T	1	6.25	12.00	0.66	5.25	15.75	14.35	31.42	8.00	1.10	3.15	14.92	11.04	16.20	16.55	-
326TS	1	6.25	12.00	0.66	5.25	15.75	14.35	29.92	8.00	1.10	3.15	14.92	11.04	16.20	16.55	-
364T	1	7.00	11.25	0.66	5.88	17.70	13.75	32.57	9.00	1.30	3.55	15.19	11.29	17.80	18.15	-
364TS	1	7.00	11.25	0.66	5.88	17.70	13.75	30.44	9.00	1.30	3.55	15.19	11.29	17.80	18.15	-
365T	1	7.00	12.25	0.66	5.88	17.70	14.75	33.55	9.00	1.30	3.55	15.67	11.79	17.80	18.15	-
365TS	1	7.00	12.25	0.66	5.88	17.70	14.75	31.42	9.00	1.30	3.55	15.67	11.79	17.80	18.15	-
404T	1	8.00	12.25	0.81	6.62	19.68	15.16	36.30	10.00	1.57	3.94	16.30	12.52	20.00	20.08	-
405T	1	8.00	13.75	0.81	6.62	19.68	16.73	37.80	10.00	1.57	3.94	17.05	13.27	20.00	20.08	-
405TS	1	8.00	13.75	0.81	6.62	19.68	16.73	34.80	10.00	1.57	3.94	17.05	13.27	20.00	20.08	-
444T	1	9.00	14.50	0.81	7.50	22.05	17.50	42.05	11.00	1.40	4.35	18.80	14.30	22.45	23.30	4.35
444TS	1	9.00	14.50	0.81	7.50	22.05	17.50	38.30	11.00	1.40	4.35	18.80	14.30	22.45	23.30	4.35
445T	1	9.00	16.50	0.81	7.50	22.05	19.50	44.05	11.00	1.40	4.35	19.80	15.25	22.45	23.30	4.35
445TS	1	9.00	16.50	0.81	7.50	22.05	19.50	40.30	11.00	1.40	4.35	19.80	15.25	22.45	23.30	4.35
447T	1	9.00	20.00	0.81	7.50	22.05	23.25	47.75	11.00	1.40	4.35	21.75	17.35	23.55	25.65	4.35
447TS	1	9.00	20.00	0.81	7.50	22.05	23.25	44.00	11.00	1.40	4.35	21.75	17.15	23.55	25.65	4.35
449T	1	9.00	25.00	0.81	7.50	22.05	27.95	52.75	11.00	1.40	4.35	24.25	19.85	23.55	25.65	4.35
449TS	1	9.00	25.00	0.81	7.50	22.05	27.95	49.00	11.00	1.40	4.35	24.25	19.65	23.55	25.65	4.35
**449T	2	9.00	25.00	0.81	7.50	22.05	33.05	58.63	11.00	1.20	4.35	28.05	20.67	22.60	25.45	6.70
**449TS	2	9.00	25.00	0.81	7.50	22.05	33.05	54.88	11.00	1.20	4.35	29.05	20.47	22.60	25.45	6.70
5009A	2	10.00	28.00	0.94	8.50	25.60	34.65	67.80	12.50	1.85	5.90	39.55	21.90	26.65	28.75	7.10
5011A	2	10.00	36.00	0.94	8.50	25.60	42.50	75.75	12.50	1.85	5.90	43.50	25.80	26.65	28.75	7.10
5810A	2	11.50	36.00	1.13	10.00	29.55	44.10	80.80	14.50	1.70	5.90	47.05	26.95	30.90	33.85	9.65
5007C ¹	2	10.00	22.00	0.94	8.50	25.60	28.75	63.77	12.50	1.85	5.90	32.65	19.15	26.65	28.75	7.10
5007C ²	2	10.00	22.00	0.94	8.50	25.60	28.75	62.22	12.50	1.85	5.90	31.10	19.15	26.65	28.75	7.10
5009C ³	2	10.00	28.00	0.94	8.50	25.60	34.65	69.72	12.50	1.85	5.90	35.60	22.00	26.65	28.75	7.10
5009C ⁴	2	10.00	28.00	0.94	8.50	25.60	34.65	68.17	12.50	1.85	5.90	34.05	22.00	26.65	28.75	7.10
5011B ⁵	2	10.00	36.00	0.94	8.50	25.60	42.50	77.67	12.50	1.85	5.90	39.55	26.00	26.65	28.75	7.10
5011B ⁶	2	10.00	36.00	0.94	8.50	25.60	42.50	76.12	12.50	1.85	5.90	38.00	26.00	26.65	28.75	7.10
5808B ⁷	2	11.50	28.00	1.13	10.00	29.55	36.60	73.48	14.50	1.70	5.90	37.60	23.40	30.90	33.85	9.65
5808B ⁸	2	11.50	28.00	1.13	10.00	29.55	36.60	73.28	14.50	1.70	5.90	37.40	23.40	30.90	33.85	9.65
5808B ⁹	2	11.50	28.00	1.13	10.00	29.55	36.60	73.08	14.50	1.70	5.90	37.20	23.40	30.90	33.85	9.65
5810B ¹⁰	2	11.50	36.00	1.13	10.00	29.55	44.10	81.23	14.50	1.70	5.90	41.35	27.20	30.90	33.85	9.65
5810B ¹¹	2	11.50	36.00	1.13	10.00	29.55	44.10	81.03	14.50	1.70	5.90	41.15	27.20	30.90	33.85	9.65
5810B ¹²	2	11.50	36.00	1.13	10.00	29.55	44.10	80.83	14.50	1.70	5.90	40.95	27.20	30.90	33.85	9.65
6808B ¹³	2	13.50	36.00	1.38	11.50	35.00	48.45	87.28	17.00	2.00	7.10	45.90	28.70	35.70	38.80	10.65
6808B ¹⁴	2	13.50	36.00	1.38	11.50	35.00	48.45	86.08	17.00	2.00	7.10	44.70	28.70	35.70	38.80	10.65

- Note:
1. Dimension D tolerance: +0.000 inch - 0.03 inch (143T-365T); +0.000 inch - 0.06 (404T-449T).
 2. Dimension U tolerance: +0.000 inch - 0.0005 inch (143T-215T); +0.000 inch - 0.001 (254T-449T).
 3. Dimension R tolerance: +0.000 inch - 0.015 inch.
 4. Bearing with mark *: Grease pre-packed shielded rolling bearings.
 5. **Overall Dimensions are larger than standard T-Frames.
 6. Superscript numbers after frame size indicates number of poles.

MAX-E1[®] MOTOR DIMENSIONS TYPE AEHE

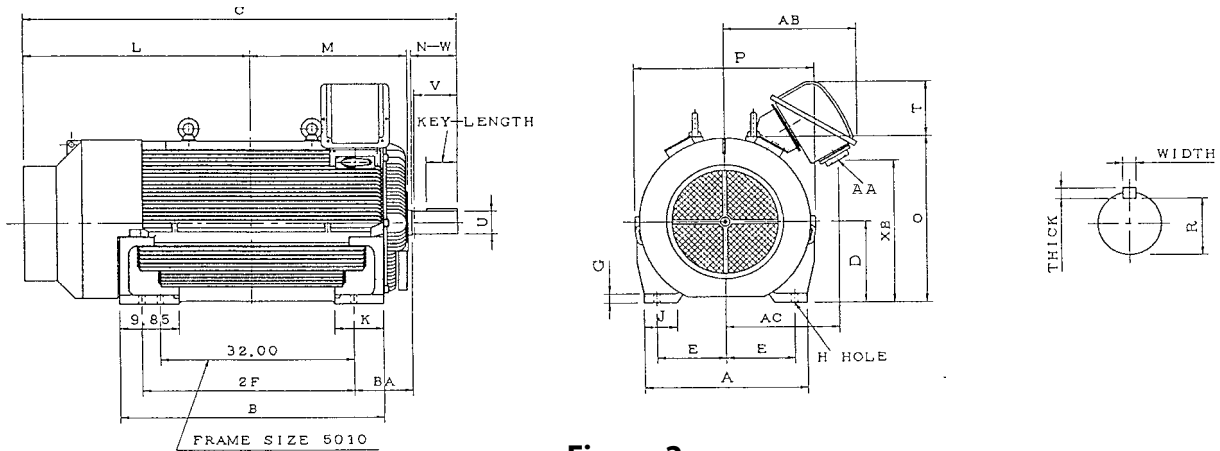


Figure 2

FRAME NO.	T	KEY			KEY SEAT R	TERMINAL HOUSING				SHAFT EXTENSIONS			BEARINGS	
		WIDTH	THICK	LENGTH		AA	AB	AC	XB	N-W	U	V	DRIVE END	NON-DRIVE END
143T	na	0.188	0.188	1.14	0.771	0.5	7.56	5.63	0.86	2.25	0.875	2.20	*6205ZZ	*6205ZZ
145T	na	0.188	0.188	1.14	0.771	0.5	7.56	5.63	0.86	2.25	0.875	2.20	*6205ZZ	*6205ZZ
182T	1.30	0.250	0.250	1.78	0.986	0.5	8.35	6.38	1.86	2.75	1.125	2.70	*6306ZZ	*6306ZZ
184T	1.30	0.250	0.250	1.78	0.986	0.5	8.35	6.38	1.86	2.75	1.125	2.70	*6306ZZ	*6306ZZ
213T	1.65	0.312	0.312	2.41	1.201	1.0	9.78	7.34	2.34	3.38	1.375	3.30	*6308ZZ	*6306ZZ
215T	1.65	0.312	0.312	2.41	1.201	1.0	9.78	7.34	2.34	3.38	1.375	3.30	*6308ZZ	*6306ZZ
254T	2.00	0.375	0.375	2.91	1.416	1.0	11.30	8.86	3.22	4.00	1.625	3.90	*6309ZZ	*6307ZZ
256T	2.00	0.375	0.375	2.91	1.416	1.0	11.30	8.86	3.22	4.00	1.625	3.90	*6309ZZ	*6307ZZ
284T	2.00	0.500	0.500	3.28	1.591	1.0	12.28	9.84	3.97	4.62	1.875	4.50	*6311ZZ	*6310ZZ
284TS	2.00	0.375	0.375	1.93	1.416	1.0	12.28	9.84	3.97	3.25	1.625	3.20	6211ZZC3	6211ZZC3
286T	2.00	0.500	0.500	3.28	1.591	1.0	12.28	9.84	3.97	4.62	1.875	4.50	*6311ZZ	*6310ZZ
286TS	2.00	0.375	0.375	1.93	1.416	1.0	12.28	9.84	3.97	3.25	1.625	3.20	6211ZZC3	6211ZZC3
324T	2.35	0.500	0.500	3.91	1.845	2.0	14.72	11.30	3.59	5.25	2.125	5.15	6312	6212
324TS	2.35	0.500	0.500	2.03	1.591	2.0	14.72	11.30	3.59	3.75	1.875	3.65	6312C3	6212C3
326T	2.35	0.500	0.500	3.91	1.845	2.0	14.72	11.30	3.59	5.25	2.125	5.15	6312	6212
326TS	2.35	0.500	0.500	2.03	1.591	2.0	14.72	11.30	3.59	3.75	1.875	3.65	6312C3	6212C3
364T	2.80	0.625	0.625	4.28	2.021	3.0	16.81	12.99	2.39	5.88	2.375	5.75	6313	6213
364TS	2.80	0.500	0.500	2.03	1.591	3.0	16.81	12.99	2.39	3.75	1.875	3.65	6312C3	6212C3
365T	2.80	0.625	0.625	4.28	2.021	3.0	16.81	12.99	2.39	5.88	2.375	5.75	6313	6213
365TS	2.80	0.500	0.500	2.03	1.591	3.0	16.81	12.99	2.39	3.75	1.875	3.65	6312C3	6212C3
404T	2.76	0.750	0.750	5.65	2.450	3.0	19.41	14.76	1.81	7.25	2.875	7.16	6317	6313
405T	2.76	0.750	0.750	5.65	2.450	3.0	19.41	14.76	1.81	7.25	2.875	7.16	6317	6313
405TS	2.76	0.500	0.500	2.78	1.845	3.0	19.41	14.76	1.81	4.25	2.125	3.98	6313C3	6313C3
444T	3.55	0.875	0.875	6.89	2.880	3.0	23.05	16.95	2.60	8.50	3.375	8.00	6318	6316
444TS	3.55	0.625	0.625	3.03	2.021	3.0	23.05	16.95	2.60	4.75	2.375	4.50	6314C3	6314C3
445T	3.55	0.875	0.875	6.89	2.880	3.0	23.05	16.95	2.60	8.50	3.375	8.00	6318	6316
445TS	3.55	0.625	0.625	3.03	2.021	3.0	23.05	16.95	2.60	4.75	2.375	4.50	6314C3	6316C3
447T	4.35	0.875	0.875	6.89	2.880	3.0	24.00	17.90	2.40	8.50	3.375	8.00	6320	6316
447TS	4.35	0.625	0.625	3.03	2.021	3.0	24.00	17.90	2.40	4.75	2.375	4.50	6314C3	6314C3
449T	4.35	0.875	0.875	6.89	2.880	3.0	24.00	17.90	2.40	8.50	3.375	8.00	6320	6316
449TS	4.35	0.625	0.625	3.03	2.021	3.0	24.00	17.90	2.40	4.75	2.375	4.50	6314C3	6314C3
**449T	2.80	0.875	0.875	6.89	2.880	3.0	25.15	19.05	1.24	8.50	3.375	8.00	6320	6316
**449TS	2.80	0.625	0.625	3.03	2.021	3.0	25.15	19.05	1.24	4.75	2.375	4.50	6314C3	6314C3
5009A	10.70	0.625	0.625	4.01	2.275	4.0	24.30	20.00	22.70	5.75	2.625	5.50	6314C3	6314C3
5011A	10.70	0.625	0.625	4.01	2.275	4.0	24.30	20.00	22.70	5.75	2.625	5.50	6314C3	6314C3
5810A	11.05	0.625	0.625	4.01	2.275	4.0	25.95	21.65	27.25	5.75	2.625	5.50	6314C3	6314C3
5007C ³	10.70	1.000	1.000	10.00	3.309	4.0	24.30	20.00	22.70	11.62	3.875	11.12	NU324C3	6320
5007C ²	10.70	1.000	1.000	10.00	3.309	4.0	24.30	20.00	22.70	11.62	3.875	11.12	NU324C3	6320
5009C ³	10.70	1.000	1.000	10.00	3.309	4.0	24.30	20.00	22.70	11.62	3.875	11.12	NU324C3	6320
5009C ²	10.70	1.000	1.000	10.00	3.309	4.0	24.30	20.00	22.70	11.62	3.875	11.12	NU324C3	6320
5011B ³	10.70	1.000	1.000	10.00	3.309	4.0	24.30	20.00	22.70	11.62	3.875	11.21	NU324C3	6320
5011B ²	10.70	1.000	1.000	10.00	3.309	4.0	24.30	20.00	22.70	11.62	3.875	11.21	NU324C3	6320
5808B ³	11.05	1.250	1.250	10.00	4.169	(2) 3.0	25.95	21.65	27.25	11.88	4.875	11.38	NU326C3	6322
5808B ²	11.05	1.250	1.250	10.00	3.309	(2) 3.0	25.95	21.65	27.25	11.88	4.875	11.38	NU326C3	6322
5808B ¹	11.05	1.250	1.250	10.00	3.309	(2) 3.0	25.95	21.65	27.25	11.88	4.875	11.38	NU326C3	6322
5810B ³	11.05	1.250	1.250	10.00	3.309	(2) 3.0	25.95	21.65	27.25	11.88	4.875	11.38	NU326C3	6322
5810B ²	11.05	1.250	1.250	10.00	3.309	(2) 3.0	25.95	21.65	27.25	11.88	4.875	11.38	NU326C3	6322
5810B ¹	11.05	1.250	1.250	10.00	3.309	(2) 3.0	25.95	21.65	27.25	11.88	4.875	11.38	NU326C3	6322
6808B ³	10.85	1.250	1.250	10.00	4.169	(2) 3.0	27.15	22.85	31.90	11.88	4.875	11.38	NU326C3	6322
6808B ²	10.85	1.250	1.250	10.00	4.169	(2) 3.0	27.15	22.85	31.90	11.88	4.875	11.38	NU326C3	6322

- Note:
1. Dimension D tolerance: +0.000 inch - 0.03 inch (143T-365T); +0.000 inch - 0.06 (404T-449T).
 2. Dimension U tolerance: +0.000 inch - 0.0005 inch (143T-215T); +0.000 inch - 0.001 (254T-449T).
 3. Dimension R tolerance: +0.000 inch - 0.015 inch.
 4. Bearing with mark * : Grease pre-packed shielded rolling bearings.
 5. **Overall Dimensions are larger than standard T-Frames.
 6. Superscript number after frame size indicates number of poles.
 7. (2) Indicates 2 conduit opening per terminal box.

PERFORMANCE DATA

CATALOG NO.	HP	FULL LOAD RPM	FRAME SIZE	TORQUE lb-ft	Full Load			Locked Rotor		BREAK-DOWN (%FLT)	ROTOR WK ² (lb-ft ²)	NEMA CODE LETTER	APPROX. WEIGHT (lbs.)
					NOM. EFF. (%)	P.F. (%)	CURRENT AMPS @460V	TORQUE (% FLT)	AMPS @460V				
E00/78	0.75	855	145T	4.606	70	53.5	1.88	190	12.5	240	0.118	P	55
E0014	1	1745	143T	3.009	85.5	73	1.5	310	15	410	0.103	N	55
E0016	1	1150	145T	4.566	84	66	1.69	260	15	320	0.136	N	62
E0018	1	860	182T	6.105	77	58.5	2.08	200	15	260	0.239	N	95
E1/52	1.5	3465	143T	2.273	84	83.5	2	340	20	350	0.052	M	55
E1/54	1.5	1730	145T	4.552	86.5	78	2.08	300	20	360	0.118	M	62
E1/56	1.5	1170	182T	6.731	87.5	65.5	2.45	210	20	350	0.313	M	95
E1/58	1.5	860	184T	9.158	77	60.5	3.01	185	20	250	0.275	M	114
E0022	2	3465	145T	3.031	86.5	86	2.52	350	25	390	0.064	L	62
E0024	2	1730	145T	6.07	86.5	77.5	2.79	320	25	360	0.136	L	62
E0026	2	1170	184T	8.975	87.5	67.5	3.17	200	25	310	0.392	L	114
E0028	2	865	213T	12.14	85.5	64	3.42	225	25	275	0.586	L	167
E0032	3	3495	182T	4.507	87.5	90.5	3.55	280	32	340	0.19	K	95
E0034	3	1755	182T	8.975	88.5	82.5	3.85	240	32	350	0.348	K	95
E0036	3	1165	213T	13.52	87.5	76.5	4.2	220	32	300	0.744	K	167
E0038	3	865	215T	18.21	85.5	66	4.98	240	32	305	0.821	K	189
E0052	5	3480	184T	7.544	88.5	92.5	5.72	290	46	320	0.272	J	114
E0054	5	1745	184T	15.04	89.5	86	6.08	210	46	320	0.477	J	114
E0056	5	1155	215T	22.73	89.5	80.5	6.5	200	46	280	1.058	J	189
E0058	5	870	254T	30.17	86.5	72	7.52	190	46	240	1.66	J	288
E7/52	7.5	3510	213T	11.22	91	89	8.67	200	63.5	275	0.448	H	167
E7/54	7.5	1755	213T	22.44	91	86.5	8.92	270	63.5	300	0.79	H	167
E7/56	7.5	1170	254T	33.66	91	81	9.53	240	63.5	270	2.158	H	288
E7/58	7.5	865	256T	45.52	85.5	71.5	11.5	200	63.5	240	2.042	H	332
E0102	10	3510	215T	14.96	91	90.5	11.4	220	81	260	0.573	H	189
E0104	10	1755	215T	29.92	91	88.5	11.6	260	81	290	1.024	H	189
E0106	10	1170	256T	44.87	90.2	81.5	12.7	240	81	260	2.657	H	332
E0108	10	885	284T	59.33	89.5	73.5	14.2	235	81	280	5.421	H	429
E0152	15	3525	254T	22.34	92.4	91.5	16.6	210	116	270	1.088	G	288
E0154	15	1765	254T	44.62	92.4	88	17.3	245	116	270	2.179	G	288
E0156	15	1175	284T	67.03	91	83.5	18.5	240	116	240	6.255	G	429
E0158	15	880	286T	89.49	89.5	78	20.1	180	116	225	7.961	G	475
E0202	20	3520	256T	29.83	92.4	92.5	21.9	210	145	260	1.407	G	332
E0204	20	1765	256T	59.49	91.7	87.5	23.3	230	145	260	2.741	G	332
E0206	20	1170	286T	89.75	91	84	24.5	200	145	230	7.961	G	475
E0208	20	875	324T	120	90.2	81	25.6	200	145	210	10.393	G	664
E0252	25	3545	284TS	37.03	91.7	91	28.1	175	182.5	250	2.507	G	418
E0254	25	1765	284T	74.37	93	87	28.9	210	182.5	240	4.425	G	429
E0256	25	1170	324T	112.2	92.4	82	30.9	200	182.5	220	10.887	G	664
E0258	25	875	326T	150	90.2	79.5	32.6	200	182.5	220	12.373	G	724
E0302	30	3545	286TS	44.43	91.7	91	33.7	175	217.5	240	2.831	G	455
E0304	30	1765	286T	89.24	93	87.5	34.5	230	217.5	250	5.044	G	475
E0306	30	1175	326T	134.1	93	80.5	37.5	210	217.5	230	12.372	G	724
E0308	30	885	364T	178	93	77.5	39	200	217.5	200	17.938	G	834
E0402	40	3550	324TS	59.16	94.1	90	44.2	150	290	240	3.59	G	618
E0404	40	1770	324T	118.7	93.6	89.5	44.7	220	290	240	8.624	G	664
E0406	40	1180	364T	178	93.6	86	46.5	200	290	230	17.936	G	898
E0408	40	885	365T	237.3	91.7	76.5	53.4	200	290	200	19.318	G	913
E0502	50	3550	326TS	73.95	94.1	91	54.7	150	362.5	240	4.488	G	693
E0504	50	1770	326T	148.3	93.6	89.5	55.9	220	362.5	240	10.123	G	724
E0506	50	1180	365T	222.5	93.6	86	58.2	200	362.5	220	21.386	G	928
E0508	50	885	404T	296.6	93	80.5	62.5	200	362.5	230	31.465	G	1166
E0602	60	3545	364TS	88.86	93.6	93.5	64.2	140	435	230	7.379	G	818
E0604	60	1775	364T	177.5	94.5	86	69.1	200	435	230	11.739	G	898
E0606	60	1180	404T	267	94.1	88.5	67.5	210	435	230	30.289	G	1165
E0608	60	885	405T	356	93	81	74.6	200	435	230	32.55	G	1298
E0752	75	3545	365TS	111.1	93.6	93.5	80.2	135	542.5	230	8.721	G	880
E0754	75	1775	365T	221.8	94.5	87	85.4	200	542.5	220	14.674	G	928
E0756	75	1180	405T	333.7	94.1	88	84.8	220	542.5	250	36.239	G	1298
E0758R	75	885	444T	445	93	79	95.6	150	548	210	55.1	G	1600
E1002	100	3560	405TS	147.5	95	91	108	140	725	250	10.773	G	1144
E1004	100	1775	405T	295.8	94.5	89	111	200	725	250	26.637	G	1298
E1006R	100	1180	444T	445	94.5	84.5	117	200	725	220	56	G	1550
E1008R	100	885	445T	593	93	79	127	150	725	210	72.8	G	1800
E1252	125	3560	444TS	185	94.5	88	141	108	907.5	220	17	G	1450
E1254	125	1780	444T	368	94.5	87.8	141	200	907.5	220	45	G	1550
E1256R	125	1181	445T	555	94.5	85.7	145	200	907.5	220	68	G	1900
E1258R	125	888	447T	739	93.6	80	156	150	907.5	200	141	G	2450
E1502	150	3565	445TS	221	94.5	88.5	168	107	1085	210	20	G	1550
E1504	150	1782	445T	442	95	88	168	200	1085	210	52	G	1700
E1506R	150	1182	447T	666	95	86.5	171	200	1085	210	103	G	2200
E1508R	150	888	449T	887	93.6	80	188	150	1085	200	166	G	2800

- Note:
1. The above are typical values based on test.
 2. Actual load and full voltage starting per ANSI and IEEE standard 112, Method B.
 3. Minimum guaranteed efficiency values can be certified with actual tests.
 4. Breakdown and locked rotor torque are shown as NEMA minimum values.
 5. 150HP and above are 460V only.
 6. Data subject to change without notice.
 7. ** Overall dimension are larger than standard T-Frames.

PERFORMANCE DATA

CATALOG NO.	HP	FULL LOAD RPM	FRAME SIZE	FULL LOAD				LOCKED ROTOR		BREAK-DOWN (%FLT)	ROTOR WK ² (lb-ft ²)	NEMA CODE LETTER	APPROX. WEIGHT (lbs.)
				TORQUE (lb-ft)	NOM. EFF. (%)	P.F. (%)	CURRENT AMPS @460V	TORQUE (% FLT)	AMPS @460V				
E2002	200	3570	447TS	294	95	89	221	103	1450	210	35	G	2150
E2004	200	1784	447T	587	95	88.4	223	200	1450	210	74	G	2350
E2006R	200	1185	449T	885	95	87	233	200	1450	210	123	G	2650
E2008R	200	890	5007C	1180	94.4	82	242	110	1450	200	205	G	3200
E2502	250	3575	449TS	367	95.4	90	273	103	1825	210	45	G	2450
E2504	250	1785	449T	735	95.4	89	276	200	1825	210	87	G	2650
E2506R	250	1187	**449T	1105	95	85.2	289	122	1825	210	138	G	2950
E2508R	250	890	5009C	1474	94.5	81	306	110	1825	200	235	G	4000
E3002	300	3575	**449TS	440	95.4	90	327	102	2200	210	53	G	2800
E3004	300	1785	**449T	882	95.4	89.4	329	111	2200	210	95	G	2850
E3006R	300	1187	**449T	1324	95	85.2	347	122	2200	210	199	G	3450
E3008R	300	890	5009C	1769	94.6	81	366	110	2200	200	263	G	4200
E3502	350	3575	**449TS	515	95.4	90	382	102	2567	210	62	G	3100
E3504	350	1785	**449T	1030	95.4	89.4	384	111	2567	210	124	G	3350
E3506R	350	1185	5011B	1550	95	88	392	100	2550	220	274	G	4650
E3508R	350	890	5011B	2064	94.8	81	426	100	2550	200	284	G	4800
E4002	400	3580	5009A	584	95.4	91.6	428	85	2900	230	64	G	3450
E4004	400	1785	5009C	1177	95.2	90	437	100	2900	220	158	G	3700
E4006R	400	1185	5011B	1772	95	88	448	100	2900	220	298	G	4900
E4008R	400	890	5808B	2359	94.8	82.5	478	90	2900	200	520	G	5100
E4502	450	3580	5011A	661	95.4	91.7	482	80	3250	230	69	G	4200
E4504	450	1785	5011B	1325	95.2	90	492	100	3250	210	398	G	4800
E4506R	450	1188	5808B	1988	95.2	86.5	511	100	3250	210	398	G	5250
E4508R	450	890	5808B	2654	95	82.5	537	90	3250	200	582	G	5450
E5002	500	3580	5011A	734	95.4	91.7	535	80	3625	230	85	G	4600
E5004	500	1785	5011B	1472	95.3	90	545	95	3625	200	202	G	5000
E5006R	500	1188	5808B	2209	95.4	86.5	567	95	3625	210	448	G	5600
E5008R	500	890	5810B	2949	95.2	82.5	596	90	3625	200	625	G	6000
E6002	600	3580	5810A	880	95.4	90.5	650	80	4730	230	145	G	6000
E6004	600	1785	5808B	1767	95.5	90	654	95	4730	200	422	G	5800
E6006R	600	1188	5810B	2651	95.6	86.8	677	95	4730	210	522	G	6400
E6008R	600	892	6808B	3534	95.5	84	700	90	4730	200	1147	G	8050
E7002	700	3580	5810A	1027	95.5	90.5	728	80	5520	230	175	G	6600
E7004	700	1785	5810B	2061	95.6	90	762	90	5500	200	486	G	6800
E7006R	700	1190	5810B	3088	95.8	86.8	788	90	5500	200	595	G	6900
E7008R	700	892	6808B	4120	95.6	84	816	90	5500	200	1230	G	8500
E8004	800	1785	5810B	2355	95.6	90.5	866	90	6300	200	536	G	7250
E8006R	800	1190	6808B	3529	96	87	897	100	6300	210	875	G	8000
E8008R	800	892	6808B	4708	95.6	84	933	85	6300	200	1325	G	8850

- Note:
1. The above are typical values based on test.
 2. Actual load and full voltage starting per ANSI and IEEE standard 112, Method B.
 3. Minimum guaranteed efficiency values can be certified with actual tests.
 4. Breakdown and locked rotor torque are shown as NEMA minimum values.
 5. 150HP and above are 460V only.
 6. Data subject to change without notice.
 7. ** Overall dimension are larger than standard T-Frames.

**QUALITY IS
REMEMBERED
LONG AFTER PRICE
IS FORGOTTEN**



MAX-E1[®]

The **MAX-E1[®]** is a state-of-the-art machine. Backed by a three-year warranty, this unit offers high efficiency ratings that deliver significant life-cycle savings. In most industrial plants, motor electrical consumption accounts for up to 75% of the total electricity bill.

Compared with standard efficiency designs, the MAX-E1[®] will reduce your electricity bill and lower production costs. Also, it will provide for lower loading on electrical distribution circuits. In fact, the high efficiency design of the MAX-E1[®] can save you thousands of dollars over the life of the motor.

TECO   **Westinghouse**

5100 N. IH-35
Round Rock, TX 78681
1-800-873-8326
www.tecowestinghouse.com