

TEFC

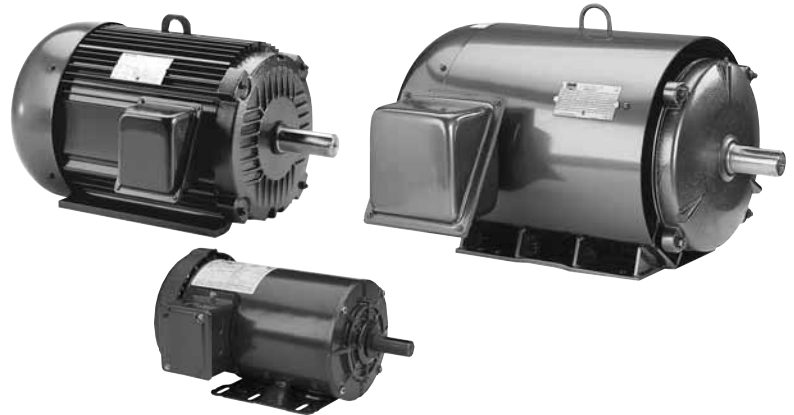
208, 230/460 AND 460 VOLTS • 3-PHASE
 FOOT MOUNT & C-FACE
 1/4 TO 400 HP

Signature Series **MOTORS**

Frames 48 - 215T

Features:

- Industry leading 1.25 service factor*
- Nameplated for 50 Hz and 208 V/60 Hz Operation – See “Notes” column.
- Continuous Duty
- Inverter-Rated
- Construction materials (reference Model Number) - SPF, SRF & SSF: steel frame/cast aluminum brackets
CCN: cast iron frame and brackets
- Premium Insulation Systems –
48 & 56 frames: Class B
143T-215T frames: Class F
- UL Recognized Component Listing and CSA certified
- Warranty (sine-wave power) – SPF, SRF, SSF (inverter power) – CCN
48 & 56 frames: 18 months from date of manufacture and 12 months from date of installation which ever period expires first.
143T-256T frames: 30 months from date of manufacture and 24 months from date of installation which ever period expires first.



ULTIMATE E® MOTORS

Frames 182T - 449T

Features:

- Industry leading 1.25 service factor through 75 HP*
- Superior speed-torque curves – most models* nameplated Design B & C – see “Notes” column.
- Two levels of premium efficiency – P efficiency codes meet and B efficiency codes exceed the energy efficiency requirements of the United States and Canada.
- Nameplated for 50 Hz and 208 V/60 Hz Operation – See “Notes” column.
- Continuous Duty
- Inverter-Rated
- Construction Materials (reference Model Number) – AF, AAF: extruded aluminum frame and cast iron brackets
SF: steel frame and cast iron brackets
- Premium Class F Plus Insulation system
- Y-delta start capability frames 284T-449T
- UL Recognized Component Listing and CSA certified
- Warranty (sine-wave power) - AF-AAF-SF
182T-449T frames: 42 months from date of manufacture and 36 months from date of installation which ever period expires first.
Inverter Power: 30 months from date of manufacture and 24 months from date of installation which ever period expires first.
- Shielded ball bearing for direct coupled applications. Contact your local sales office for belted applications.

Applications:

For use where exposure to water, dust and corrosives exists. Ideally suited for use on pumps, compressors, fans, blowers, conveyors, machine tools and other industrial applications.



Entire Cast Iron Frame Motors start on pages 207-217 and 252-255.

* P and B efficiency codes.
Information subject to change without notice.



TEFC

**208, 230/460 AND 460 VOLTS • 3-PHASE
FOOT MOUNT & C-FACE
1/4 TO 400 HP**

FOOT MOUNT

HP	SYN RPM	Frame	FL Nom Eff (%)	SF	Volts	Model Number	Product Number	Notes (see page 306)	Approx Shpg Wght (lbs)	List Price	Mult Sym	
1/4	1800	48	62.5	1.15	230/460	SPF4S0.25T61	LM24929	H	17	\$283	LT-1A	
1/3	1800	48	65.5	1.15	230/460	SPF4S0.33T61	LM24930	H	20	337	LT-1A	
	1800	56	65.5	1.15	230/460	SRF4S0.33T61	LM24107	H	16	317	LT-1A	
	1200	56	62.0	1.15	230/460	SRF6S0.33T61	LM24931	H, W	22	485	LT-1A	
1/2	3600	56	69.0	1.15	230/460	SRF2S0.5T61	LM24165	H, W	22	323	LT-1A	
	1800	48	70.0	1.15	230/460	SPF4S0.5T61	LM24932	H	23	394	LT-1A	
	1800	56	70.0	1.15	230/460	SRF4S0.5T61	LM24073	H	18	362	LT-1A	
	1200	56	68.0	1.15	230/460	SRF6S0.5T61	LM24105	H, Y	24	524	LT-1A	
	900	143T	66.0	1.15	230/460	SSF8S0.5T61	LM24291	K, Y	31	770	LT-1A	
3/4	3600	56	74.0	1.15	230/460	SRF2S0.75T61	LM24133	H, W	23	357	LT-1A	
	1800	56	75.5	1.15	230/460	SRF4S0.75T61	LM24075	H	30	389	LT-1A	
	1200	56	74.0	1.15	230/460	SRF6S0.75T61	LM24136	H	28	536	LT-1A	
	1200	143T	74.0	1.15	230/460	SSF6S0.75T61	LM24103	K	29	536	LT-1A	
	900	145T	70.0	1.15	230/460	SSF8S0.75T61	LM24276	K	49	882	LT-1A	
1	3600	56	74.0	1.15	230/460	SRF2S1T61	LM24094	H, W	24	420	LT-1A	
	1800	56	77.0	1.15	230/460	SRF4S1T61	LM24078	H, W	27	403	LT-1A	
	1800	143T	82.5	1.25	230/460	SSF4P1T61	LM24088	C, H, V	41	423	LT-1B	
	1800	143T	85.5	1.25	230/460	CCN4B1T61	LM24102	C, H, V	56	650	LT-1E	
	1800	143T	82.5	1.25	230/460	CCN4P1T61	LM25639	C, H, V	56	587	LT-3B	
	1200	145T	80.0	1.25	230/460	SSF6P1T61	LM24092	K, W	34	542	LT-1B	
	1200	56H	78.5	1.15	230/460	SRF6S1T61	LM24159	H	35	588	LT-1A	
	900	182T	70.0	1.15	230/460	AAF8S1T61	LM01260	H, V	64	861	LT-1A	
	1 1/2	3600	56	80.0	1.15	230/460	SRF2S1.5T61	LM24144	H	34	460	LT-1A
		3600	143T	82.5	1.25	230/460	SSF2P1.5T61	LM24119	H, V	32	486	LT-1B
1800		56H	80.0	1.15	230/460	SRF4S1.5T61	LM24118	H	30	428	LT-1A	
1800		145T	84.0	1.25	230/460	SSF4P1.5T61	LM24091	H, V	45	431	LT-1B	
1800		145T	84.0	1.25	230/460	CCN4B1.5T61	LM25637	H	63	693	LT-1E	
1800		145T	84.0	1.15	230/460	CCN4P1.5T61	LM24164	H	62	606	LT-3B	
1200		182T	87.7	1.25	230/460	AAF6B1.5T61	LM15648	K, M	83	791	LT-1E	
1200		182T	85.5	1.25	230/460	AAF6P1.5T61	LM15636	K, V	83	678	LT-1B	
1200		182T	85.5	1.15	230/460	SSF6P1.5T61	LM24933	H, V, D - G130015	54	994	LT-1B	
900		184T	72.0	1.15	230/460	AAF8S1.5T61	LM01301	H, S, X	71	1020	LT-1A	
2	3600	56H	82.5	1.15	230/460	SRF2S2T61	LM24347	H	39	516	LT-1A	
	3600	145T	84.0	1.25	230/460	SSF2P2T61	LM24089	H, V	31	561	LT-1B	
	1800	56H	82.5	1.15	230/460	SRF4S2T61	LM24097	H, S, W	40	455	LT-1A	
	1800	145T	85.5	1.25	230/460	SSF4P2T61	LM24090	A, H, V	41	455	LT-1B	
	1800	145T	85.5	1.15	230/460	CCN4B2T61	LM24127	C, H, W	64	730	LT-1E	
	1800	145T	84.0	1.25	230/460	CCF4P2T61	LM24115	C, H, V	57	625	LT-3B	
	1200	184T	87.5	1.25	230/460	AAF6B2T61	LM15651	C, K, M	92	879	LT-1E	
	1200	184T	86.5	1.25	230/460	AAF6P2T61	LM15639	K, V	92	731	LT-1B	
	1200	184T	86.5	1.15	230/460	SSF6P2T61	LM24934	H, V, D - G130016	72	730	LT-1B	
	900	213T	75.5	1.15	230/460	AF8S2T61	LM01423		101	1210	LT-1A	
3	3600	56H	84.0	1.15	230/460	SRF2S3T61	LM24935	H	51	604	LT-1A	
	3600	182T	85.5	1.15	230/460	SSF2P3T61	LM24936	H, S, ♦, D - G130099	64	644	LT-1B	
	3600	182T	87.5	1.25	230/460	AAF2B3T61	LM15646	H, M	83	1044	LT-1E	
	3600	182T	85.5	1.25	230/460	AAF2P3T61	LM15634	H, V	83	675	LT-1B	
	1800	182T	90.2	1.25	230/460	AAF4B3T61	LM15647	H, V	83	755	LT-1E	
	1800	182T	87.5	1.25	230/460	AAF4P3T61	LM15635	H, P, D	83	634	LT-1B	
	1800	182T	87.5	1.15	230/460	SSF4P3T61	LM24937	H, S, Y, D - G130008	77	542	LT-1B	
	1800	182T	87.5	1.25	230/460	CCF4P3T61AP21	LM24189	H, V, S	90	576	LT-3B	
	1800	182T	87.5	1.25	230/460	AAF4P3T61AP23	LM70001	H, NN	60	493	LT-1B	
	1200	213T	89.5	1.25	230/460	AF6B3T61	LM16030	K, M	127	1265	LT-1E	
1200	213T	87.5	1.25	230/460	AF6P3T61	LM16018	K, P	127	1017	LT-1B		
1200	213T	87.5	1.15	230/460	SSF6P3T61	LM24938	H, V	125	921	LT-1B		
900	215T	77.0	1.15	230/460	AF8S3T61	LM30262		119	1282	LT-1A		

Prices and data subject to change without notice.

Product numbers in red are STOCK items.

TEFC
208, 230/460 AND 460 VOLTS • 3-PHASE
FOOT MOUNT & C-FACE
1/4 TO 400 HP



FOOT MOUNT (cont'd)

HP	SYN RPM	Frame	FL Nom Eff (%)	SF	Volts	Model Number	Product Number	Notes (see page 306)	Approx Shpg Wght (lbs)	List Price	Mult Sym	
5	3600	184T	89.5	1.25	230/460	AAF2B5T61	LM15649	H, V	92	\$1120	LT-1E	
	3600	184T	87.5	1.25	230/460	AAF2P5T61	LM15637	H, S, V, ♣	92	822	LT-1B	
	3600	184T	87.5	1.15	230/460	SSF2P5T61	LM24939	H, D - G130101	81	788	LT-1B	
	1800	184T	90.2	1.25	230/460	AAF4B5T61	LM15650	H, W	92	884	LT-1E	
	1800	184T	87.5	1.25	230/460	AAF4P5T61	LM15638	H, ♥, D	92	703	LT-1B	
	1800	184T	87.5	1.25	230/460	CCF4P5T61AP21	LM24180	H, S, W	123	665	LT-3B	
	1800	184T	87.5	1.15	230/460	SSF4P5T61	LM24940	H,S,W,♣,D - G130027	85	617	LT-1B	
	1800	184T	87.5	1.25	230/460	AAF4P5T61AP23	LM70002*	H, NN, ♥	75	539	LT-1B	
	1200	215T	89.5	1.25	230/460	AF6B5T61	LM16033	K, M	138	1466	LT-1E	
	1200	215T	87.5	1.25	230/460	AF6P5T61	LM16021	K, P	138	1276	LT-1B	
	1200	215T	87.5	1.15	230/460	SSF6P5T61	LM24941	H, V	140	1108	LT-1B	
	900	254T	81.5	1.15	230/460	AF8S5T61	LM30568		159	1800	LT-1A	
	7 1/2	3600	213T	91.0	1.25	230/460	AF2B7.5T61	LM28968	H, M	127	1205	LT-1E
		3600	G213T	88.5	1.25	230/460	AF2P7.5T61	LM16016	H, P	127	1071	LT-1B
		3600	213T	89.5	1.15	230/460	SSF2P7.5T61	LM24942	H, S, X, ♦	109	960	LT-1B
1800		213T	91.0	1.25	230/460	AF4B7.5T61	LM16029	H, N	127	1162	LT-1E	
1800		213T	89.5	1.25	230/460	AF4P7.5T61	LM16017	H, P, D	127	1033	LT-1B	
1800		213T	89.5	1.25	230/460	CCF4P7.5T61AP21	LM24183	H, S, W	194	848	LT-3B	
1800		213T	89.5	1.15	230/460	SSF4P7.5T61	LM24943	H, S, W, ♣	115	827	LT-1B	
1800		213T	89.5	1.25	230/460	AAF4P7.5T61AP23	LM70003	H, NN, ♥	110	773	LT-1B	
1200		254T	91.0	1.25	230/460	AF6B7.5T61	LM15672	K, P	209	2155	LT-1E	
1200		254T	89.5	1.25	230/460	AAF6P7.5T61	LM15660	K, P	209	1953	LT-1B	
900		256T	82.5	1.15	230/460	AF8S7.5T61	LM30120		195	2130	LT-1A	
10		3600	215T	91.0	1.25	230/460	AF2B10T61	LM16031	H, N	138	1465	LT-1E
		3600	G215T	89.5	1.25	230/460	AF2P10T61	LM16019	H, P	138	1271	LT-1B
		3600	215T	89.5	1.15	230/460	SSF2P10T61	LM24944	H, W	126	1221	LT-1B
		1800	215T	91.0	1.25	230/460	AF4B10T61	LM16032	H, N	138	1465	LT-1E
	1800	215T	89.5	1.25	230/460	AAF4P10T61	LM16020	H, Q, D	138	1144	LT-1B	
	1800	215T	89.5	1.15	230/460	CCF4P10T61AP21	LM24185	J, S, Q	227	1032	LT-3B	
	1800	215T	91.0	1.15	230/460	SSF4P10T61	LM24945	H, W	135	1022	LT-1B	
	1800	215T	89.5	1.25	230/460	AAF4P1061AP23	LM70004	H, NN, ♥	125	848	LT-1B	
	1200	256T	91.0	1.25	230/460	AF6B10T61	LM15675	K, N	236	2532	LT-1E	
	1200	256T	89.5	1.25	230/460	AAF6P10T61	LM15663	K, N	236	2218	LT-1B	
	15	3600	254T	91.7	1.25	230/460	AAF2B15T61	LM15670	H, M	209	2008	LT-1E
		3600	G254T	90.2	1.25	230/460	AAF2P15T61	LM15658	H, N	209	1711	LT-1B
		1800	254T	92.4	1.25	230/460	AAF4B15T61	LM15671	H, M	209	1800	LT-1E
		1800	254T	91.0	1.25	230/460	AF4P15T61	LM15659	H, N	209	1607	LT-1B
		1800	254T	91.0	1.25	230/460	CCF4P15T61AP21	LM24182	H, S, W	365	1522	LT-3B
1200		284T	92.4	1.25	230/460	AF6B15T61Y	LM13962	C, K, X	363	3391	LT-1E	
1200		284T	90.2	1.25	230/460	AF6P15T61Y	LM13950	C, K, X	363	2991	LT-1C	
20	3600	256T	91.7	1.25	230/460	AF2B20T61	LM15673	H, N	236	2615	LT-1E	
	3600	256T	90.2	1.25	230/460	AAF2P20T61	LM15661	H, Q	236	2031	LT-1B	
	1800	256T	93.0	1.25	230/460	AAF4B20T61	LM15674	C, H, M	236	2259	LT-1E	
	1800	256T	91.0	1.25	230/460	AAF4P20T61	LM15662	H, Q	236	1905	LT-1B	
	1800	256T	91.0	1.15	230/460	CCF4P20T61AP21	LM24186	J, Q, S	420	1803	LT-3B	
	1200	286T	93.0	1.25	230/460	AF6B20T61Y	LM13965	C, K, M	408	4453	LT-1E	
	1200	286T	90.2	1.25	230/460	AF6P20T61Y	LM13953	C, K, Q	408	3423	LT-1C	
	25	3600	284TS	93.0	1.25	230/460	AF2B25TS61Y	LM13960	H, S, T	363	3839	LT-1E
		3600	284TS	91.0	1.25	230/460	AF2P25TS61Y	LM13948	H, P	363	3118	LT-1C
3600		284T	91.0	1.25	230/460	AF2P25T61Y	LM18899	H, P	363	3118	LT-1C	
1800		284T	94.1	1.25	230/460	AF4B25T61Y	LM13961	C, H, M	363	3022	LT-1E	
1800		284T	92.4	1.25	230/460	AF4P25T61Y	LM13949	C, H, Q	363	2750	LT-1C	
1800		284TS	92.4	1.25	230/460	AF4P25TS61Y	LM20258	C, H, Q	363	2750	LT-1C	
1800		284T	92.4	1.15	230/460	CCF4P25T61Y	LM15786	S	440	2349	LT-3C	
1200		324T	93.0	1.25	230/460	SF6B25T61Y	LM13696	C, K, N	504	5587	LT-1E	
1200		324T	91.7	1.25	230/460	SF6P25T61Y	LM13540	C, K, S, X, ♦	504	5396	LT-1C	

Prices and data subject to change without notice.

Product numbers in red are STOCK items.



TEFC

**208, 230/460 AND 460 VOLTS • 3-PHASE
FOOT MOUNT & C-FACE
1/4 TO 400 HP**

FOOT MOUNT (cont'd)

HP	SYN RPM	Frame	FL Nom Eff (%)	SF	Volts	Model Number	Product Number	Notes (see page 306)	Approx Shpg Wght (lbs)	List Price	Mult Sym	
30	3600	286TS	93.0	1.25	230/460	AF2B30TS61Y	LM13963	H, M	408	\$4086	LT-1E	
	3600	286TS	91.0	1.25	230/460	AF2P30TS61Y	LM13951	H, Q	408	3404	LT-1C	
	3600	286T	91.0	1.25	230/460	AF2P30T61Y	LM18902	H, Q, S	408	3403	LT-1C	
	1800	286T	94.5	1.25	230/460	AF4B30T61Y	LM13964	C, M	408	3938	LT-1E	
	1800	286T	92.4	1.25	230/460	AF4P30T61Y	LM13952	C, P, S	408	3044	LT-1C	
	1800	286TS	92.4	1.25	230/460	AF4P30TS61Y	LM20263	C, H, P	408	3044	LT-1C	
	1800	286T	92.4	1.15	230/460	CCF4P30T61Y	LM15789	H, S, ▼	494	2808	LT-3C	
	1200	326T	92.4	1.25	230/460	SF6B30T61Y	LM13697	C, K, Q	558	5618	LT-1E	
	1200	326T	91.7	1.25	230/460	SF6P30T61Y	LM13541	C, K, Q	570	5535	LT-1C	
	40	3600	324TS	94.1	1.25	230/460	SF2B40TS61Y	LM13698	H, P	504	5728	LT-1E
		3600	324TS	91.7	1.25	230/460	SF2P40TS61Y	LM13542	H, Q	504	4884	LT-1C
		3600	324T	91.7	1.25	230/460	SF2P40T61Y	LM18395	H, Q, S	504	4694	LT-1C
1800		324T	94.1	1.25	230/460	SF4B40T61Y	LM13699	C, M	504	6097	LT-1E	
1800		324T	93.0	1.25	230/460	SF4P40T61Y	LM13543	C, S, X, ▼	504	4113	LT-1C	
1800		324TS	93.0	1.25	230/460	SF4P40TS61Y	LM18394	C, M, S, ▼	504	4113	LT-1C	
1200		364T	94.5	1.25	230/460	SF6B40T61Y	LM13918	C, P	765	7618	LT-1E	
1200		364T	93.0	1.15	230/460	SF6P40T61Y	LM14798	C, P, S	765	5924	LT-1C	
50		3600	326TS	94.1	1.25	230/460	SF2B50TS61Y	LM13700	H, M	558	5980	LT-1E
	3600	326TS	92.4	1.25	230/460	SF2P50TS61Y	LM13544	H, Q	558	5701	LT-1C	
	3600	326T	92.4	1.25	230/460	SF2P50T61Y	LM18397	H, Q	558	5701	LT-1C	
	1800	326T	95.0	1.25	230/460	SF4B50T61Y	LM13701	C, H, M	558	5707	LT-1E	
	1800	326T	93.0	1.25	230/460	SF4P50T61Y	LM13545	C, H, N	558	4618	LT-1C	
	1800	326TS	93.0	1.25	230/460	SF4P50TS61Y	LM17556	C, H, N	558	4618	LT-1C	
	1200	365T	94.5	1.25	230/460	SF6B50T61Y	LM13921	C, M	822	8237	LT-1E	
	1200	365T	93.0	1.25	230/460	SF6P50T61Y	LM14801	C, P, S	822	7054	LT-1C	
	60	3600	364TS	95.0	1.25	230/460	SF2B60TS61Y	LM14808	H, M	765	8696	LT-1E
		3600	364TS	93.0	1.25	230/460	SF2P60TS61Y	LM13904	H, N	765	6871	LT-1C
3600		364T	93.0	1.25	230/460	SF2P60T61Y	LM20276	H, N	765	6730	LT-1C	
1800		364T	95.0	1.25	230/460	SF4B60T61Y	LM14809	C, H, N	765	8023	LT-1E	
1800		364T	93.6	1.25	230/460	SF4P60T61Y	LM14797	H, N	765	6367	LT-1C	
1800		364TS	93.6	1.25	230/460	SF4P60TS61Y	LM18398	H, N	765	6367	LT-1C	
1200		404T	94.5	1.15	230/460	SF6B60T61Y	LM13938	C, P, S	918	9679	LT-1E	
1200		404T	93.6	1.15	230/460	SF6P60T61Y	LM13928	S, X	918	8498	LT-1D	
75		3600	365TS	95.0	1.25	230/460	SF2B75TS61Y	LM14810	H, M	822	9554	LT-1E
		3600	365TS	93.0	1.25	230/460	SF2P75TS61Y	LM14799	H, Q	822	8182	LT-1C
	3600	365T	93.0	1.25	230/460	SF2P75T61Y	LM20189	H, Q	822	8182	LT-1C	
	1800	365T	95.0	1.15	230/460	SF4B75T61Y	LM14811	C, J, N	822	9472	LT-1E	
	1800	365T	94.1	1.25	230/460	SF4P75T61Y	LM14800	H, Q	822	8030	LT-1C	
	1800	365TS	94.1	1.25	230/460	SF4P75TS61Y	LM18399	H, Q	822	8030	LT-1C	
	1200	405T	94.5	1.15	230/460	SF6B75T61Y	LM13941	K, P	1002	12563	LT-1E	
	1200	405T	93.6	1.15	230/460	SF6P75T61Y	LM13931	K, Q	1002	11028	LT-1D	
	100	3600	405TS	95.8	1.15	230/460	SF2B100TS61Y	LM13939	J, M	1002	13427	LT-1E
3600		405TS	93.6	1.15	230/460	SF2P100TS61Y	LM13929	J, N	1002	11195	LT-1D	
3600		405T	93.6	1.15	230/460	SF2P100T61Y	LM20286	J, N	1002	11195	LT-1D	
1800		405T	95.4	1.15	230/460	SF4B100T61Y	LM13940	C, J, M	1002	11942	LT-1E	
1800		405T	94.5	1.15	230/460	SF4P100T61Y	LM13930	J, M	1002	9702	LT-1D	
1800		405TS	94.5	1.15	230/460	SF4P100TS61Y	LM20284	J, M	1002	9702	LT-1D	
1200		444T	95.4	1.15	460	SF6B100T64Y	LM13702	C, U	1351	16055	LT-1E	
1200		444T	94.1	1.15	460	SF6P100T64Y	LM13546	U	1351	12915	LT-1D	
125		3600	444TS	95.8	1.15	460	SF2B125TS64Y	LM13703	N	1351	17215	LT-1E
		3600	444TS	94.5	1.15	460	SF2P125TS64Y	LM13547	M	1351	13635	LT-1D
	1800	444T	96.2	1.15	460	SF4B125T64Y	LM13704	C, M	1351	15945	LT-1E	
	1800	444T	94.5	1.15	460	SF4P125T64Y	LM13548	C	1351	12968	LT-1D	
	1800	444TS	94.5	1.15	460	SF4P125TS64Y	LM22760	C, M	1351	12968	LT-1D	
	1200	445T	95.8	1.15	460	SF6B125T64Y	LM13705	C, M	1531	19481	LT-1E	
	1200	445T	94.1	1.15	460	SF6P125T64Y	LM13549	C, S, M, ◆	1504	15427	LT-1D	

Prices and data subject to change without notice.

Product numbers in red are STOCK items.

TEFC
208, 230/460 AND 460 VOLTS • 3-PHASE
FOOT MOUNT & C-FACE
1/4 TO 400 HP



FOOT MOUNT (cont'd)

HP	SYN RPM	Frame	FL Nom Eff (%)	SF	Volts	Model Number	Product Number	Notes (see page 306)	Approx Shpg Wght (lbs)	List Price	Mult Sym	
150	3600	445TS	96.2	1.15	460	SF2B150TS64Y	LM13706	M	1531	\$21308	LT-1E	
	3600	445TS	94.5	1.15	460	SF2P150TS64Y	LM13550	N	1531	16875	LT-1D	
	1800	445T	96.2	1.15	460	SF4B150T64Y	LM13707	C, N	1531	18667	LT-1E	
	1800	445T	95.0	1.15	460	SF4P150T64Y	LM13551	C, N	1504	15042	LT-1D	
	1800	445TS	95.0	1.15	460	SF4P150TS64Y	LM16158	C, N	1504	15042	LT-1D	
	1200	447T	95.8	1.15	460	SF6B150T64Y	LM16231	C, T	1812	23973	LT-1E	
	1200	445T	95.8	1.15	460	SF6B150T64Y	LM13708	C, U	1531	22832	LT-1E	
	1200	447T	95.0	1.15	460	SF6P150T64Y	LM16221	C, U	1812	18985	LT-1D	
	1200	445T	95.0	1.15	460	SF6P150T64Y	LM13552	C	1504	18081	LT-1D	
	200	3600	447TS	96.2	1.15	460	SF2B200TS64Y	LM16229	N	1812	28353	LT-1E
3600		445TS	96.2	1.15	460	SF2B200TS64Y	LM13709	N	1531	27001	LT-1E	
3600		447TS	95.0	1.15	460	SF2P200TS64Y	LM16219	N	1812	22456	LT-1D	
3600		445TS	95.0	1.15	460	SF2P200TS64Y	LM13553	N	1504	21384	LT-1D	
1800		447T	96.5	1.15	460	SF4B200T64Y	LM16230	C, N	1812	23594	LT-1E	
1800		445T	96.2	1.15	460	SF4B200T64Y	LM13710	C, N	1531	22472	LT-1E	
1800		447T	95.0	1.15	460	SF4P200T64Y	LM16220	C, N	1812	19198	LT-1D	
1800		445T	95.0	1.15	460	SF4P200T64Y	LM13554	C, S, M, ♣	1504	18603	LT-1D	
1800		445TS	95.0	1.15	460	SF4P200TS64Y	LM15941	C, ♠, ♣	1504	18603	LT-1D	
1200		447T	95.8	1.15	460	SF6B200T64Y	LM13711	C, U	1812	26094	LT-1E	
1200	447T	95.0	1.15	460	SF6P200T64Y	LM13555	C, S	1812	20665	LT-1D		
250	3600	449TS	96.5	1.15	460	SF2B250TS64Y	LM16232	N	2185	34250	LT-1E	
	3600	447TS	96.2	1.15	460	SF2B250TS64Y	LM13712	U	1812	32620	LT-1E	
	3600	449TS	95.4	1.15	460	SF2P250TS64Y	LM16222	U	2185	27122	LT-1D	
	3600	447TS	95.4	1.00	460	SF2P250TS64Y	LM13556		1812	25832	LT-1D	
	1800	449T	96.5	1.15	460	SF4B250T64Y	LM16233	M	2185	28160	LT-1E	
	1800	447T	96.2	1.15	460	SF4B250T64Y	LM13713	N	1812	26818	LT-1E	
	1800	449T	95.0	1.15	460	SF4P250T64Y	LM16223	U	2185	23317	LT-1D	
	1800	447T	95.0	1.15	460	SF4P250T64Y	LM13557	U	1812	22205	LT-1D	
	1800	447TS	95.0	1.15	460	SF4P250TS64Y	LM14751	U	1812	22205	LT-1D	
	300	3600	449TS	96.2	1.15	460	SF2B300TS64Y	LM13715	U	2185	40607	LT-1E
3600		449TS	95.4	1.15	460	SF2P300TS64Y	LM13559		2185	31572	LT-1D	
1800		449T	96.5	1.15	460	SF4B300T64Y	LM17956	N	2185	30823	LT-1E	
1800		447T	96.2	1.15	460	SF4B300T64Y	LM13716	N	1812	29356	LT-1E	
1800		449T	95.4	1.15	460	SF4P300T64Y	LM17953	U	2185	24374	LT-1D	
1800		449TS	95.4	1.15	460	SF4P300TS64Y	LM18347	U	2185	24374	LT-1D	
1800		447T	95.4	1.00	460	SF4P300T64Y	LM13560		1812	23215	LT-1D	
1800		447TS	95.4	1.00	460	SF4P300TS64Y	LM18319		1812	23215	LT-1D	
350		3600	449TS	95.8	1.15	460	SF2B350TS64Y	LM13719	U	2185	44218	LT-1E
		3600	449TS	95.4	1.00	460	SF2P350TS64Y	LM13562		2185	35014	LT-1D
	1800	449T	96.2	1.15	460	SF4B350T64Y	LM13720	U	2185	36244	LT-1E	
	1800	449T	95.4	1.15	460	SF4P350T64Y	LM13563		2185	24044	LT-1D	
400	3600	449TS	95.8	1.00	460	SF2B400TS64Y	LM13721		2185	54001	LT-1E	
	3600	449TS	95.4	1.00	460	SF2P400TS64Y	LM13564		2185	42767	LT-1D	
	1800	449T	96.2	1.15	460	SF4B400T64Y	LM13722	U	2185	41678	LT-1E	
	1800	449T	95.4	1.00	460	SF4P400T64Y	LM13565		2185	31800	LT-1D	

Prices and data subject to change without notice.

Product numbers in red are STOCK items.



TEFC

**208, 230/460 AND 460 VOLTS • 3-PHASE
FOOT MOUNT & C-FACE
1/4 TO 400 HP**

C-FACE WITH FEET

HP	SYN RPM	Frame	FL Nom Eff (%)	SF	Volts	Model Number	Product Number	Notes (see page 306)	Approx Shpg Wght (lbs)	List Price	Mult Sym
1/4	1800	56C	62.5	1.15	230/460	SRF4S0.25TC61	LM24946	H, V	21	\$323	LT-1A
1/3	1800	56C	65.5	1.15	230/460	SRF4S0.33TC61	LM24114	H	21	357	LT-1A
	1200	56C	62.0	1.15	230/460	SRF6S0.33TC61	LM24948	H, W	22	527	LT-1A
1/2	3600	56C	69.0	1.15	230/460	SRF2S0.5TC61	LM24129	H, W	22	364	LT-1A
	1800	56C	70.0	1.15	230/460	SRF4S0.5TC61	LM24074	H	18	402	LT-1A
	1200	56C	68.0	1.15	230/460	SRF6S0.5TC61	LM24104	H, Y	24	565	LT-1A
	900	143TC	66.0	1.15	230/460	SSF8S0.5TC61	LM24949	K, Y	31	811	LT-1A
3/4	3600	56C	74.0	1.15	230/460	SRF2S0.75TC61	LM24134	H, W	22	399	LT-1A
	1800	56C	75.5	1.15	230/460	SRF4S0.75TC61	LM24076	H	20	429	LT-1A
	1200	56C	74.0	1.15	230/460	SRF6S0.75TC61	LM24140	H	26	577	LT-1A
	1200	143TC	74.0	1.15	230/460	SSF6S0.75TC61	LM24273	K, S	28	577	LT-1A
	900	145TC	70.0	1.15	230/460	SSF8S0.75TC61	LM24265	K	49	923	LT-1A
1	3600	56C	74.0	1.15	230/460	SRF2S1TC61	LM24126	H, W	25	460	LT-1A
	1800	56C	77.0	1.15	230/460	SRF4S1TC61	LM24079	H, W	28	464	LT-1A
	1800	143TC	82.5	1.25	230/460	SSF4P1TC61	LM24085	C, H, V	41	444	LT-1B
	1200	56HC	78.5	1.15	230/460	SRF6S1TC61	LM24349	H	38	583	LT-1A
	1200	145TC	80.0	1.25	230/460	SSF6P1TC61	LM24122	K, W	47	629	LT-1B
	900	182TC	70.0	1.15	230/460	AAF8S1TC61	LM01263	H, V	68	902	LT-1A
	1 1/2	3600	56C	80.0	1.15	230/460	SRF2S1.5TC61	LM24135	H	41	501
3600		143TC	82.5	1.25	230/460	SSF2P1.5TC61	LM24950	H, V	41	529	LT-1B
1800		56HC	80.0	1.15	230/460	SRF4S1.5TC61	LM24095	H	31	470	LT-1A
1800		145TC	84.0	1.25	230/460	SSF4P1.5TC61	LM24086	H, V	44	472	LT-1B
1200		182TC	87.5	1.25	230/460	AAF6B1.5TC61	LM16728	K, M	95	853	LT-1E
1200		182TC	85.5	1.25	230/460	AAF6P1.5TC61	LM13662	K, V	85	753	LT-1B
1200		182TC	85.5	1.15	230/460	SSF6P1.5TC61	LM24951	H, V	54	742	LT-1B
900		184TC	72.0	1.15	230/460	AAF8S1.5TC61	LM01304	H, ♦	75	1084	LT-1A
2	3600	56HC	82.5	1.15	230/460	SRF2S2TC61	LM24121	H	38	557	LT-1A
	3600	145TC	84.0	1.25	230/460	SSF2P2TC61	LM24113	H, V	40	603	LT-1B
	1800	56HC	82.5	1.15	230/460	SRF4S2TC61	LM24081	H, V	50	477	LT-1A
	1800	145TC	85.5	1.25	230/460	SSF4P2TC61	LM24087	H, V	46	496	LT-1B
	1200	184TC	87.5	1.25	230/460	AAF6B2TC61	LM16739	C, K, M	104	942	LT-1E
	1200	184TC	86.5	1.25	230/460	AAF6P2TC61	LM13665	K, V	104	795	LT-1B
	1200	184TC	86.5	1.15	230/460	SSF6P2TC61	LM24952	H, V	56	793	LT-1B
	900	213TC	75.5	1.15	230/460	AAF8S2TC61	LM01426		107	1282	LT-1A
3	3600	56HC	84.0	1.15	230/460	SRF2S3TC61	LM24953	H	53	644	LT-1A
	3600	182TC	87.5	1.25	230/460	AAF2B3TC61	LM16741	H, S, V	95	934	LT-1E
	3600	182TC	85.5	1.25	230/460	AAF2P3TC61	LM13666	H, V	95	740	LT-1B
	3600	182TC	85.5	1.15	230/460	SSF2P3TC61	LM24954	H, V, D - G131899	66	678	LT-1B
	1800	182TC	90.2	1.25	230/460	AAF4B3TC61	LM16742	H, V	95	819	LT-1E
	1800	182TC	87.5	1.25	230/460	AAF4P3TC61	LM13667	H, S, Y	95	684	LT-1B
	1800	182TC	87.5	1.15	230/460	SSF4P3TC61	LM24955	H, D - G130326	79	610	LT-1B
	1200	213TC	89.5	1.25	230/460	AF6B3TC61	LM16744	K, M	138	1341	LT-1E
	1200	213TC	87.5	1.25	230/460	AF6P3TC61	LM13668	K, P	138	1067	LT-1B
	1200	213TC	87.5	1.15	230/460	SSF6P3TC61	LM24956	H, V	90	992	LT-1B
	900	215TC	77.0	1.15	230/460	AF8S3TC61	LM01475		125	1355	LT-1A
	5	3600	184TC	89.5	1.25	230/460	AAF2B5TC61	LM16745	H, N	104	1056
3600		184TC	87.5	1.25	230/460	AAF2P5TC61	LM13669	H, ♣	104	884	LT-1B
3600		184TC	87.5	1.15	230/460	SSF2P5TC61	LM24957	H, W, D - G131173	85	852	LT-1B
1800		184TC	90.2	1.25	230/460	AAF4B5TC61	LM16747	H, W	104	950	LT-1E
1800		184TC	87.5	1.25	230/460	AAF4P5TC61	LM13744	H, ♥	104	766	LT-1B
1800		184TC	87.5	1.15	230/460	SSF4P5TC61	LM24958	♣, N, S, D - G130328	90	681	LT-1B
1200		215TC	89.5	1.25	230/460	AF6B5TC61	LM16748	K, M	149	1538	LT-1E
1200		215TC	87.5	1.25	230/460	AF6P5TC61	LM13800	K, P	149	1349	LT-1B
1200		215TC	87.5	1.15	230/460	SSF6P5TC61	LM24959	H, V	115	1179	LT-1B
900		254TC	81.5	1.15	230/460	AF8S5TC61	LM01569		167	1895	LT-1A

Prices and data subject to change without notice.

Product numbers in red are STOCK items.

TEFC
208, 230/460 AND 460 VOLTS • 3-PHASE
FOOT MOUNT & C-FACE
1/4 TO 400 HP



C-FACE WITH FEET (cont'd)

HP	SYN RPM	Frame	FL Nom Eff (%)	SF	Volts	Model Number	Product Number	Notes (see page 306)	Approx Shpg Wght (lbs)	List Price	Mult Sym	
7 1/2	3600	213TC	91.0	1.25	230/460	AAF2B7.5TC61	LM16750	H, M	138	\$1278	LT-1E	
	3600	G213TC	88.5	1.25	230/460	AF2P7.5TC61	LM13835	H, P	138	1148	LT-1B	
	3600	213TC	89.5	1.15	230/460	SSF2P7.5TC61	LM24960	H, ♦	118	1032	LT-1B	
	1800	213TC	91.0	1.25	230/460	AF4B7.5TC61	LM16752	H, N	138	1250	LT-1E	
	1800	213TC	89.5	1.25	230/460	AF4P7.5TC61	LM16240	H, P	138	1124	LT-1B	
	1800	213TC	89.5	1.15	230/460	SSF4P7.5TC61	LM24961	H, ♣	135	979	LT-1B	
	1200	254TC	91.0	1.25	230/460	AAF6B7.5TC61	LM16753	K, P	221	2104	LT-1E	
	1200	254TC	89.5	1.25	230/460	AAF6P7.5TC61	LM16241	K, P	221	1930	LT-1B	
	900	256TC	82.5	1.15	230/460	AF8S7.5TC61	LM01614		203	2227	LT-1A	
	10	3600	215TC	91.0	1.25	230/460	AF2B10TC61	LM16755	H, N	149	1538	LT-1E
3600		G215TC	89.5	1.25	230/460	AF2P10TC61	LM16242	H, P	149	1344	LT-1B	
3600		215TC	89.5	1.15	230/460	SSF2P10TC61	LM24962	H	125	1292	LT-1B	
1800		215TC	91.0	1.25	230/460	AF4B10TC61	LM16757	H, N	149	1537	LT-1E	
1800		215TC	89.5	1.25	230/460	AF4P10TC61	LM16243	H, Q	149	1183	LT-1B	
1800		215TC	91.0	1.15	230/460	SSF4P10TC61	LM24963	H, W	135	1082	LT-1B	
1200		256TC	91.0	1.25	230/460	AF6B10TC61	LM16759	K, M	248	2630	LT-1E	
1200		256TC	89.5	1.25	230/460	AAF6P10TC61	LM16244	K, N	248	2314	LT-1B	
15		3600	254TC	91.7	1.25	230/460	AF2B15TC61	LM16761	H, M	221	2104	LT-1E
		3600	G254TC	90.2	1.25	230/460	AAF2P15TC61	LM16245	H, N	221	1809	LT-1B
	1800	254TC	92.4	1.25	230/460	AF4B15TC61	LM16762	H, M, S	221	2165	LT-1E	
	1800	254TC	91.0	1.25	230/460	AAF4P15TC61	LM16246	H, N	247	1702	LT-1B	
	1200	284TC	92.4	1.25	230/460	AF6B15TC61Y	LM16764	C, K, M	370	3558	LT-1E	
	1200	284TC	90.2	1.25	230/460	AF6P15TC61Y	LM16247	C, K, Q	370	3075	LT-1C	
	20	3600	256TC	91.7	1.25	230/460	AF2B20TC61	LM16766	H, N	248	2648	LT-1E
		3600	256TC	90.2	1.25	230/460	AF2P20TC61	LM16248	H, Q	248	2126	LT-1B
		1800	256TC	93.0	1.25	230/460	AF4B20TC61	LM16767	C, H, M	248	2354	LT-1E
		1800	256TC	91.0	1.25	230/460	AF4P20TC61	LM16249	H, Q	284	2002	LT-1B
1200		286TC	93.0	1.25	230/460	AF6B20TC61Y	LM16769	C, K, M	415	4618	LT-1E	
1200		286TC	90.2	1.25	230/460	AF6P20TC61Y	LM16250	C, K, Q	415	3591	LT-1C	
25		3600	284TSC	92.4	1.25	230/460	AF2B25TSC61Y	LM16770	H, M	370	3482	LT-1E
		3600	284TSC	91.0	1.25	230/460	AF2P25TSC61Y	LM16251	H, P	370	3126	LT-1C
		1800	284TC	94.1	1.25	230/460	AF4B25TC61Y	LM16772	H, M	370	3157	LT-1E
		1800	284TC	92.4	1.25	230/460	AF4P25TC61Y	LM16252	H, Q, S	370	2748	LT-1C
	1800	284TSC	92.4	1.25	230/460	AF4P25TSC61Y	LM18897	H, Q, S	370	2741	LT-1C	
	1200	324TC	93.0	1.25	230/460	SF6B25TC61Y	LM13723	C, K, N	514	5354	LT-1E	
	1200	324TC	91.7	1.25	230/460	SF6P25TC61Y	LM13566	C, K, ♦	514	5579	LT-1C	
	30	3600	286TSC	93.0	1.25	230/460	AF2B30TSC61Y	LM16773	H, M	415	4098	LT-1E
		3600	286TSC	91.0	1.25	230/460	AF2P30TSC61Y	LM16253	H, Q, S	415	3417	LT-1C
		1800	286TC	94.5	1.25	230/460	AF4B30TC61Y	LM16774	H, M	415	4102	LT-1E
1800		286TC	92.4	1.25	230/460	AF4P30TC61Y	LM16254	H, P	415	3211	LT-1C	
1800		286TSC	92.4	1.25	230/460	AF4P30TSC61Y	LM18907	H, P, S	415	3211	LT-1C	
1200		326TC	92.4	1.25	230/460	SF6B30TC61Y	LM13724	C, K, Q	568	5894	LT-1E	
1200		326TC	91.7	1.25	230/460	SF6P30TC61Y	LM13567	C, K, Q	580	5589	LT-1C	
40		3600	324TSC	94.1	1.25	230/460	SF2B40TSC61Y	LM13725	H, P	514	6121	LT-1E
		3600	324TSC	91.7	1.25	230/460	SF2P40TSC61Y	LM13568	H, Q	514	4828	LT-1C
		1800	324TC	94.1	1.25	230/460	SF4B40TC61Y	LM13726	C, H, M	514	5937	LT-1E
	1800	324TC	93.0	1.25	230/460	SF4P40TC61Y	LM13569	C, H, ♦	514	4196	LT-1C	
	1800	324TSC	93.0	1.25	230/460	SF4P40TSC61Y	LM16052	C, H, M, S, ♦	514	4196	LT-1C	
	1200	364TC	94.5	1.25	230/460	SF6B40TC61Y	LM15565	C, K, M	777	7776	LT-1E	
	1200	364TC	93.0	1.15	230/460	SF6P40TC61Y	LM15554	K	777	6084	LT-1C	
	50	3600	326TSC	94.1	1.25	230/460	SF2B50TSC61Y	LM13727	H, M	568	6256	LT-1E
		3600	326TSC	92.4	1.25	230/460	SF2P50TSC61Y	LM13570	H, Q	568	5449	LT-1C
		1800	326TC	95.0	1.25	230/460	SF4B50TC61Y	LM13728	C, H, M	568	5713	LT-1E
1800		326TC	93.0	1.25	230/460	SF4P50TC61Y	LM13571	C, H, N	568	4461	LT-1C	
1800		326TSC	93.0	1.25	230/460	SF4P50TSC61Y	LM16055	C, H, N	568	4461	LT-1C	
1200		365TC	94.5	1.25	230/460	SF6B50TC61Y	LM15568	C, K, M	834	8681	LT-1E	
1200		365TC	93.0	1.25	230/460	SF6P50TC61Y	LM15557	K, Q, S	834	7498	LT-1C	

Prices and data subject to change without notice.

Product numbers in red are STOCK items.



TEFC

**208, 230/460 AND 460 VOLTS • 3-PHASE
FOOT MOUNT & C-FACE
1/4 TO 400 HP**

C-FACE WITH FEET (cont'd)

HP	SYN RPM	Frame	FL Nom Eff (%)	SF	Volts	Model Number	Product Number	Notes (see page 306)	Approx Shpg Wght (lbs)	List Price	Mult Sym	
60	3600	364TSC	95.0	1.25	230/460	SF2B60TSC61Y	LM15562	H, M	777	\$8350	LT-1E	
	3600	364TSC	93.0	1.25	230/460	SF2P60TSC61Y	LM15552	H, N	777	6791	LT-1C	
	1800	364TC	95.0	1.25	230/460	SF4B60TC61Y	LM15563	C, H, N	777	7949	LT-1E	
	1800	364TC	93.6	1.25	230/460	SF4P60TC61Y	LM15553	H, N	777	6819	LT-1C	
	1800	364TSC	93.6	1.25	230/460	SF4P60TSC61Y	LM16059	H, N	777	6819	LT-1C	
	1200	404TC	94.5	1.15	230/460	SF6B60TC61Y	LM16716	C, K, P	934	10205	LT-1E	
	1200	404TC	93.6	1.15	230/460	SF6P60TC61Y	LM13654	K, ♦	934	8621	LT-1D	
	75	3600	365TSC	95.0	1.25	230/460	SF2B75TSC61Y	LM15566	H, M	834	9999	LT-1E
		3600	365TSC	93.0	1.25	230/460	SF2P75TSC61Y	LM15555	H	834	8626	LT-1C
		1800	365TC	95.0	1.15	230/460	SF4B75TC61Y	LM15567	C, J, N	834	9915	LT-1E
1800		365TC	94.1	1.25	230/460	SF4P75TC61Y	LM15556	H, Q	834	8474	LT-1C	
1800		365TSC	94.1	1.25	230/460	SF4P75TSC61Y	LM16063	H, Q	834	8474	LT-1C	
1200		405TC	94.5	1.15	230/460	SF6B75TC61Y	LM16717	K, P	1018	13088	LT-1E	
1200		405TC	93.6	1.15	230/460	SF6P75TC61Y	LM13655	K, Q	1018	11031	LT-1D	
100		3600	405TSC	95.8	1.15	230/460	SF2B100TSC61Y	LM16719	J, M	1018	13952	LT-1E
		3600	405TSC	93.6	1.15	230/460	SF2P100TSC61Y	LM13656	J, N	1018	11722	LT-1D
		1800	405TC	95.4	1.15	230/460	SF4B100TC61Y	LM15263	C, J, M	1018	12471	LT-1E
	1800	405TC	94.5	1.15	230/460	SF4P100TC61Y	LM13657	J, M	1018	10242	LT-1D	
	1800	405TSC	94.5	1.15	230/460	SF4P100TSC61Y	LM20285	J, M	1018	10242	LT-1D	
	1200	444TC	95.4	1.15	460	SF6B100TC64Y	LM13729	C, U	1372	16709	LT-1E	
	1200	444TC	94.1	1.15	460	SF6P100TC64Y	LM13572	U	1372	13569	LT-1D	
	125	3600	444TSC	95.8	1.15	460	SF2B125TSC64Y	LM13730	N	1372	17868	LT-1E
		3600	444TSC	94.5	1.15	460	SF2P125TSC64Y	LM13573	M	1372	14287	LT-1D
		1800	444TC	96.2	1.15	460	SF4B125TC64Y	LM13731	C, M	1372	16600	LT-1E
1800		444TC	94.5	1.15	460	SF4P125TC64Y	LM13574	C, M, S	1372	13638	LT-1D	
1800		444TSC	94.5	1.15	460	SF4P125TSC64Y	LM20291	C, M	1372	13638	LT-1D	
1200		445TC	95.8	1.15	460	SF6B125TC64Y	LM13732	C, U	1552	20134	LT-1E	
1200		445TC	94.1	1.15	460	SF6P125TC64Y	LM13575	C, ♦	1525	16078	LT-1D	
150		3600	445TSC	96.2	1.15	460	SF2B150TSC64Y	LM13733	M	1552	22056	LT-1E
		3600	445TSC	94.5	1.15	460	SF2P150TSC64Y	LM13576	N	1525	17529	LT-1D
		1800	445TC	96.2	1.15	460	SF4B150TC64Y	LM13734	C, N	1552	19321	LT-1E
	1800	445TC	95.0	1.15	460	SF4P150TC64Y	LM13577	C, N, S, ♣	1525	15706	LT-1D	
	1800	445TSC	95.0	1.15	460	SF4P150TSC64Y	LM20642	C, ♣	1525	15706	LT-1D	
	1200	445TC	95.8	1.15	460	SF6B150TC64Y	LM13735	C, U	1552	23487	LT-1E	
	1200	445TC	95.0	1.15	460	SF6P150TC64Y	LM13578	C	1525	18735	LT-1D	
	200	3600	445TSC	96.2	1.15	460	SF2B200TSC64Y	LM13736	N	1552	27654	LT-1E
		3600	445TSC	95.0	1.15	460	SF2P200TSC64Y	LM13579	N	1525	22037	LT-1D
		1800	445TC	96.2	1.15	460	SF4B200TC64Y	LM13737	C, N	1552	23124	LT-1E
1800		445TC	95.0	1.15	460	SF4P200TC64Y	LM13580	C, S	1525	19286	LT-1D	
1800		445TSC	95.0	1.15	460	SF4P200TSC64Y	LM20300	C	1525	19286	LT-1D	
1200		447TSC	96.2	1.15	460	SF2B250TSC64Y	LM13739	U	1833	33317	LT-1E	
1200		447TSC	95.4	1.00	460	SF2P250TSC64Y	LM13582		1833	26531	LT-1D	
1800		447TC	96.2	1.15	460	SF4B250TC64Y	LM13740	N	1833	27518	LT-1E	
1800		447TC	95.0	1.15	460	SF4P250TC64Y	LM13583	U	1833	22936	LT-1D	
300		3600	449TSC	96.2	1.15	460	SF2B300TSC64Y	LM13742	U	2206	43373	LT-1E
	3600	449TSC	95.4	1.15	460	SF2P300TSC64Y	LM13585		2206	32271	LT-1D	
	1800	447TC	96.2	1.15	460	SF4B300TC64Y	LM13743	N	1833	30056	LT-1E	
	1800	449TC	95.4	1.15	460	SF4P300TC64Y	LM19193	U	2206	25127	LT-1D	
	1800	447TC	95.4	1.00	460	SF4P300TC64Y	LM15308		1833	23966	LT-1D	

Prices and data subject to change without notice.

Product numbers in red are STOCK items.

TEFC
208, 230/460 AND 460 VOLTS • 3-PHASE
FOOT MOUNT & C-FACE
1/4 TO 400 HP



C-FACE WITH FEET (cont'd)

HP	SYN RPM	Frame	FL Nom Eff (%)	SF	Volts	Model Number	Product Number	Notes (see page 306)	Approx Shpg Wght (lbs)	List Price	Mult Sym
350	3600	449TSC	95.8	1.15	460	SF2B350TSC64Y	LM13745	U	2206	\$44917	LT-1E
	3600	449TSC	95.4	1.00	460	SF2P350TSC64Y	LM13588		2206	35715	LT-1D
	1800	449TC	96.2	1.15	460	SF4B350TC64Y	LM13746	U	2206	36943	LT-1E
	1800	449TC	95.4	1.15	460	SF4P350TC64Y	LM15400		2206	24795	LT-1D
400	3600	449TSC	95.8	1.00	460	SF2B400TSC64Y	LM13747		2206	54700	LT-1E
	3600	449TSC	95.4	1.00	460	SF2P400TSC64Y	LM13590		2206	43466	LT-1D
	1800	449TC	96.2	1.15	460	SF4B400TC64Y	LM13748	U	2206	42380	LT-1E
	1800	449TC	95.4	1.00	460	SF4P400TC64Y	LM13591		2206	32551	LT-1D

C-FACE FOOTLESS

HP	SYN RPM	Frame	FL Nom Eff (%)	SF	Volts	Model Number	Product Number	Notes (see page 306)	Approx Shpg Wght (lbs)	List Price	Mult Sym
1/4	1800	56C	62.5	1.15	230/460	SRF4S0.25TCN61	LM24964	H, V	14	\$304	LT-1A
1/3	1800	56C	65.5	1.15	230/460	SRF4S0.33TCN61	LM24093	H	15	328	LT-1A
	1200	56C	62.0	1.15	230/460	SRF6S0.33TCN61	LM24858	H, W	21	501	LT-1A
1/2	3600	56C	69.0	1.15	230/460	SRF2S0.5TCN61	LM24138	H, W	22	341	LT-1A
	1800	56C	70.0	1.15	230/460	SRF4S0.5TCN61	LM24083	H	17	400	LT-1A
	1200	56C	68.0	1.15	230/460	SRF6S0.5TCN61	LM24128	H, X	23	540	LT-1A
	900	143TC	66.0	1.15	230/460	SSF8S0.5TCN61	LM24965	K, Y	31	811	LT-1A
3/4	3600	56C	74.0	1.15	230/460	SRF2S0.75TCN61	LM24151	H, W	22	357	LT-1A
	1800	56C	75.5	1.15	230/460	SRF4S0.75TCN61	LM24077	H	21	415	LT-1A
	1200	56C	74.0	1.15	230/460	SRF6S0.75TCN61	LM24153	H	26	565	LT-1A
	1200	143TC	74.0	1.15	230/460	SSF6S0.75TCN61	LM24966	K	29	565	LT-1A
	900	145TC	70.0	1.15	230/460	SSF8S0.75TCN61	LM24967	K	49	923	LT-1A
1	3600	56C	74.0	1.15	230/460	SRF2S1TCN61	LM24139	H, W	24	423	LT-1A
	1800	56C	77.0	1.15	230/460	SRF4S1TCN61	LM24080	H, W	27	443	LT-1A
	1800	143TC	82.5	1.25	230/460	SSF4P1TCN61	LM24148	C, H, S, V	28	512	LT-1B
	1800	143TC	77.0	1.15	230/460	SSF4S1TCN61	LM24968	H, W	28	443	LT-1A
	1200	56HC	78.5	1.15	230/460	SRF6S1TCN61	LM24130	H	33	557	LT-1A
	1200	145TC	77.0	1.15	230/460	SSF6S1TCN61	LM24969	H	33	557	LT-1A
1 1/2	3600	56C	80.0	1.15	230/460	SRF2S1.5TCN61	LM24096	H	26	464	LT-1A
	3600	143TC	80.0	1.15	230/460	SSF2S1.5TCN61	LM24970	H	27	460	LT-1A
	1800	56C	80.0	1.15	230/460	SRF4S1.5TCN61	LM24112	H	29	471	LT-1A
	1800	145TC	84.0	1.25	230/460	SSF4P1.5TCN61	LM24149	H, S, V	31	516	LT-1B
	1800	145TC	80.0	1.15	230/460	SSF4S1.5TCN61	LM24971	H, W	31	456	LT-1A
	1200	182TC	75.5	1.15	230/460	SSF6S1.5TCN61	LM24972	H	69	657	LT-1A
2	3600	56HC	82.5	1.15	230/460	SRF2S2TCN61	LM24132	H	29	529	LT-1A
	3600	145TC	80.0	1.15	230/460	SSF2S2TCN61	LM24973	H	30	529	LT-1A
	1800	56HC	82.5	1.15	230/460	SRF4S2TCN61	LM24084	H, V	39	501	LT-1A
	1800	145TC	85.5	1.25	230/460	SSF4B2TCN61	LM24125	A, H, S, V	39	556	LT-1B
	1800	145TC	82.5	1.15	230/460	SSF4S2TCN61	LM24260	H, V	39	485	LT-1A
	1200	184TC	79.0	1.15	230/460	SSF6S2TCN61	LM24974	H, D - 131525	80	729	LT-1A
3	3600	56HC	84.0	1.15	230/460	SRF2S3TCN61	LM24975	H	40	604	LT-1A
	3600	145TC	84.0	1.15	230/460	SSF2S3TCN61	LM24976	H	40	604	LT-1A
	3600	182TC	82.5	1.15	230/460	SSF2S3TCN61	LM24977	H, D - 131513	72	666	LT-1A
	1800	145TC	84.0	1.15	230/460	SSF4S3TCN61	LM24978	H	50	629	LT-1A
	1800	182TC	90.2	1.25	230/460	AAF4B3TCN61	LM16824	H, V	95	819	LT-1E
	1800	182TC	87.5	1.25	230/460	AAF4P3TCN61	LM16298	H, P, S	95	670	LT-1B
	1800	182TC	82.5	1.15	230/460	SSF4S3TCN61	LM24979	H, W, D - 131491	76	596	LT-1A
	1200	213TC	80.0	1.15	230/460	SSF6S3TCN61	LM24980	H	75	919	LT-1A

Prices and data subject to change without notice.

Product numbers in red are STOCK items.



TEFC

208, 230/460 AND 460 VOLTS • 3-PHASE
 FOOT MOUNT & C-FACE
 1/4 TO 400 HP

C-FACE FOOTLESS (cont'd)

HP	SYN RPM	Frame	FL Nom Eff (%)	SF	Volts	Model Number	Product Number	Notes (see page 306)	Approx Shpg Wght (lbs)	List Price	Mult Sym
5	3600	184TC	84.0	1.15	230/460	SSF2S5TCN61	LM24981	H, D - 131514	79	\$765	LT-1A
	1800	184TC	90.2	1.25	230/460	AAF4B5TCN61	LM16825	H, W	104	950	LT-1E
	1800	184TC	87.5	1.25	230/460	AAF4P5TCN61	LM16299	H, Q, S	104	766	LT-1B
	1800	184TC	86.5	1.15	230/460	SSF4S5TCN61	LM24982	A, H, D - 131492	92	684	LT-1A
	1200	215TC	84.0	1.15	230/460	SSF6S5TCN61	LM24983	H	80	1245	LT-1A
7 1/2	3600	184TC	85.5	1.15	230/460	SSF2S7.5TCN61	LM24984	H, D - 131510	100	990	LT-1A
	3600	213TC	84.0	1.15	230/460	SSF2S7.5TCN61	LM24985	H, W	80	1002	LT-1A
	1800	213TC	91.0	1.25	230/460	AF4B7.5TCN61	LM16826	H, N	138	1301	LT-1E
	1800	213TC	89.5	1.25	230/460	AF4P7.5TCN61	LM16300	H, P, S	138	969	LT-1B
	1800	213TC	87.5	1.15	230/460	SSF4S7.5TCN61	LM24986	H	103	879	LT-1A
10	3600	215TC	86.5	1.15	230/460	SSF2S10TCN61	LM24987	H	102	1292	LT-1A
	1800	215TC	91.0	1.25	230/460	AF4B10TCN61	LM16827	H, N	149	1538	LT-1E
	1800	215TC	89.5	1.25	230/460	AF4P10TCN61	LM16301	H, Q, S	149	1162	LT-1B
	1800	215TC	88.5	1.15	230/460	SSF4S10TCN61	LM24988	H	135	1057	LT-1A
15	3600	215TC	88.5	1.15	230/460	SSF2S15TCN61	LM24989	H	125	1623	LT-1A
	1800	254TC	91.7	1.25	230/460	AF4B15TCN61	LM16828	H, M	221	2105	LT-1E
	1800	254TC	91.0	1.25	230/460	AF4P15TCN61	LM16302	H, N, S	221	1702	LT-1B
20	1800	256TC	91.7	1.25	230/460	AF4B20TCN61	LM16829	H, N	248	2523	LT-1E
	1800	256TC	91.0	1.25	230/460	AF4P20TCN61	LM16303	H, Q, S	248	2002	LT-1B

Prices and data subject to change without notice.

Product numbers in red are STOCK items.