



GC25280 Shown  
G Style

**Applications:** General purpose fixed speed including conveyors, material handling equipment and packaging machinery.

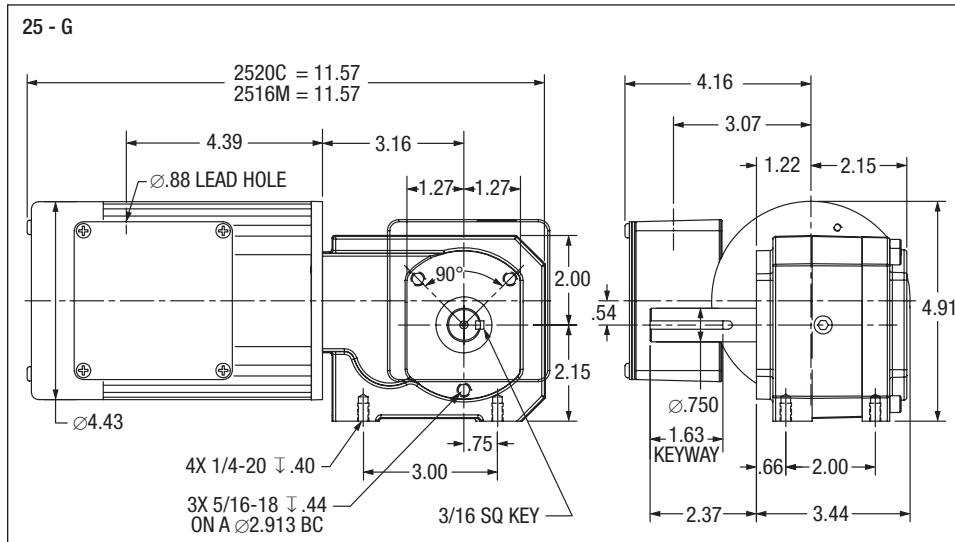
**Features:** Three and single-phase motor designs. PSC, single-phase gearmotors supplied with capacitor and conduit box. High strength bronze, ground worm first-stage and helical output stage. High performance low friction, bidirectional motor seals. Factory lubricated for life, no maintenance required. Completely sealed from the environment.

Input Motor Hp	Output RPM 60 Hz	Gear Ratio	Max. Safe Torque In. Lbs.	Catalog <sup>(a)</sup> Number	List Price	Mult. Sym.	Ap'x. Shpg. Wgt.	Motor Type & Gear Style	Enclosure	Voltage	Notes <sup>(b)</sup>
<b>Single Phase</b>											
1/6	4.9/5.9	280:1	400	<b>GC25280</b>	644	DS	15	2520C-G	TEFC	115	19,20
	7.4/8.9	190:1	385	<b>GC25190</b>	644	DS	15	2520C-G	TEFC	115	19,20
	11.6/14	120:1	300	<b>GC25120</b>	644	DS	15	2520C-G	TEFC	115	19,20
	17.5/21	80:1	290	<b>GC25080</b>	644	DS	15	2520C-G	TEFC	115	19,20
	23/28	60:1	220	<b>GC25060</b>	644	DS	15	2520C-G	TEFC	115	19,20
<b>Three Phase</b>											
1/4	4.9/5.9	280:1	400	<b>GM25280</b>	701	DS	21	2516M-G	TEFC	190/380//230/460	19,20
	7.4/8.9	190:1	385	<b>GM25190</b>	701	DS	21	2516M-G	TEFC	190/380//230/460	19,20
	11.6/14	120:1	300	<b>GM25120</b>	701	DS	21	2516M-G	TEFC	190/380//230/460	19,20
	17.5/21	80:1	310	<b>GM25080</b>	701	DS	21	2516M-G	TEFC	190/380//230/460	19,20
	23/28	60:1	250	<b>GM25060</b>	701	DS	21	2516M-G	TEFC	190/380//230/460	19,20

<sup>(a)</sup> Vertical motor below gearhead not recommended.

Avoiding those positions where the high speed oil seal is immersed in oil, will provide greater security against high speed input seal wear.

<sup>(b)</sup> See notes on inside back flap and pages 5-6.



Gearmotors and Gear Products

Motor Accessories

Grinders

Generators

Servo Motors and Controls

Mod Express

Baldor Education Workshops

Warranties and Sales Policies

Cross Reference and Index

Baldor Sales Offices



GC24307 Shown  
KA Style

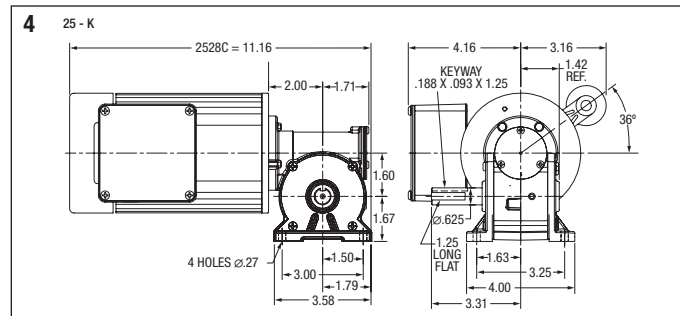
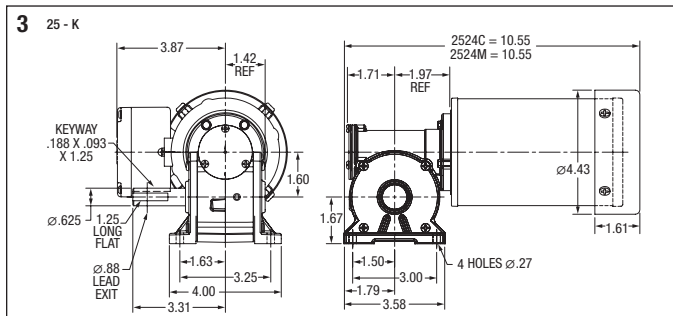
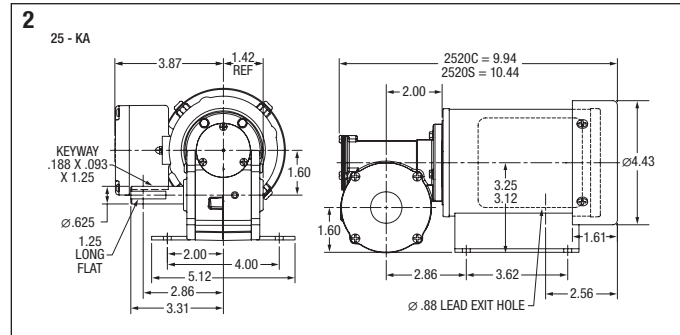
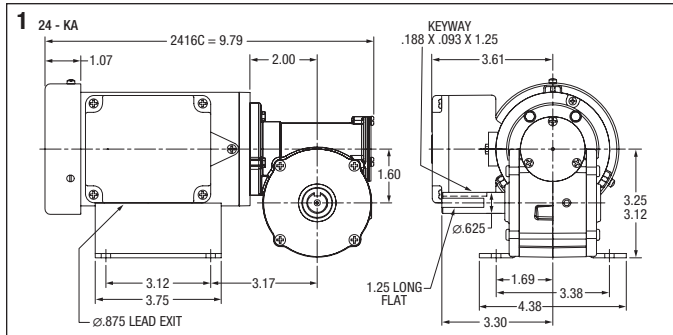
**Applications:** General purpose fixed speed including conveyors, material handling equipment and packaging machinery.

**Features:** Three and single-phase motor designs. High strength bronze gearing, hardened and ground worm for quiet operation. High performance low friction, bidirectional motor seals. Factory lubricated for life, no maintenance required. Internal oil expansion bladder allows for multiple mounting positions, without relocating a breather vent.

Input Motor Hp	Output RPM 50/60 Hz	Gear Ratio	Max. Safe Torque In. Lbs.	Catalog Number <sup>(a)</sup>	List Price	Mult. Sym.	Ap'x. Shpg. Wgt.	Motor Type & Gear Style	Enclosure	Voltage	Notes <sup>(b)</sup>	Drawing Number
<b>Single Phase</b>												
1/15	23/28	60:1	45	<b>GC24307</b>	393	DS	11	2416C-KA	TEFC	110//115	19,20	1
	35/42	40:1	49	<b>GC24308</b>	393	DS	11	2416C-KA	TEFC	110//115	19,20	1
	68/82.5	20:1	32	<b>GC24309</b>	393	DS	11	2416C-KA	TEFC	110//115	19,20	1
	135/165	10:1	18	<b>GC24311</b>	393	DS	11	2416C-KA	TEFC	110//115	19,20	1
1/8	34/41	40:1	90	<b>GC25004</b>	464	DS	16	2520C-KA	TEFC	110//115	19,20	2
	46/55	30:1	78	<b>GC25006</b>	464	DS	16	2520C-KA	TEFC	110//115	19,20	2
	69/82	20:1	57	<b>GC25007</b>	464	DS	16	2520C-KA	TEFC	110//115	19,20	2
	130/160	10:1	33	<b>GC25008</b>	464	DS	16	2520C-KA	TEFC	110//115	19,20	2
	36/43	40:1	90	<b>GC25009</b>	464	DS	15	2520S-KA	TEFC	110//115	19,20	2
	48/57	30:1	78	<b>GC25011</b>	464	DS	15	2520S-KA	TEFC	110//115	19,20	2
	71/86	20:1	57	<b>GC25012</b>	464	DS	15	2520S-KA	TEFC	110//115	19,20	2
	140/170	10:1	33	<b>GC25014</b>	464	DS	15	2520S-KA	TEFC	110//115	19,20	2
1/6	33/41	40:1	130	<b>GC3320</b>	512	DS	15	2524C-K	TEFC	110//115	19,20	3
	67/82	20:1	75	<b>GC3321</b>	512	DS	15	2524C-K	TEFC	110//115	19,20	3
	135/165	10:1	43	<b>GC3322</b>	512	DS	15	2524C-K	TEFC	110//115	19,20	3
	265/320	5:1	23	<b>GC3324</b>	512	DS	15	2524C-K	TEFC	110//115	19,20	3
	35/42	40:1	130	<b>GC3326</b>	512	DS	21	2528L-K	TEFC	110//115	19,20	4
	71/85	20:1	75	<b>GC3327</b>	512	DS	21	2528L-K	TEFC	110//115	19,20	4
	135/165	10:1	43	<b>GC3328</b>	512	DS	21	2528L-K	TEFC	110//115	19,20	4
	280/335	5:1	23	<b>GC3329</b>	512	DS	21	2528L-K	TEFC	110//115	19,20	4
<b>Three Phase</b>												
1/4	35/42.8	40:1	170	<b>GM3340</b>	619	DS	24	2524M-K	TEFC	190/380//230/460	19,20	3
	70/85	20:1	112	<b>GM3345</b>	619	DS	24	2524M-K	TEFC	190/380//230/460	19,20	3
	140/170	10:1	72	<b>GM3347</b>	619	DS	24	2524M-K	TEFC	190/380//230/460	19,20	3
	279/340	5:1	36	<b>GM3349</b>	619	DS	24	2524M-K	TEFC	190/380//230/460	19,20	3

(a) Vertical motor below gearhead not recommended. Avoiding those positions where the high speed oil seal is immersed in oil, will provide greater security against high speed input seal wear.

(b) See notes on inside back flap and pages 5-6.





GC24322 Shown  
CB Style

**Applications:** General purpose fixed speed including conveyors, material handling equipment and packaging machinery.

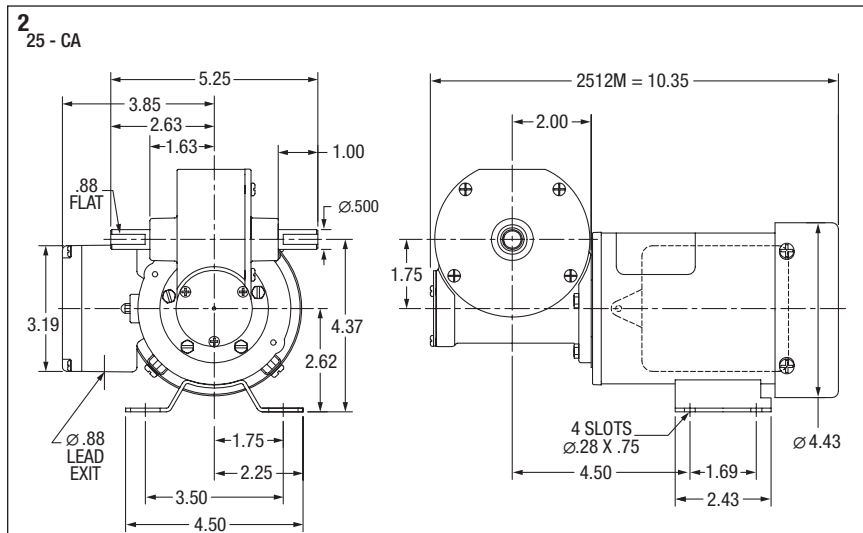
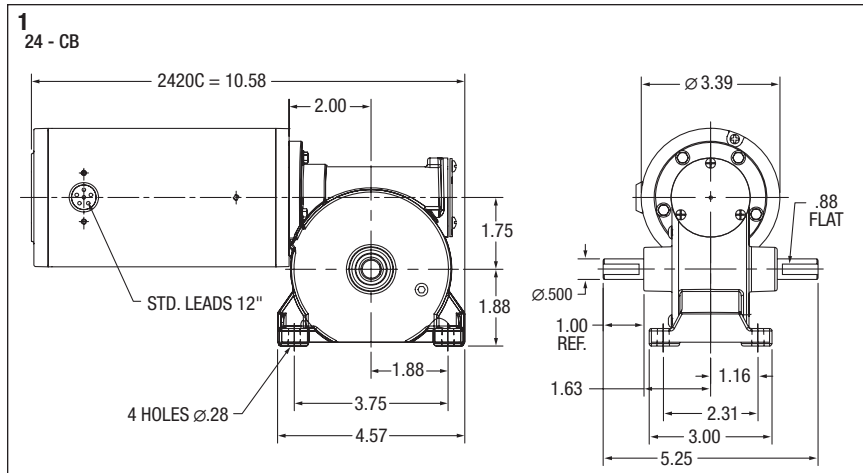
**Features:** Three and single-phase designs. High strength bronze gearing, hardened and ground worm for quiet operation. High performance low friction, bidirectional motor seals. Factory lubricated for life, no maintenance required. Internal oil expansion bladder allows for multiple mounting positions, without relocating a breather vent.

Input Motor Hp	Output RPM 50/60 Hz	Gear Ratio	Max. Safe Torque In. Lbs.	Catalog (a) Number	List Price	Mult. Sym.	Ap'x. Shpg. Wgt.	Motor Type & Gear Style	Enclosure	Voltage	Notes (b)	Drawing Number
<b>Single Phase</b>												
1/12	23/27.7	58:1	75	<b>GC24322</b>	394	DS	10	2420C-CB	TENV	110//115	19,20,78	1
	41/49.6	33:1	62	<b>GC24320</b>	394	DS	13	2420C-CB	TENV	110//115	19,20,78	1
	60/71	22.5	49	<b>GC24318</b>	394	DS	13	2420C-CB	TENV	110//115	19,20,78	1
	123/148	11:1	25	<b>GC24316</b>	394	DS	13	2420C-CB	TENV	110//115	19,20,78	1
<b>Three Phase</b>												
1/6	156	22.5:1	42	<b>GM3331</b>	539	DS	24	2512M-CA	TEFC	208-230/460	20,33	2

(a) Vertical motor below gearhead not recommended.

Avoiding those positions where the high speed oil seal is immersed in oil, will provide greater security against high speed input seal wear.

(b) See notes on inside back flap and pages 5-6.





GM2503 Shown  
JH Style

**Applications:** General purpose fixed speed including conveyors, material handling equipment and packaging machinery.

**Features:** Three and single-phase motor designs. High strength bronze gearing, hardened and ground worm for quiet operation. High performance low friction, bidirectional motor seals. Factory lubricated for life, no maintenance required. Internal oil expansion bladder allows for multiple mounting positions, without relocating a breather vent.

Input Motor Hp	Output RPM 50/60 Hz	Gear Ratio	Max. Safe Torque In. Lbs.	Catalog (a) Number	List Price	Mult. Sym.	Ap'x. Shpg. Wgt.	Motor Type & Gear Style	Enclosure	Voltage	Notes (b)	Drawing Number
<b>Single Phase</b>												
1/8	30/37	45:1	125	GC25020	469	DS	16	2524S-JK	TEFC	115	19,20	1
	43/50	33:1	100	GC25015	469	DS	16	2524S-JK	TEFC	115	19,20	1
	62/74	22.5:1	79	GC25010	469	DS	16	2524S-JK	TEFC	115	19,20	1
	126/152	11:1	41	GC25005	469	DS	16	2524S-JK	TEFC	115	19,20	1
1/4	74	22.5:1	125	GC3330	512	DS	26	3324S-JK	TEFC	115	33	2
	151	11:1	70	GC3325	512	DS	26	3324S-JK	TEFC	115	33	2
<b>Three Phase</b>												
1/6	38	45:1	125	GM3337	623	DS	24	2520M-JK	TEFC	208-230/460	20,33	3
	75	22.5:1	85	GM3334	623	DS	24	2520M-JK	TEFC	208-230/460	20,33	3
1/4	104	33:1	75	GM3338	623	DS	24	2520M-JK	TEFC	208-230/460	20,33	3
1/3	34	50:1	256	GM2507	634	DS	28	2528M-JH	TEFC	208-230/460	20,33	4
	42	40:1	230	GM2506	634	DS	28	2528M-JH	TEFC	208-230/460	20,33	4
	84	20:1	155	GM2503	634	DS	28	2528M-JH	TEFC	208-230/460	20,33	4
	168	10:1	90	GM2501	634	DS	28	2528M-JH	TEFC	208-230/460	20,33	4
1/2	35	50:1	295	GM3307	638	DS	35	3320M-JH	TEFC	208-230/460	33	5
	44	40:1	280	GM3306	638	DS	35	3320M-JH	TEFC	208-230/460	33	5
	88	20:1	200	GM3303	638	DS	35	3320M-JH	TEFC	208-230/460	33	5
	175	10:1	135	GM3301	638	DS	35	3320M-JH	TEFC	208-230/460	33	5

(a) Vertical motor below gearhead not recommended. Avoiding those positions where the high speed oil seal is immersed in oil, will provide greater security against high speed input seal wear. (b) See notes on inside back flap and pages 5-6.

