



GP13530 Shown
K Style

Applications: Conveyors, medical and laboratory equipment, printing presses, commercial ovens, machine tools and other applications requiring adjustable speed.

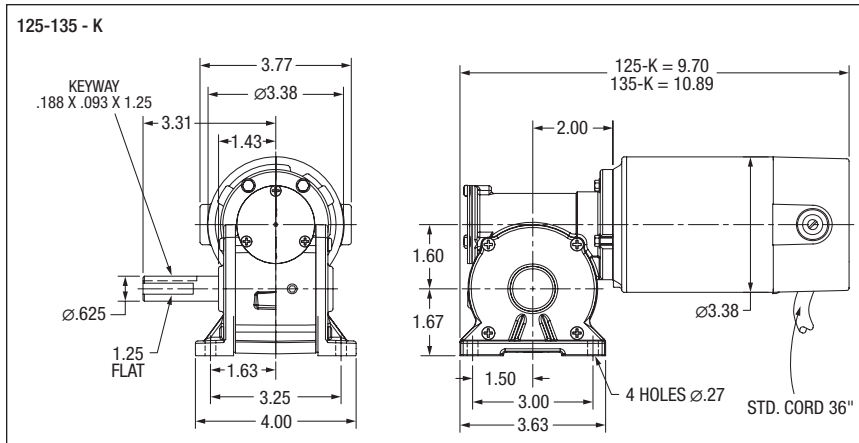
Features: DCPM motor provides exceptional starting torque, adjustable speed, and predictable operating conditions. Ball bearing on output for smooth torque transmission and increased radial load capacity. High strength bronze gearing, hardened and ground worm for quiet operation. High performance low friction, bi-directional motor seals. Permanently lubricated with synthetic Mobil SHC634 oil. Internal oil expansion chamber allows for all position mounting without relocating a breather vent.

Input Motor Hp	Output Base Speed	Gear Ratio	Max. Safe Torque In. Lbs.	Catalog Number ^(a)	List Price	Mult. Sym.	Ap'x. Shpg. Wgt.	Motor Type & Gear Style	Voltage D.C. Armature	Full Load Amperage Armature	Notes ^(b)
Foot Mount											
1/12	43	40:1	73	GP12511	504	DS	10	125-K	90	0.90	20
	86	20:1	39	GP12512	504	DS	10	125-K	90	0.90	20
	173	10:1	22	GP12514	504	DS	10	125-K	90	0.90	20
	346	5:1	10	GP12516	504	DS	10	125-K	90	0.90	20
1/6	43	40:1	135	GP13530	530	DS	10	135-K	90	1.73	20
	57	30:1	111	GP13531	530	DS	10	135-K	90	1.73	20
	88	20:1	88	GP13532	530	DS	10	135-K	90	1.73	20
	173	10:1	48	GP13533	530	DS	10	135-K	90	1.73	20
	346	5:1	24	GP13536	530	DS	10	135-K	90	1.73	20

^(a) Vertical motor below gearhead not recommended.

Avoiding those positions where the high speed oil seal is immersed in oil, will provide greater security against high speed input seal wear.

^(b) See notes on inside back flap and pages 5-6.





GP231004 Shown
CB Style

Applications: Conveyors, medical and laboratory equipment, printing presses, commercial ovens, machine tools and other applications requiring adjustable speed.

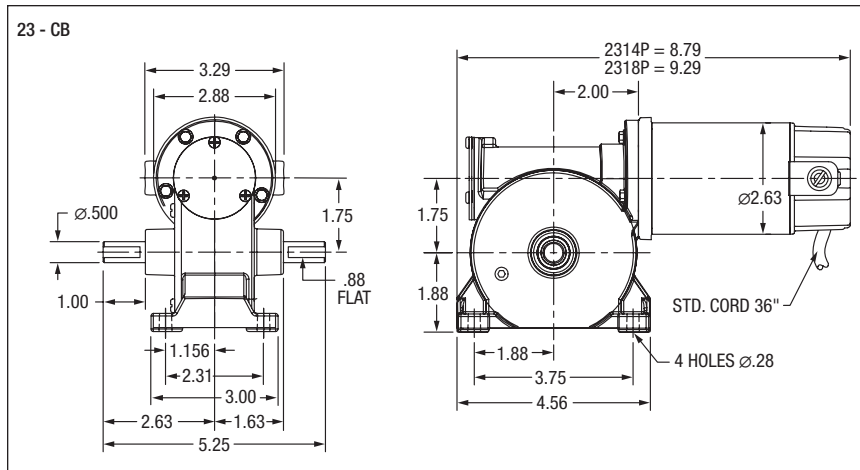
Features: DCPM motor provides exceptional starting torque, adjustable speed, and predictable performance over a wide range of operating conditions. Permaglide sleeve bearing on output for smooth torque transmission. High strength bronze gearing, hardened and ground worm for quiet operation. High performance low friction, bidirectional motor seals. Permanently lubricated with synthetic Mobil SHC634 oil. Internal oil expansion chamber allows for all position mounting without relocating a breather vent.

Input Motor Hp	Output Base Speed	Gear Ratio	Max. Safe Torque In. Lbs.	Catalog (a) Number	List Price	Mult. Sym.	Ap'x. Shpg. Wgt.	Motor Type & Gear Style	Voltage D.C. Armature	Full Load Amperage Armature	Notes (b)
Foot Mount											
1/25	22	72:1	45	GP231004	395	DS	8	2314P-CB	90	0.53	20
	30	58:1	38	GP232003	395	DS	8	2314P-CB	90	0.53	20
1/16	38	45:1	57	GP233006	410	DS	8	2318P-CB	90	0.80	20
	52	33:1	48	GP233005	410	DS	8	2318P-CB	90	0.75	20
	76	22.5:1	33	GP233004	410	DS	8	2318P-CB	90	0.85	20
Foot Mount											
1/16	41	45:1	57	GP233026	410	DS	8	2318P-CB	180	0.42	20
	53	33:1	48	GP233025	410	DS	8	2318P-CB	180	0.40	20
1/14	76	22.5:1	76	GP233024	410	DS	8	2318P-CB	180	0.42	20

(a) Vertical motor below gearhead not recommended.

Avoiding those positions where the high speed oil seal is immersed in oil, will provide greater security against high speed input seal wear.

(b) See notes on inside back flap and pages 5-6.





GP7404 Shown
JK Style

Applications: Conveyors, medical and laboratory equipment, printing presses, commercial ovens, machine tools and other applications requiring adjustable speed.

Features: DCPM motor provides exceptional starting torque, adjustable speed, and predictable operating conditions. Ball bearing on output for smooth torque transmission and increased radial load capacity. High strength bronze gearing, hardened and ground worm for quiet operation. High performance low friction, bidirectional motor seals. Factory lubricated with synthetic oil. Internal oil expansion chamber allows for all position mounting without relocating a breather vent.

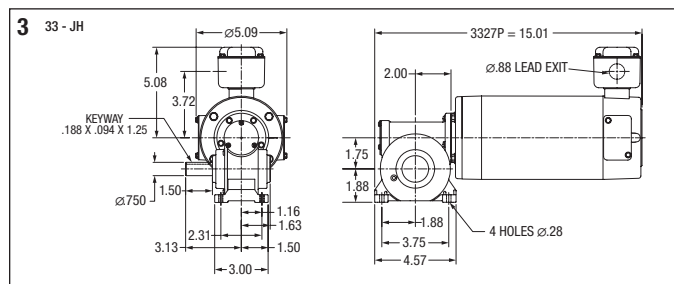
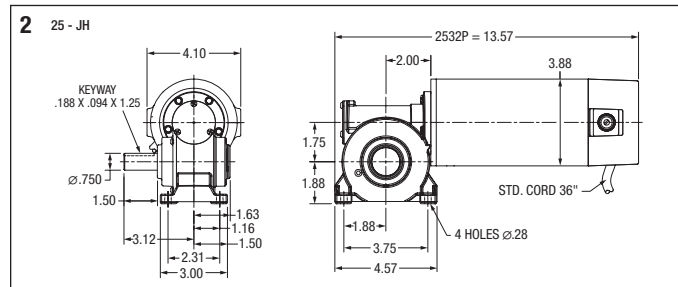
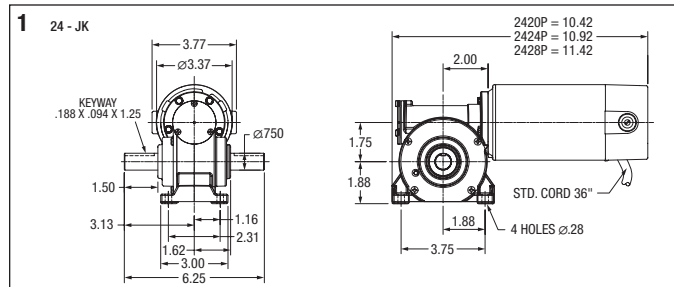
Input Motor Hp	Output Base Speed	Gear Ratio	Max. Safe Torque In. Lbs.	Catalog Number ^(a)	List Price	Mult. Sym.	Ap'x. Shpg. Wgt.	Motor Type & Gear Style	Voltage D.C. Armature	Full Load Amperage Armature	Notes ^(b)	Drawing Number
Foot Mount												
1/8	30	58:1	120	GP7404	562	DS	14	2424P-JK	90	1.30	20	1
	38	45:1	100	GP7403	562	DS	14	2424P-JK	90	1.30	20	1
	52	33:1	75	GP7402	562	DS	14	2424P-JK	90	1.30	20	1
	75	22.5:1	60	GP7401	562	DS	14	2424P-JK	90	1.30	20	1
1/5	173	11:1	32	GP7400	562	DS	14	2424P-JK	90	1.30	20	1
	50	45:1	120	GP7408	562	DS	14	2428P-JK	90	2.20	20	1
1/4	68	33:1	112	GP7405	562	DS	14	2428P-JK	90	2.40	20	1
	76	45:1	100	GP7407	562	DS	14	2428P-JK	90	2.60	20	1
	104	33:1	75	GP7406	562	DS	14	2428P-JK	90	2.60	20	1
	314	8:1	32	GP7413	562	DS	14	2428P-JK	90	2.60	20	1

Input Motor Hp	Output Base Speed	Gear Ratio	Max. Safe Torque In. Lbs.	Catalog Number ^(a)	List Price	Mult. Sym.	Ap'x. Shpg. Wgt.	Motor Type & Gear Style	Voltage D.C. Armature	Full Load Amperage Armature	Notes ^(b)	Drawing Number
Foot Mount												
1/8	30	58:1	120	GP7424	562	DS	14	2420P-JK	180	0.64	20	1
	38	45:1	100	GP7423	562	DS	14	2420P-JK	180	0.64	20	1
	52	33:1	75	GP7422	562	DS	14	2420P-JK	180	0.64	20	1
	78	22.5:1	60	GP7421	562	DS	14	2420P-JK	180	0.64	20	1
1/5	173	11:1	32	GP7420	562	DS	14	2420P-JK	180	0.65	20	1
	50	45:1	120	GP7428	562	DS	14	2428P-JK	180	1.10	20	1
1/4	68	45:1	135	GP7425	562	DS	14	2428P-JK	180	1.30	20	1
	76	45:1	100	GP7427	562	DS	14	2428P-JK	180	1.30	20	1
	104	33:1	75	GP7426	562	DS	14	2428P-JK	180	1.30	20	1
	314	11:1	32	GP7433	562	DS	14	2428P-JK	180	1.30	20	1

Input Motor Hp	Output Base Speed	Gear Ratio	Max. Safe Torque In. Lbs.	Catalog Number ^(a)	List Price	Mult. Sym.	Ap'x. Shpg. Wgt.	Motor Type & Gear Style	Voltage D.C. Armature	Full Load Amperage Armature	Notes ^(b)	Drawing Number
Foot Mount												
1/3	48	50:1	150	GP2507	690	DS	25	2532P-JH	90	3.36	20	2
	62	40:1	137	GP2506	690	DS	25	2532P-JH	90	3.36	20	2
	123	20:1	95	GP2503	690	DS	25	2532P-JH	90	3.36	20	2
	245	10:1	65	GP2501	690	DS	25	2532P-JH	90	3.36	20	2
1/2	50	50:1	234	GP3307	802	DS	35	3327P-JH	90	5.00	20	3
	63	40:1	215	GP3306	802	DS	35	3327P-JH	90	5.00	20	3
	125	20:1	145	GP3303	802	DS	35	3327P-JH	90	5.00	20	3
	250	10:1	100	GP3301	802	DS	35	3327P-JH	90	5.00	20	3

(a) Vertical motor below gearhead not recommended. Avoiding those positions where the high speed oil seal is immersed in oil, will provide greater security against high speed input seal wear.

(b) See notes on pages 8 and 9, and inside back flap.





GPF13517 Shown
JAF Style

Applications: Conveyors, medical and laboratory equipment, printing presses, commercial ovens, machine tools and other applications requiring adjustable speed.

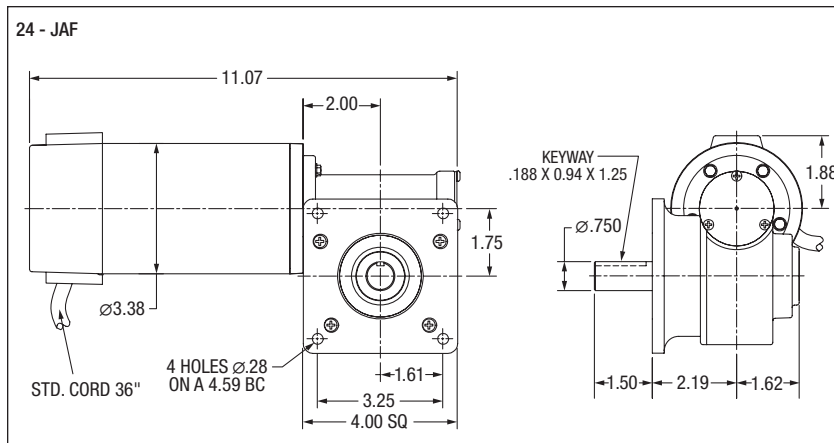
Features: DCPM motor provides exceptional starting torque, adjustable speed, and predictable operating conditions. Ball bearing on output for smooth torque transmission and increased radial load capacity. High strength bronze gearing, hardened and ground worm for quiet operation. High performance low friction, bi-directional motor seals. Factory lubricated with synthetic oil. Internal oil expansion chamber allows for all position mounting without relocating a breather vent.

Input Motor Hp	Output Base Speed	Gear Ratio	Max. Safe Torque In. Lbs.	Catalog (a) Number	List Price	Mult. Sym.	Ap'x. Shpg. Wgt.	Motor Type & Gear Style	Voltage D.C. Armature	Full Load Amperage Armature	Notes (b)
Flange Mount											
1/4	312	8:1	38.0	GPF13514	584	DS	15	135-JAF-0	90	2.5	20
	167	15:1	69.0	GPF13515	584	DS	15	135-JAF-0	90	2.5	20
	111	22.5:1	96.0	GPF13516	584	DS	15	135-JAF-0	90	2.6	20
	76	33:1	110.0	GPF13517	584	DS	15	135-JAF-0	90	2.2	20
Flange Mount											
1/5	167	15:1	55.0	GPF13530	584	DS	15	135-JAF-0	180	1.0	20
	76	33:1	88.0	GPF13532	584	DS	15	135-JAF-0	180	1.0	20

(a) Vertical motor below gearhead not recommended.

Avoiding those positions where the high speed oil seal is immersed in oil, will provide greater security against high speed input seal wear.

(b) See notes on inside back flap and pages 5-6.



Gearmotors and Gear Products

Motor Accessories

Grinders

Generators

Servo Motors and Controls

Mod Express

Baldor Education Workshops

Warranties and Sales Policies

Cross Reference and Index

Baldor Sales Offices