

HEAVY SERIES

Range From 1/4" O.D. to 8 5/8" O.D.

HEAVY SERIES CLAMPS are available in a single heavy (SH) unit two (2) bolt design, or a double heavy (DH) unit four (4) bolt design.

Clamps are designed to absorb shock and vibration and reduce noise from installations, such as: steel mills, power plants, ship building, off highway equipment, off-shore drilling platforms, high pressure hydraulic machinery, etc.

Heavy series clamps will accommodate pipes, tubes and hose ranging in sizes from 1/4" to 8 5/8" O.D.

Clamps for tube and mm sizes, other than those listed, can be furnished on request.

A basic clamp assembly consists of: a weld plate, two (2) identical clamp halves, a cover plate and two (2) hex head bolts.

Weld and cover plates are made from low carbon steel material. **Stainless steel hardware is available for all groups. Metric hardware available upon request.**

Clamp halves are made of Polypropylene (pp) black color or Santoprene (SP) tan color. Please refer to Standard Series for plastic properties. **Aluminum Clamps halves are available from stock.**

Heavy series clamps of the same group may be stacked vertically to a desired number by using stacking bolts (STB) and Safety Plates (SAF).

RAIL MOUNTED CLAMPS (Groups H3 thru H8). See Page 4 of 4 Heavy Series for details. Plastic blanks for special bore diameters available in Groups H3 to H8.

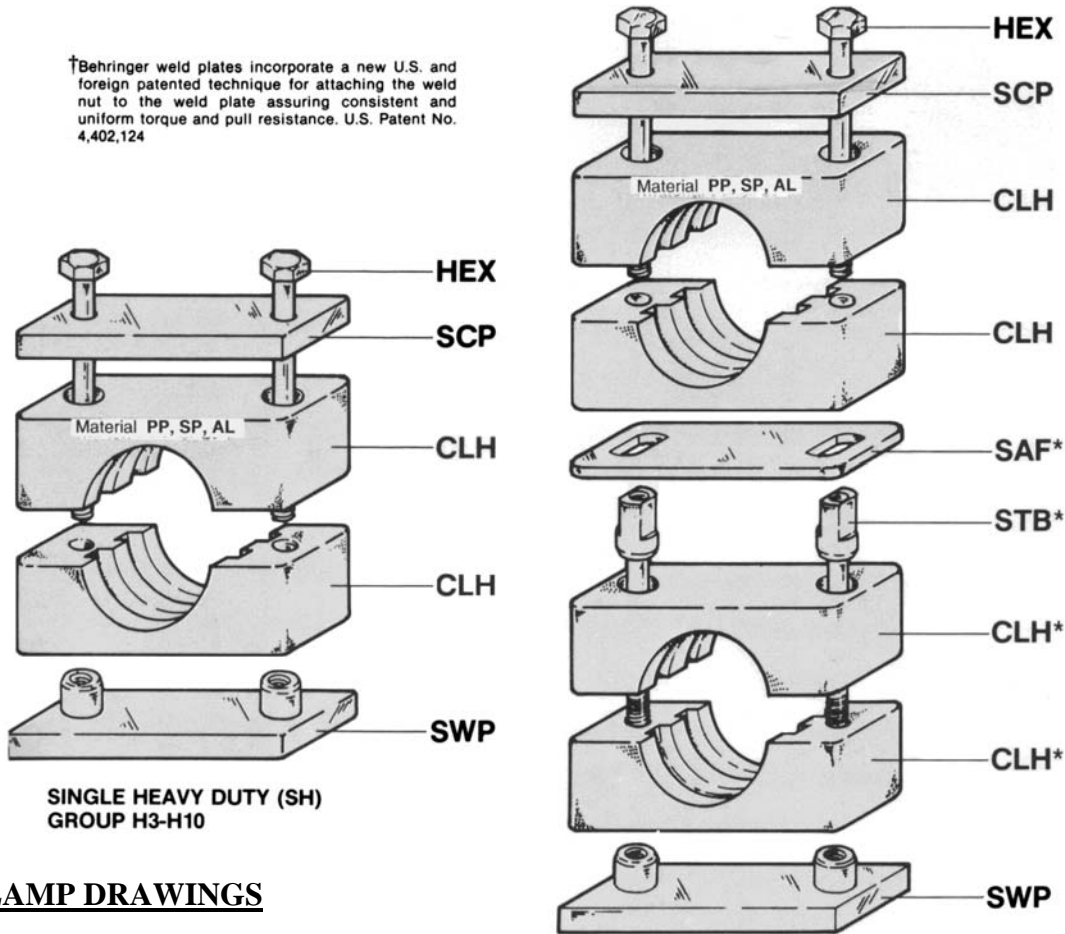


REFER TO CLAMP DRAWING PG 2 OF 4 HEAVY SERIES

Group No.	TUBESIZE		PIPESIZE			W	H	C		B	T	K	L	M	N	O	P	R	S	WGT. LBS. UNIT	U
	OUTSIDE DIA.	ORDER NO.	NOMINAL DIA.	OUTSIDE DIA.	ORDER NO.			DEC.	FRAC.												
	H3	1/4 3/8 1/2 5/8	H3025 H3038 H3050 H3062	P1/8 P1/4 P3/8	405 540 675			H30405 H30540 H30675	214												
H4	3/4 7/8 1	H4075 H4087 H4100	P1/4 P3/4	840 1050	H40840 H41050	234	178	177	149/64	38-16 214Lg	5/16	114	338	212	1250	1/16	12	698	18	91	114
H5	1 1/4 1 1/2	H5125 H5150	P1 P1 1/4	1315 1660	H51315 H51660	3 11/32	238	236	223/64	38-16 234Lg	5/16	114	4	212	1250	1/16	12	698	18	111	11/2
H6	1 3/4 2 2 1/4 2 1/2 2 3/4	H6175 H6200 H6225 H6250 H6275	P1 1/4 P1 1/2 P2	1660 1900 2375	H61660 H61900 H62375	4 1/2	312	353	317/32	7/16-14 4Lg	3/8	134	578	312	1812	188	58	778	316	261	218
H7	2 3/4 3 3 1/2	H7275 H7300 H7350	P2 1/2 P3	2875 3500	H72875 H73500	6	434	481	413/16	5/8-11 514Lg	3/8	214	738	412	2375	18	34	940	316	1188	2 3/4
H8	4 4 1/2 5	H8400 H8450 H8500	P4	4500	H84500	8 1/16	658	662	658	3/4-10 714Lg	1/2	3	10	6	3188	316	1	1188	38	1188	31316
H9	5 5 1/4 6	H9500 H9525 H9600	P5 P6	5563 6625	H95563 H96625	9 3/4	778	806	81/16	7/8-9 812Lg	1/2	312	1134	7	3687	316	11/16	1375	316	1660	4716
H10	8	H10800	P6 P8	6625 8625	H106625 H108625	12 1/2	1058	1043	1078	1 1/8-7 1112Lg	3/4	412	1412	938	4875	316	114	1766	14	3849	6116

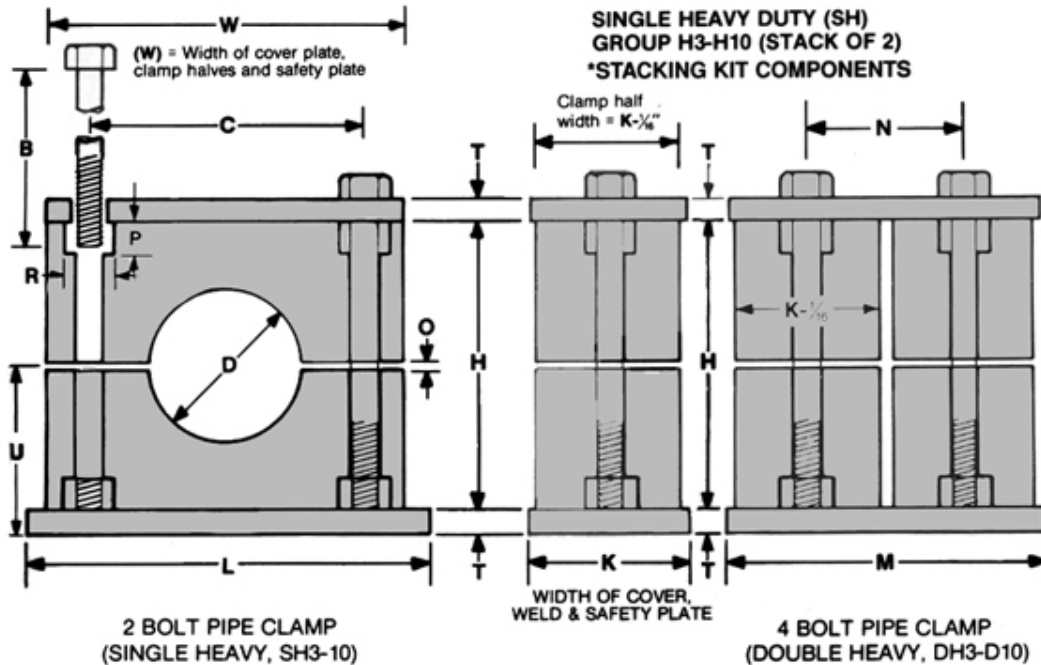
HEAVY SERIES

†Behringer weld plates incorporate a new U.S. and foreign patented technique for attaching the weld nut to the weld plate assuring consistent and uniform torque and pull resistance. U.S. Patent No. 4,402,124

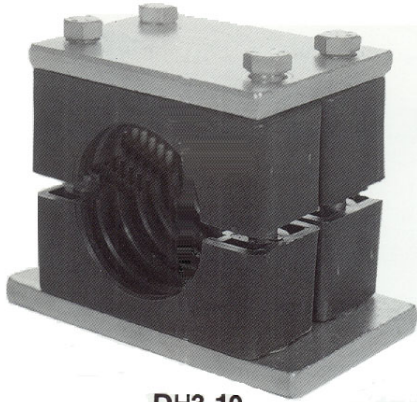


SINGLE HEAVY DUTY (SH)
GROUP H3-H10

CLAMP DRAWINGS



HEAVY SERIES



DH3-10

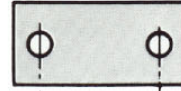


DWP
DOUBLE WELD PLATE

APPROXIMATE DIMENSION IN MILLIMETERS						
GROUP NO.	D	W	H	C	B	L
H3	6 17	57	32	33	44	73
H4	19 27	70	48	45	57	85
H5	32 42	84	60	60	70	100
H6	42 70	114	89	90	102	150
H7	70 89	152	121	122	133	187
H8	102 114	205	171	168	184	254
H9	127 168	249	200	205	216	298
H10	168 219	316	270	265	292	367

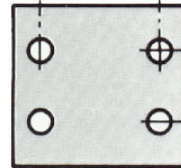
REFER TO CLAMP DRAWING PG 2 OF 4 HEAVY SERIES

SCP
H3-H10



2 BOLT SINGLE
COVER PLATE
GROUP H3-H10

DCP
H3-H10



4 BOLT DOUBLE
COVER PLATE
GROUP H3-H10

HEX
H3-H10



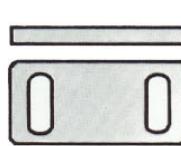
HEX BOLT
GROUP H3-H10

STB
H3-H10



STACKING BOLT
GROUP H3-H10

SAF
H3-H7



SAFETY
PLATES
H3-H7
H8-H10

SAF
H8-H10



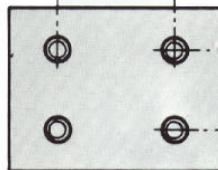
FOR STACKING ONLY

SWP
H3-H10



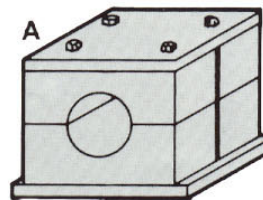
2 BOLT SINGLE
WELD PLATE
GROUP H3-H10

DWP
H3-H10

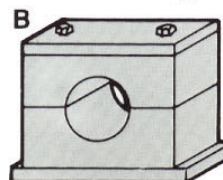
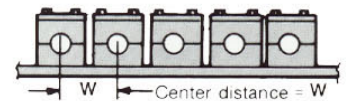


4 BOLT DOUBLE
WELD PLATE
GROUP H3-H10

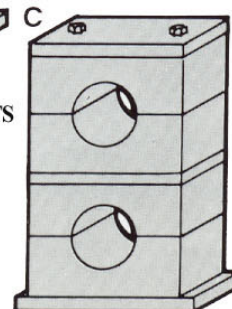
RAIL MOUNTED CLAMPS SH3-SH7



GROUP DH3-10
DOUBLE HEAVY (4) BOLTS



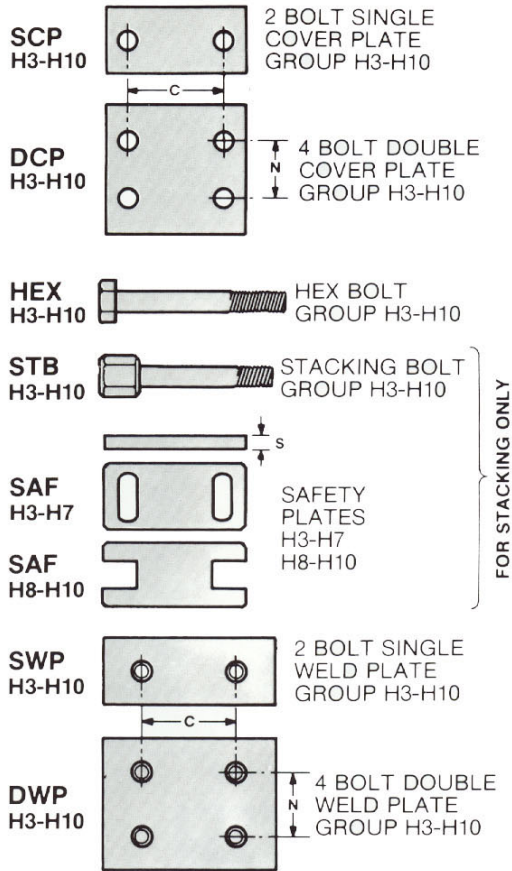
GROUP SH3-10
STACK OF TWO



GROUP SH3-10
STACK OF TWO

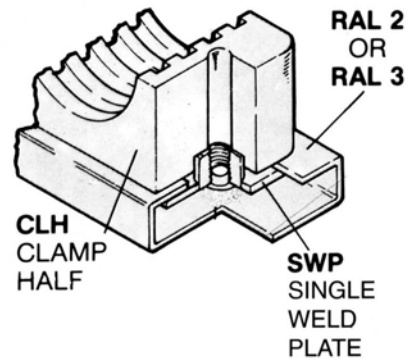
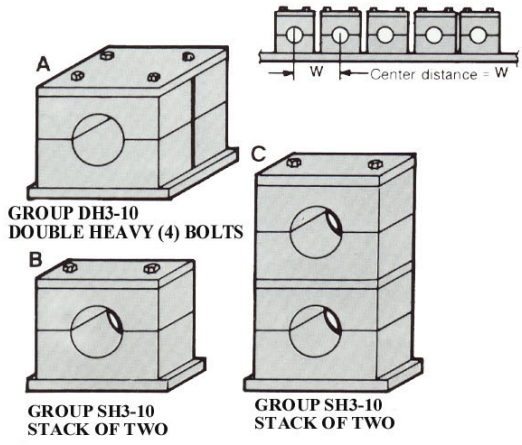
HEAVY SERIES

PARTS FOR HEAVY SERIES

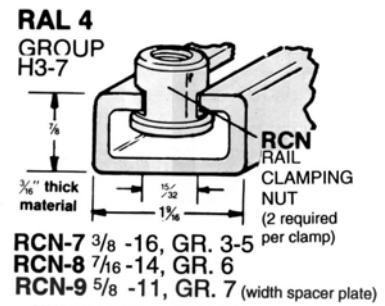
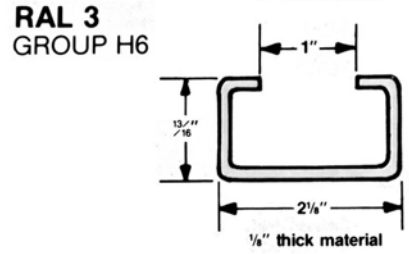
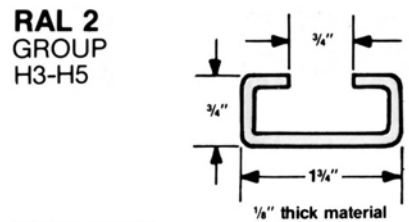


FOR STACKING ONLY

RAIL MOUNTED CLAMPS SH3-SH7



Standard length: 6 ft.
Special lengths made to order



STANDARD LENGTH: 6.56' (2 meters)
Special lengths made to order

NEW Heavy Series Strut Mounts also available

ORDERING EXAMPLES

- A** For 2 1/2" Pipe
Material Santoprene
DH72875-SP
- B** For 1 1/2" Tube
Material PP
SH5150-PP
- C** For 3/4" Tube & 1/2" Tube
Material PP
H3038-PP
H3062-PP-SAF-STB
- C** For 1" Tube
Material PP
SH4100-PP
H4100-PP-SAF-STB

NEW RCN-7 3/8-6, GR. 3-5
RCN-8 7/16-14, GR. 6
NEW RCN-9 5/8-11, GR. 7 (WIDTH SPACER PLATE)
STANDARD LENGTH: 6.56' (2 meters)
Special lengths made to order.

NEW Heavy Series Strut Mounts also available