



GP232002 Shown
BA Style

Applications: Conveyors, medical and laboratory equipment, printing presses, commercial ovens, machine tools and other applications requiring adjustable speed.

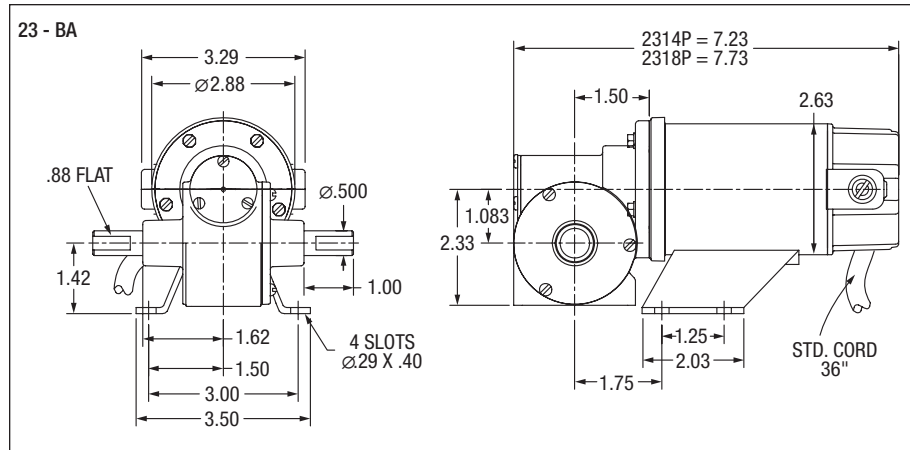
Features: DCPM motor provides exceptional starting torque, adjustable speed, and predictable performance over a wide range of operating conditions. Permaglidle sleeve bearing on output for smooth torque transmission. High strength bronze gearing, hardened and ground worm for quiet operation. High performance low friction, bidirectional motor seals. Permanently lubricated with synthetic Mobil SHC634 oil. Internal oil expansion chamber allows for all position mounting without relocating a breather vent.

Input Motor Hp	Output Base Speed	Gear Ratio	Max. Safe Torque In. Lbs.	Catalog Number ^(a)	List Price	Mult. Sym.	Ap'x. Shpg. Wgt.	Motor Type & Gear Style	Voltage D.C. Armature	Full Load Amperage Armature	Notes ^(b)
Foot Mount											
1/22	40	40:1	30	GP232002	395	DS	7	2314P-BA	90	0.60	20
1/16	60	30:1	33	GP233003	410	DS	8	2318P-BA	90	0.72	20
	90	20:1	27	GP233002	410	DS	7	2318P-BA	90	0.75	20
	120	15:1	22	GP233007	410	DS	7	2318P-BA	90	0.78	20
	173	10:1	17	GP233001	410	DS	7	2318P-BA	90	0.85	20
Foot Mount											
1/16	60	30:1	33	GP233023	410	DS	7	2318P-BA	180	0.42	20
1/14	86	20:1	28	GP233022	410	DS	7	2318P-BA	180	0.42	20
1/16	175	10:1	17	GP233021	410	DS	7	2318P-BA	180	0.42	20

^(a) Vertical motor below gearhead not recommended.

Avoiding those positions where the high speed oil seal is immersed in oil, will provide greater security against high speed input seal wear.

^(b) See notes on inside back flap and pages 5-6.





GP232004 Shown
DA Style

Applications: Conveyors, medical and laboratory equipment, printing presses, commercial ovens, machine tools and other applications requiring adjustable speed.

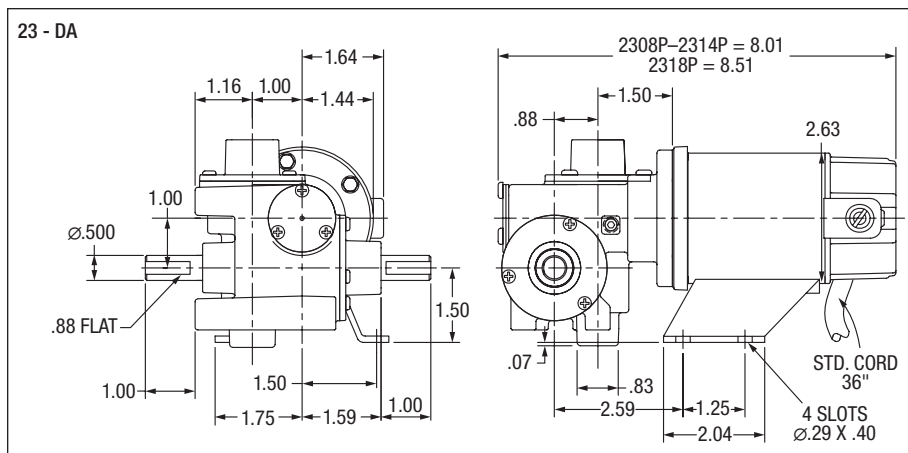
Features: DCPM motor provides exceptional starting torque, adjustable speed and predictable operating conditions. High strength bronze gearing for increased torque capacity. High performance low friction, bidirectional motor seals. Permanently lubricated with synthetic grease lubrication, can be mounted in all positions including vertical motor below gearhead.

Input Motor Hp	Output Base Speed	Gear Ratio	Max. Safe Torque In. Lbs.	Catalog Number ^(a)	List Price	Mult. Sym.	Ap'x. Shpg. Wgt.	Motor Type & Gear Style	Voltage D.C. Armature	Full Load Amperage Armature	Notes ^(b)
Foot Mount											
1/66	1.7	1100:1	75	GP232004	443	DS	7	2308P-DA	90	0.18	20
1/49	3.7	660:1	75	GP232005	443	DS	7	2308P-DA	90	0.34	20
1/27	8.7	310:1	66	GP232006	443	DS	7	2314P-DA	90	0.44	20
1/15	19.6	130:1	64	GP232007	462	DS	7	2314P-DA	90	0.68	20
Foot Mount											
1/83	1.9	1100:1	75	GP233020	462	DS	7	2314P-DA	180	0.11	20
1/31	4.1	660:1	75	GP233029	462	DS	7	2314P-DA	180	0.20	20
1/22	8.5	310:1	66	GP233028	462	DS	7	2314P-DA	180	0.26	20
1/20	19.7	130:1	64	GP233027	482	DS	7	2314P-DA	180	0.31	20

^(a) Vertical motor below gearhead not recommended.

Avoiding those positions where the high speed oil seal is immersed in oil, will provide greater security against high speed input seal wear.

^(b) See notes on inside back flap and pages 5-6.





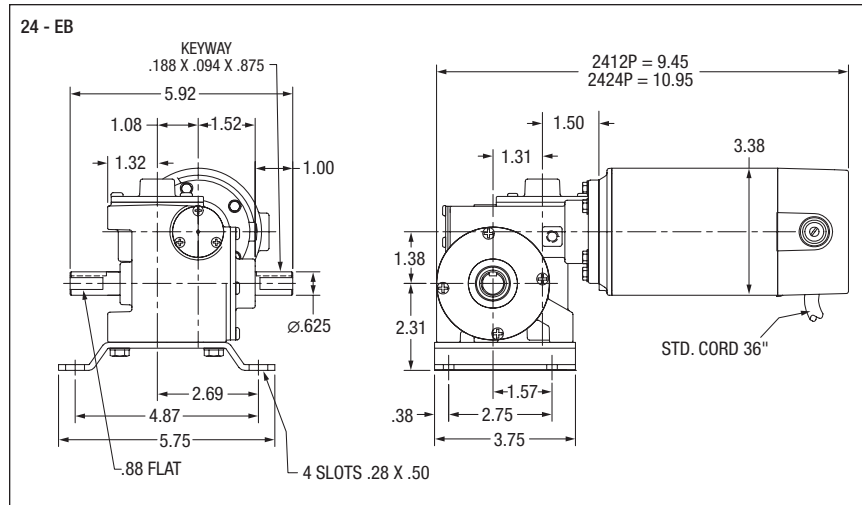
Applications: Conveyors, medical and laboratory equipment, printing presses, commercial ovens, machine tools and other applications requiring adjustable speed.

Features: DCPM motor provides exceptional starting torque, adjustable speed, and predictable operating conditions. High strength bronze gearing for increased torque capacity. High performance low friction, bidirectional motor seals. Permanently lubricated with synthetic grease lubrication, can be mounted in all positions including vertical motor below gearhead.

GP7409 Shown
EB Style

Input Motor Hp	Output Base Speed	Gear Ratio	Max. Safe Torque In. Lbs.	Catalog Number	List Price	Mult. Sym.	Ap'x. Shpg. Wgt.	Motor Type & Gear Style	Voltage D.C. Armature	Full Load Amperage Armature	Notes ^(b)
Foot Mount											
1/8	6	600:1	150	GP7304	605	DS	13	2412P-EB	90	1.00	20
1/4	20	180:1	175	GP7409	619	DS	15	2424P-EB	90	2.00	20
Foot Mount											
1/4	20	180:1	175	GP7429	639	DS	15	2424P-EB	180	1.00	20

^(b) See notes on inside back flap and pages 5-6.





GP24280 Shown
G Style

Applications: Conveyors, medical and laboratory equipment, printing presses, commercial ovens, machine tools and other applications requiring adjustable speed.

Features: Bronze and hardened steel worm gear first stage, hardened steel helical output stage for improved overall efficiency and dependable torque transmission. Completely sealed from the environment and pre-lubricated with synthetic oil, it can be put into immediate service and does not require periodic oil changes. G gear style can be face mounted on the output shaft side, or from the bottom of the gear housing.

Input Motor Hp	Output Base Speed	Gear Ratio	Max. Safe Torque In. Lbs.	Catalog Number ^(a)	List Price	Mult. Sym.	Ap'x. Shpg. Wgt.	Motor Type & Gear Style	Voltage D.C. Armature	Full Load Amperage Armature	Notes ^(b)
Foot Mount											
1/4	6.2	280:1	400	GP24280	706	DS	21	2424P-G	90	1.80	20
	9.1	190:1	385	GP24190	706	DS	21	2424P-G	90	1.80	20
	14	120:1	280	GP24120	706	DS	21	2424P-G	90	1.80	20
	29	60:1	163	GP24060	706	DS	21	2424P-G	90	1.80	20

^(a) Vertical motor below gearhead not recommended.

Avoiding those positions where the high speed oil seal is immersed in oil, will provide greater security against high speed input seal wear.

^(b) See notes on inside back flap and pages 5-6.

