

Ideal for Complicated Internal Structures

Toftejorg TJ 20G Retractable System

Application

The Toftejorg TJ 20G Retractable System features a retractable version of the Toftejorg TJ 20G rotary jet head and provides 360° indexed impact cleaning over a defined time period. Suitable for processing, storage and transportation tanks and vessels between 15 and 150 m³ (4,000 to 40,000 US gallons), the system is designed for use in tanks where internal structures complicate the correct positioning of a Toftejorg TJ 20G on a fixed downpipe. The retractable system can replace the portable installation of Toftejorg TJ 20G.

Working Principle

The pressure of the cleaning media causes the Toftejorg TJ 20G Retractable System to extend. When the pressure is shut off, the media is drained through the system nozzles, and the device returns to its initial position. The system is equipped with magnetic positioning sensors that indicate whether the system is retracted or extended. A special tool is required to disassemble and reassemble the Toftejorg TJ 20G and the circlips.



Standard Design

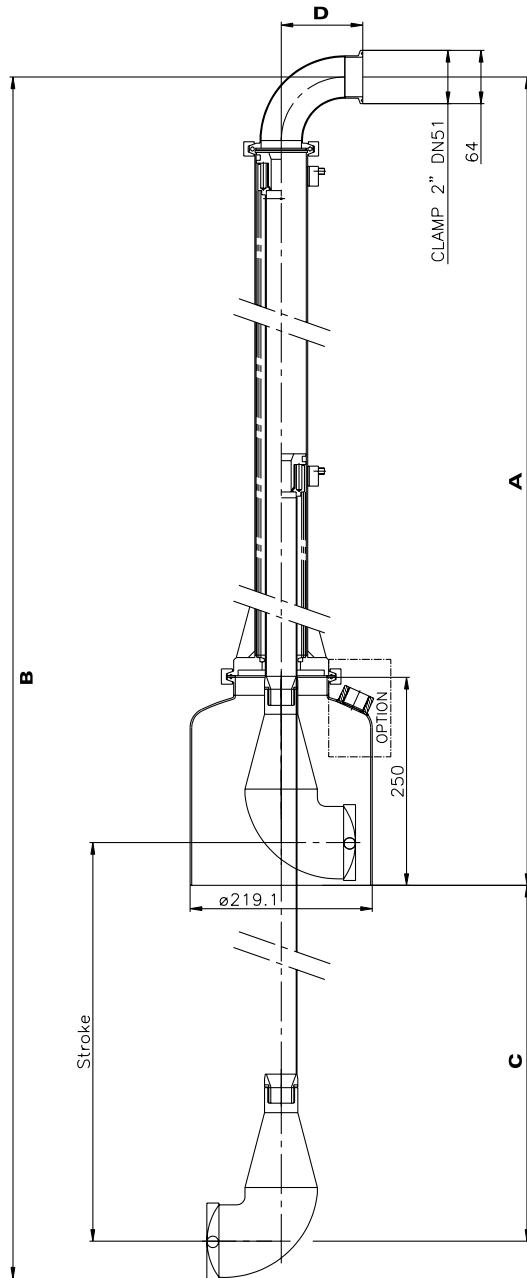
The Toftejorg TJ 20G Retractable System is available in three stroke lengths: 600 mm, 1,000 mm and 1,500 mm. It is supplied with a standard size house welding connection for mounting on the tank.

Materials

1.4404 (316L), PTFE, VITON

Technical Data

Weight:	Total weight (including Toftejorg TJ 20G)
	Stroke length 600 mm, 17.1 kg (38 lbs)
	Stroke length 1,000 mm, 19.1 kg (42 lbs)
	Stroke length 1,500 mm, 21.1 kg (46 lbs)
Working pressure:	4 - 7 bar (58 - 100 psi)
Recommended pressure:	5 bar (73 psi)
Max. working temperature:	95 °C (203 °F)
Max. ambient temperature:	140 °C (284 °F)
Connections Tank:	Standard: Welding connection ø219.1 mm
	Option 1: Flange union, PN16, DN200
	Option 2: Clamp union DN219, ISO 2852
Connections Inlet:	Standard: Clamp union, DN51, ISO 2852
	Option 1: SMS union, DN51
	Option 2: DIN union, DN50, DIN 11851
	Option 2: Welding end 2": ø51 x 1.25 mm



Dimensions (mm)

Stroke	A	B	C
600	1,270	1,871	554
1,000	1,841	2,842	954
1,500	2,553	4,054	1,454

	D
Standard	98,0
Option 1	99,5
Option 2	105,0
Option 3	76,5

STANDARD	OPTION 1	OPTION 2	OPTION 3
CLAMP UNION DN51 ISO 2852	SMS UNION DN51	DIN UNION DN 50 DIN 11851	TO BE WELDED 2" ø51x1,25

INLET CONNECTION OPTIONS

STANDARD	OPTION 1	OPTION 2
TO BE WELDED ø219.1x2	FLANGE UNION PN16 DN200	CLAMP UNION DN219 ISO 2852

TANK CONNECTION OPTIONS

Ordering

Please specify the stroke length, inlet and tank connection options required. For technical specifications of the Toftejorg TJ 20G, a data sheet is available upon request.

Options

- Variety of tank and inlet connections
- Electronic rotation sensor to verify 360° coverage