

Models: 721, 722

CONTROL CHEK® Valves Sizes: 2" - 14" (50 - 350mm)

Pressure/Temperature–Non-Shock		
Model	Size	Rating
721	2" – 12"	CWP 200psi @ 150°F 14 bar @ 66°C 165psi @ 300°F
	14"	150psi @ 150°F 10 bar @ 66°C 110psi @ 300°F
722	2" – 12"	640psi @ 100°F 44 bar @ 38°C 565psi @ 300°F
	14"	500psi @ 100°F 34 bar @ 38°C 400psi @ 300°F

*Max. temp. can be limited by gasket and seat material. Consult factory.

721
722

Class 125
Class 300



Models 721, 722

Typical Service

The CONTROL CHEK® valve is designed for installation in pump discharge piping where it performs triple duty. It acts as a spring loaded silent check valve, a shutoff valve, and a balancing valve. Used in conjunction with the Mueller Steam Specialty Suction Diffuser, it constitutes a compact and effective complete pump protection and isolation package.

Operation

- Disc is spring loaded to close the valve prior to flow reversal, protecting the pump and guarding against water hammer.
- Disc opens at .25psi
- Disc opens a 1/3" for each inch of line size, allowing greater flow than similar products
- Disc is fully guided with external threaded stem.
- Threaded stem allows flow adjustment from bubble tight shutoff to full flow.
- Position indicator ensures accurate and repeatable balancing through disc positioning in throttling service.
- Stem and yoke are external unwetted parts so are not subject to corrosion or erosion by line fluids. This is a design feature unique to the Mueller Steam Specialty CONTROL CHEK®.
- Field servicing is easy and requires no special tools.
- NPT drain plug at location "C" is standard. See next page.
- Gauge taps are available at both inlet and outlet ends.

Pressure Drop

- Consult factory

Materials

	721	722
Body and Yoke	Cast Iron ASTM A126-B	Ductile Iron ASTM A536
Disc	Aluminum Bronze ASTM B148, C952	Aluminum Bronze ASTM B148, C952
Stem	316 SS	316 SS
Seat Guide	Bronze ASTM B584, C844	Bronze ASTM B584, C844
Gland Flange	Cast Iron ASTM A126-B	Cast Iron ASTM A126-B
Packing	Compressed Fiber	Compressed Fiber
Spring	302 Stainless Steel	302 Stainless Steel
Stem Guide	Ductile Iron ASTM A536	Ductile Iron ASTM A536
O-Rings	EPDM	EPDM

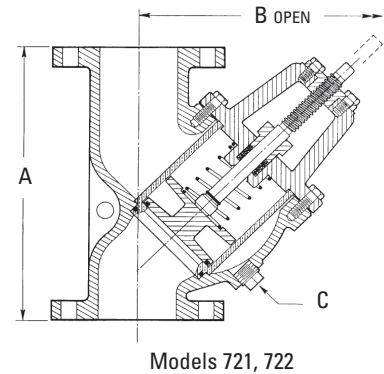
Other materials available on request.

*722G grooved end CONTROL CHEK® available. See the LOCKEND® section of the Mueller Steam Specialty Engineering binder.

Dimensions and Weights

SIZE		DIMENSIONS						WEIGHT	
		A		B		C (NPT)			
in.	mm	in.	mm	in.	mm	in.	mm	lbs.	kgs.
721									
2	50	8 $\frac{3}{8}$	213	9 $\frac{5}{8}$	244	$\frac{1}{2}$	15	34	15
2 $\frac{1}{2}$ "	60	8 $\frac{7}{8}$	225	9 $\frac{5}{8}$	244	$\frac{1}{2}$	15	40	18
3	80	10	254	10 $\frac{1}{8}$	257	$\frac{1}{2}$	15	50	27
4	100	14 $\frac{1}{2}$	368	12 $\frac{5}{8}$	321	$\frac{1}{2}$	15	100	45.4
5	125	16	406	12 $\frac{5}{8}$	321	$\frac{1}{2}$	15	155	70
6	150	18	457	17 $\frac{1}{2}$	445	$\frac{3}{4}$	20	200	90
8	200	21 $\frac{1}{2}$	546	18	457	$\frac{3}{4}$	20	350	159
10	250	25 $\frac{1}{2}$	648	21 $\frac{3}{4}$	552	1	25	480	218
12	300	30	762	24 $\frac{1}{2}$	616	1	25	660	300
14	350	30 $\frac{3}{8}$	772	24 $\frac{1}{2}$	622	1	25	790	359
722									
2	50	9 $\frac{3}{8}$	238	9 $\frac{5}{8}$	244	$\frac{1}{2}$	15	39	17
2 $\frac{1}{2}$ "	60	10 $\frac{1}{4}$	260	9 $\frac{5}{8}$	244	$\frac{1}{2}$	15	47	21
3	80	11 $\frac{1}{4}$	286	10 $\frac{1}{8}$	257	$\frac{1}{2}$	15	64	29
4	100	15 $\frac{5}{8}$	397	12 $\frac{5}{8}$	321	$\frac{1}{2}$	15	120	54.5
5	125	16 $\frac{5}{8}$	422	12 $\frac{5}{8}$	321	$\frac{1}{2}$	15	173	78
6	150	19 $\frac{5}{8}$	499	17 $\frac{1}{2}$	445	$\frac{3}{4}$	20	230	104
8	200	23 $\frac{5}{8}$	651	18	457	$\frac{3}{4}$	20	410	186
10	250	28	711	21 $\frac{3}{4}$	552	1	25	550	250
12	300	31 $\frac{5}{8}$	803	24 $\frac{1}{2}$	616	1	25	730	331
14	350	—	—	24 $\frac{1}{2}$	622	1	25	—	—

Apply For Certified Drawings.



Mueller Steam Specialty product specifications in U.S. customary units and metric are approximate and are provided for reference only. For precise measurements, please contact Mueller Steam Specialty Technical Service. Mueller Steam Specialty reserves the right to change or modify product design, construction, specifications, or materials without prior notice and without incurring any obligation to make such changes and modifications on Mueller Steam Specialty products previously or subsequently sold.



A Division of Watts Water Technologies, Inc.

USA: 1491 NC Hwy 20 West St. Pauls, NC 28384; www.muellersteam.com

Tel: 910-865-8241 Fax: 910-865-6220

Toll Free Phone 1-800-334-6259 Toll Free Fax: 1-800-421-6772