

# Models: 792SB, 794SB

## Ball-Plex™ Bronze Screwed End Duplex Strainers Sizes: 3/4" - 3" (20 - 80mm)

Pressure / Temperature - Non-Shock		
Model	Material	Rating
792SB	Bronze	200psi @ -20°F to 150°F 13.79 bar @ 65.56°C 180psi @ 250°F 12.41 bar @ 121.11°C
794SB	Bronze	400psi @ -20°F to 150°F 27.58 bar @ 65.56°C 395psi @ 250°F 25.17 bar @ 121.11°C

Max. temp. can be limited by gasket and seat material. Consult factory.

**792SB**

**Class 125**

**794SB**

**Class 250**



Models 792SB, 794SB

Strainers provide economical protection for costly pumps, meters, valves, and other similar mechanical equipment by straining foreign matter from the connected piping system. Installation of a strainer before mechanical equipment can ensure trouble free service and avoid costly shutdowns for repair or replacement of equipment damaged by foreign matter. The size of the perforation or mesh in the basket screen will determine the smallest particles captured. See Strainer information section of the Mueller Steam Specialty Engineering binder for detailed information including sizes and materials available.

### Typical Service

- Duplex Strainers are designed for use in fluid handling systems where the flow cannot be shut down for basket cleaning.
- Typical services include cooling water, compressors, condensers, fire lines, fuel lines, lubrication systems, salt and fresh water systems, chemical process systems, pump suction service, and more.
- Consider strainer body and screen material as well as gasket and seat materials for suitability for particular service.

### Features

- Ball-Plex™ Duplex Strainers use 3-way balls as the diverter valves
- Balls are 316SS for corrosion resistance, strength, and resistance to build-up of solids on the balls' surfaces.
- PTFE seats provide bubble-tight sealing, superior to metal seats in other designs. This eliminates potentially dangerous leakage into the chamber being cleaned.
- Two part body casting allows true and easy in-line service
- After removal of the cover and basket, all working parts are easily accessible even with the unit in line.
- The handle covers the pressurized chamber. This prevents accidental opening of the pressurized chamber, and allows easy access to the chamber to be cleaned.

### Baskets

- Large open area ratios ensure minimum pressure drop across the unit.
- See Technical Data Section of the Mueller Steam Specialty Engineering binder for Pressure Drop Charts.

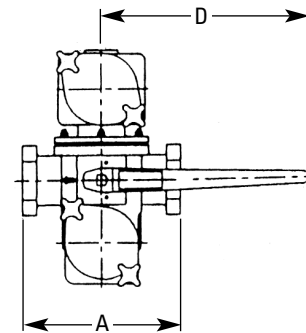
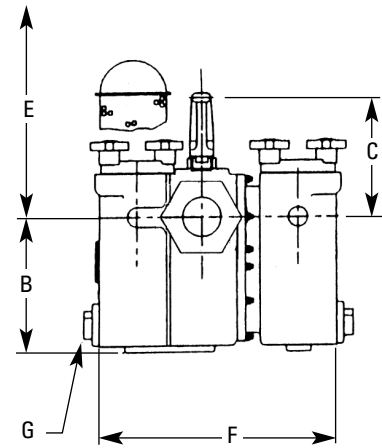
MODEL	SIZES	STANDARD (WATER)	
		MATERIAL	OPENING
792SB, 794SB	3/4" - 3"	304SS	.062 perf

### Material

	792FB, 794FB
Body	Bronze ASTM B62 (85-5-5-5)
Cover	Bronze ASTM B62 (85-5-5-5)
Seats	PTFE
O-Rings	Buna-N

## Dimensions and Weights

SIZE		DIMENSIONS								WEIGHT							
		A		B		C		D		E Screen Removal	F	G (NPT)					
in.	mm	in.	mm	in.	mm	in.	mm	in.	mm	in.	mm	in.	mm	lbs.	kgs.		
¾	20	5½	140	4 <sup>15</sup> / <sub>16</sub>	125	4 <sup>5</sup> / <sub>8</sub>	118	10	254	7¾	197	10 <sup>9</sup> / <sub>16</sub>	259	¾	20	33	14.9
1	25	5½	140	4 <sup>15</sup> / <sub>16</sub>	125	4 <sup>5</sup> / <sub>8</sub>	118	10	254	7¾	197	10 <sup>9</sup> / <sub>16</sub>	259	¾	20	33	14.9
1¼	32	7½	191	6¾	171	4 <sup>3</sup> / <sub>8</sub>	111.1	10	254	10 <sup>3</sup> / <sub>8</sub>	264	12¾	324	1¼	32	58	26
1½	40	7½	191	6¾	171	4 <sup>3</sup> / <sub>8</sub>	111.1	10	254	10 <sup>3</sup> / <sub>8</sub>	264	12¾	324	1¼	32	57	25.8
2	50	10	254	8 <sup>3</sup> / <sub>16</sub>	208	7 <sup>1</sup> / <sub>8</sub>	181	20	508	12 <sup>5</sup> / <sub>8</sub>	321	16 <sup>3</sup> / <sub>8</sub>	416	1¼	32	113	51.2
2½	65	11½	292	12	309	8 <sup>1</sup> / <sub>16</sub>	205	20	508	17 <sup>11</sup> / <sub>16</sub>	449	20 <sup>3</sup> / <sub>8</sub>	518	1½	40	235	106.5
3	80	11½	292	12	309	8 <sup>1</sup> / <sub>16</sub>	205	20	508	17 <sup>11</sup> / <sub>16</sub>	449	20 <sup>3</sup> / <sub>8</sub>	518	1½	40	235	106.5



Models 792SB, 794SB

Mueller Steam Specialty product specifications in U.S. customary units and metric are approximate and are provided for reference only. For precise measurements, please contact Mueller Steam Specialty Technical Service. Mueller Steam Specialty reserves the right to change or modify product design, construction, specifications, or materials without prior notice and without incurring any obligation to make such changes and modifications on Mueller Steam Specialty products previously or subsequently sold.



A Division of Watts Water Technologies, Inc.

USA: 1491 NC Hwy 20 West St. Pauls, NC 28384; [www.muellersteam.com](http://www.muellersteam.com)

Tel: 910-865-8241 Fax: 910-865-6220

Toll Free Phone 1-800-334-6259 Toll Free Fax: 1-800-421-6772