

# Models: 185FAB-B, 186FAB-B

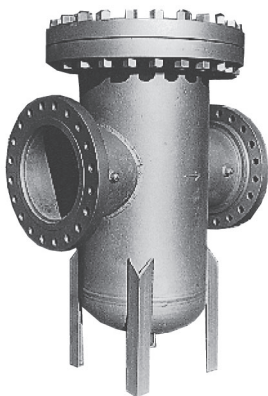
## Fabricated Flanged End Basket Strainers Sizes: 2" - 24" (50 - 600mm)

### Working Pressure - Non-Shock

Models	Rating
185FAB-B	285psi @ 100°F
186FAB-B	150psi @ 565°F

**185FAB-B**                      **Class 150**  
**186FAB-B**                      **Class 300**

Units available for higher pressure and temperature classes. Max. Temp. can be limited by gasket material. Consult factory.



Models 185FAB-B, 186FAB-B

### Typical Service

- Mueller Steam Specialty fabricated strainers are designed to remove foreign particles from pipelines.
- These provide effective and economical protection of pumps, valves, and similar more costly equipment.

### Construction

- Standard Class 150 and Class 300 units available
- Butt-weld or Slip-on Flange connections
- ANSI Class 600 available  
Butt-weld, Weld-neck flange, Ring Joint connections available
- ASME code stamp available

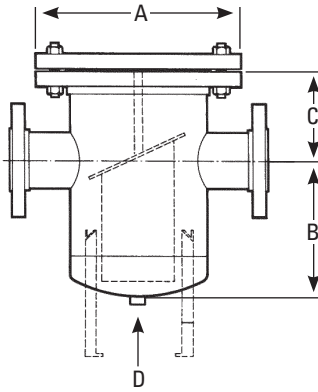
### Baskets

- Standard material is 304SS.
- Specify other alloy material if required.
- Specify perforation and mesh size for proper particle retention.
- Consider maximum allowable pressure drop when specifying.

### General

- See Screen and Basket Options for a partial listing of available options and specification guidelines. "B" signifies a bolted cover; "Q" signifies a quick opening cover.
- Consult factory for specific application information.
- See Specifying Fabricated Strainers page in the Mueller Steam Specialty Engineering binder for guidelines.

# Dimensions and Weights



Models 185FAB-B, 186FAB-B

SIZE		DIMENSIONS										WEIGHT					
		A				B		C				D (NPT)		CLASS 150		CLASS 300	
in.	mm	in.	mm	in.	mm	in.	mm	in.	mm	in.	mm	in.	mm	lbs.	kg.	lbs.	kg.
2	50	18	457	18	457	6	152	4	102	4	102	1½	40	100	45	110	50
3	80	20	508	20	508	8	203	6	152	6	152	1½	40	120	54	190	86
4	100	26	660	26	660	10	254	8	203	8	203	1½	40	200	91	300	136
6	150	28	711	28	711	15	381	10	254	10	254	1½	40	325	147	550	249
8	200	30	762	30	762	20	508	14	356	14	356	1½	40	525	238	825	374
10	250	32	813	32	813	22	559	16	406	16	406	1½	40	690	313	1300	590
12	300	34	864	34	864	26	660	16	406	16	406	2	50	1000	454	1750	794
14	350	40	1016	40	1016	28	711	18	457	18	457	2	50	1200	544	2000	907
16	400	44	1118	44	1118	30	762	20	508	20	508	2	50	1650	748	–	–
18	450	44	1118	44	1118	36	914	22	559	22	559	2	50	1750	793	–	–
20	500	44	1118	44	1118	40	1016	24	610	24	610	2	50	1850	839	–	–
24	600	50	1270	50	1270	49	1245	29	737	29	737	2	50	3125	1417	–	–

Apply for certified drawings. Larger sizes available. Consult factory.

Mueller Steam Specialty product specifications in U.S. customary units and metric are approximate and are provided for reference only. For precise measurements, please contact Mueller Steam Specialty Technical Service. Mueller Steam Specialty reserves the right to change or modify product design, construction, specifications, or materials without prior notice and without incurring any obligation to make such changes and modifications on Mueller Steam Specialty products previously or subsequently sold.



A Division of Watts Water Technologies, Inc.

USA: 1491 NC Hwy 20 West St. Pauls, NC 28384; [www.muellersteam.com](http://www.muellersteam.com)

Tel: 910-865-8241 Fax: 910-865-6220

Toll Free Phone 1-800-334-6259 Toll Free Fax: 1-800-421-6772