

**Model: 722G****LOCXEND® CONTROL CHEK® Valves**  
**Sizes: 2"–12" (50 – 600mm)**

Pressure / Temperature – Non-Shock		
Model	Sizes	CWP
722G	2"-12"	640psi @ 100°F 565psi @ 300°F

Max. temp can be limited by gasket material. Consult factory.



Model 722G

**Typical Service**

The LOCXEND® CONTROL CHEK® valve is designed for installation in pump discharge grooved end piping systems where it performs triple duty. It acts as a spring loaded silent check valve, a shutoff valve, and a balancing valve. Used in conjunction with the Mueller Steam Specialty Suction Diffuser, it constitutes a compact and effective complete pump protection and isolation package.

**Operation**

- Disc is spring loaded to close the valve prior to flow reversal, protecting the pump and guarding against water hammer.
- Disc opens at .25psi
- Disc opens 1/8" for each inch of line size, allowing greater flow than similar products
- Disc is fully guided with external threaded stem.
- Threaded stem allows flow adjustment from bubble tight shutoff to full flow.

**Features**

- Position indicator ensures accurate and repeatable balancing through disc positioning in throttling service.
- Stem and yoke are external unwetted parts so are not subject to corrosion or erosion by line fluids. This is a design feature unique to the Mueller Steam Specialty CONTROL CHEK®.
- Field servicing is easy and requires no special tools.
- NPT drain plug at location "C" is standard. (See next page.)
- Gauge taps are available at both inlet and outlet ends.

**Materials**

	722G
Body and Yoke	Ductile Iron ASTM A395 (60-40-18) or A536
Disc	Aluminum Bronze ASTM B142, C950
Stem	316 S.S.
Seat-Guide	Bronze ASTM B584 (81-3-7-9)
Disc-Guide*	Cast Iron ASTM A126-B
Seat*	Bronze
Flanged Gland	Cast Iron ASTM A126-B
Packing	Compressed Fiber
Spring	302 Stainless Steel
Stem Guide	Ductile Iron ASTM A395 or A536
O-Rings	EPDM

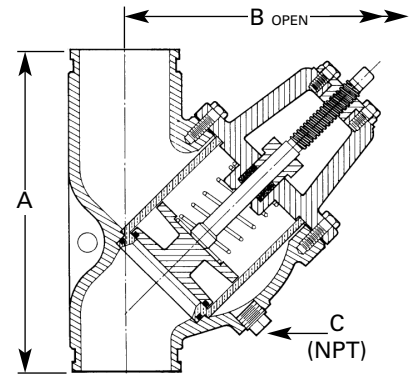
\*Separate disc-guide and seat used on 6" and larger.  
Flanged Models 721 and 722 are available for Class 125 and Class 300 service.

Consult factory for pressure drop information.

## Dimensions and Weights

SIZE		DIMENSIONS						WEIGHT	
		A		B		C (NPT)			
in.	mm	in.	mm	in.	mm	in.	mm	lbs.	kg.
2	50	9 $\frac{3}{8}$	238	9 $\frac{3}{8}$	244	$\frac{1}{2}$	15	23	10
2 $\frac{1}{2}$	60	10 $\frac{1}{4}$	260	9 $\frac{3}{8}$	244	$\frac{1}{2}$	15	24	11
3	80	11 $\frac{1}{4}$	285	10 $\frac{1}{8}$	257	$\frac{1}{2}$	15	33	15
4	100	15 $\frac{5}{8}$	397	12 $\frac{5}{8}$	321	$\frac{1}{2}$	15	84	38
6	150	19 $\frac{3}{8}$	492	17 $\frac{1}{2}$	445	$\frac{3}{4}$	20	156	70
8	200	23 $\frac{3}{8}$	600	18	457	$\frac{3}{4}$	20	300	136
10	250	28	711	21 $\frac{3}{4}$	552	1	25	392	178
12	300	31 $\frac{1}{8}$	803	25	635	1	25	496	225

Apply for Certified Drawings.



Model 722G

Mueller Steam Specialty product specifications in U.S. customary units and metric are approximate and are provided for reference only. For precise measurements, please contact Mueller Steam Specialty Technical Service. Mueller Steam Specialty reserves the right to change or modify product design, construction, specifications, or materials without prior notice and without incurring any obligation to make such changes and modifications on Mueller Steam Specialty products previously or subsequently sold.



A Division of Watts Water Technologies, Inc.

USA: 1491 NC Hwy 20 West St. Pauls, NC 28384; [www.muellersteam.com](http://www.muellersteam.com)

Tel: 910-865-8241 Fax: 910-865-6220

Toll Free Phone 1-800-334-6259 Toll Free Fax: 1-800-421-6772