



73S Series Selector Valves

Hoke's 73S Series Selector Valves are designed to allow either switching or selection of the fluid stream in process analyzer, instrumentation or gas chromatography applications. A user-convenient 5-way configuration is offered in 316 Stainless Steel as standard. The Hoke 73S Series Valve stands alone in offering a wide range of features including wide temperature range, low dead volume, and a sliding seal concept that not only makes these valves perfect for analytical applications but significantly extends product life as well.



Typical Applications

- Process analyzers
- Gas chromatography
- Instrumentation

Technical Data

MAXIMUM OPERATING PRESSURE	Moderate vacuum to 500 psig (345 bar)
OPERATING TEMPERATURE RANGE	-40° F to 350° F (-40° to 175° C)
PRESSURE AT TEMPERATURE	500 psig @ 70° F, 200 PSIG @ 350° F
ORIFICE SIZES	0.051", 0.093"
Cv FACTORS	0.071 maximum depending on end connection
END CONNECTIONS	1/16" and 1/8" Gyrolok® female NPT

Features & Benefits

- **Low Dead Volume** Increased accuracy in analysis and measurements is the result of maximizing well swept flow volume
- **Wide Temperature Range** Broader applications capability than other brands available
- **Sliding Seal Principle** Excellent performance over a long cycle life
- **O-ring Seals** Reliable, economic sealing while providing the ability to match O-ring materials to the fluid
- **Detent** Confidence of knowing plug is properly aligned because handle clicks into place with side ports
- **On-Off Operation** A zero flow position is located between adjacent side ports
- **Bidirectional Flow** Flexibility is provided by the availability of valve to be used with either a common inlet or outlet
- **Standard Panel Mounting** Convenient for equipment installation

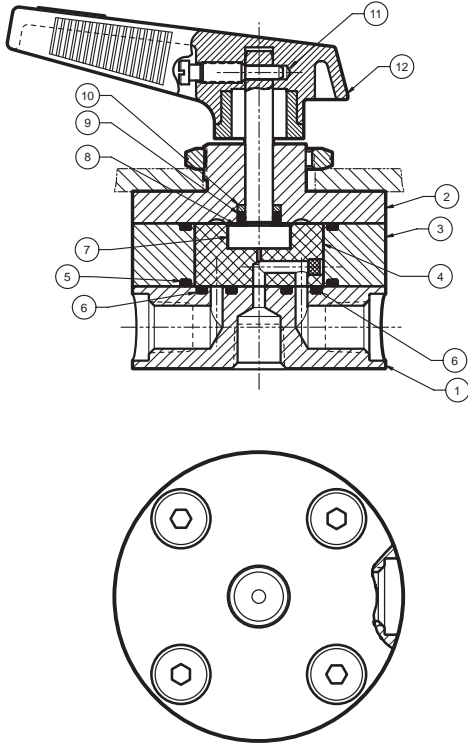
HOKE Incorporated

405 Centura Court • PO Box 4866 • Spartanburg, SC 29303
Phone (864) 574-7966 Fax (864) 587-5608
www.hoke.com • sales@hoke.com

selector valves

73S Series Selector Valves

Materials of Construction



Wetted Parts

	DESCRIPTION	MATERIAL
1	Bottom plate	316 stainless steel
2	Middle plate	316 SST
3	Top plate	316 SST
4	Plug	Arlon® 1330
5	O-ring	Fluoro-elastomer
6	O-ring	Fluoro-elastomer
7	Stem	316 stainless steel
8	Shim	TFE
9	O-ring	Fluoro-elastomer

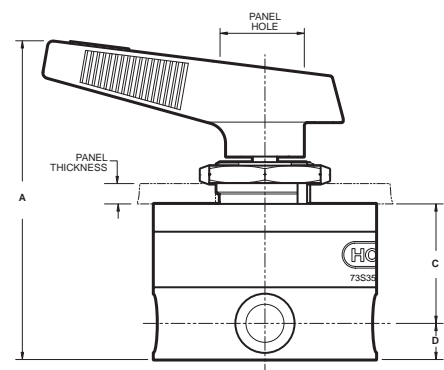
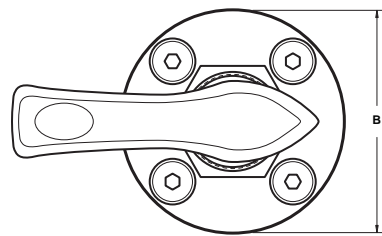
Non-wetted Parts

	DESCRIPTION	MATERIAL
10	Back-up ring	TFE
11	Pin, handle	316 SST
12	Handle	Nylon

Dimensions

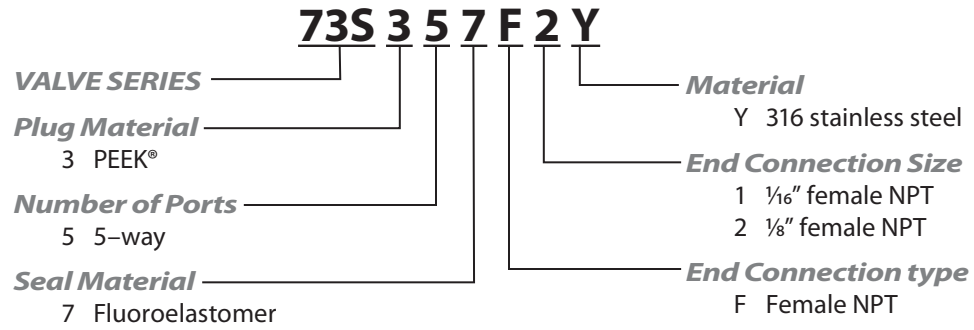
PART NUMBER	ORIFICE	A	B	C	D	PANEL HOLE DIA.	PANEL THICKNESS (MAX)
73S357F2Y	0.093	2.925	2.00	1.08	0.33	0.890	0.187
73S357F1Y	0.093	2.925	2.00	1.08	0.33	0.890	0.187

Note: all dimensions are for reference only



73S Series Selector Valves

How to Order

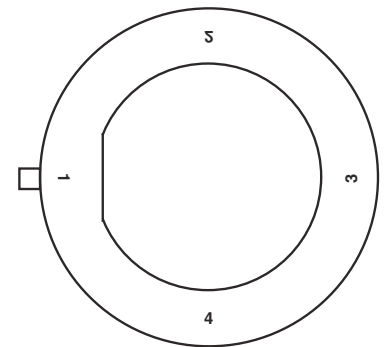


Selector Valve Options

Handle An optional black oval handle is available. Order part number 95683-032. This flat trip-proof handle minimizes the risk of accidental operation while providing visual indication of side port in use.



Indicator Plates Position indicator plates for identification of flow status information when valve is panel mounted are available. Part number 73S35K1





405 Centura Court
PO Box 4866 (29305)
Spartanburg, SC 29303
Tel (864) 574-7966
Fax (864) 587-5608
www.circorinstrumentation.com

Circle Seal Controls, Inc.

2301 Wardlow Circle
Corona, CA 92880
Tel (951) 270-6200
Fax (951) 270-6201
www.circlesealcontrols.com

GO Regulator

405 Centura Court
PO Box 4866 (29305)
Spartanburg, SC 29303
Tel (864) 574-7966
Fax (864) 587-5608
www.goreg.com

HOKE, Inc.

405 Centura Court
PO Box 4866
Spartanburg, SC 29303
Tel (864) 574-7966
Fax (864) 587-5608
www.hoke.com

CIRCOR Instrumentation, Ltd.

Frays Mill Works
Cowley Road,
Uxbridge, UB8 2AF
UK
Tel +44 (0) 1895 206780
Fax +44 (0) 1895 206781
www.circor.co.uk

HOKE Controls

2054 Francis St.
Ontario, CA 91761
Tel (909) 923-3770
Fax (909) 923-2550

Panels Plus

2054 Francis St.
Ontario, CA 91761
Tel (909) 923-3770
Fax (909) 923-2550
www.circor-panelsplus.com

CIRCOR Tech

405 Centura Court
PO Box 4866 (29305)
Spartanburg, SC 29303
Tel (864) 574-7966
Fax (864) 587-5608
www.circortech.com

HOKE GmbH

Weitzesweg 11
Postfach 15 41
D-61118 Bad Vilbel–Dortelweil
Germany
Tel +49-6101-82 56 0
Fax +49-6101-82 56 40
www.hoke.de

TOMCO

405 Centura Court
PO Box 4866 (29305)
Spartanburg, SC 29303
Tel (864) 574-7966
Fax (864) 587-5608
www.tomcoquickcouplers.com

CIRCOR Instrumentation Technologies

Central Europe

Leeuwenhoekweg 24
2661 CZ Bergschenhoek
The Netherlands
Tel +31-10-4206011
Fax +31-10-4566774
www.circorinstrumentation.com

LIMITED WARRANTY

ALL CIRCLE SEAL CONTROLS, INC., GO REGULATOR, AND HOKE INC. PRODUCTS ARE MADE TO EXACTING STANDARDS OF DESIGN, MATERIAL, WORKMANSHIP AND QUALITY CONTROL AND ARE WARRANTED TO BE FREE OF DEFECTS IN MATERIAL AND WORKMANSHIP AND REASONABLY FIT FOR THE USES SET FORTH IN SELLER'S CATALOG OR THE CONTRACT SPECIFICATIONS FOR A PERIOD OF ONE YEAR AFTER SALE IF PROPERLY INSTALLED AND MAINTAINED AND UNDER THE NORMAL USE AND SERVICE FOR WHICH THE EQUIPMENT IS INTENDED. BUYER TO INSPECT THE GOODS WITHIN TEN DAYS OF DELIVERY AND TO THEN IMMEDIATELY NOTIFY SELLER OF ANY DEFECTS IN ORDER TO CLAIM A DEFECT. THIS WARRANTY IS IN LIEU OF ALL OTHER WARRANTIES WHETHER THEY ARE STATUTORY, EXPRESS OR IMPLIED, INCLUDING AMONG OTHER THINGS ANY IMPLIED WARRANTY OF MERCHANTABILITY FITNESS FOR A PARTICULAR PURCHASE NOT SET FORTH IN SELLER'S CATALOG, AND ALSO DOES NOT APPLY TO ANY PRODUCTS OF SELLER WHICH HAVE BEEN REPAIRED, ALTERED OR MODIFIED OR HAVE BEEN SUBJECT TO MISUSE OR ABUSE. SELLER IS NOT LIABLE FOR ANY CONSEQUENTIAL, INCIDENTAL OR SPECIAL DAMAGES RESULTING DIRECTLY OR INDIRECTLY FROM THE DESIGN, MATERIAL, WORKMANSHIP, OPERATION OR INSTALLATION OF ANY OF ITS PRODUCTS AND NEITHER ASSUMES NOR AUTHORIZES ANY OTHER PERSON TO ASSUME FOR IT ANY OTHER LIABILITY IN CONNECTION THEREWITH. BUYER'S EXCLUSIVE REMEDY SHALL BE THE REPAIR OR REPLACEMENT OF ANY SUCH DEFECTIVE PRODUCT AFTER VERIFICATION BY SELLER. THIS WARRANTY IS IN EFFECT UNLESS SUPERSEDED BY LIMITED WARRANTY, FORM NO. 2299 (4/83)