

## Fig. 1F — Felt Lined Standard Clevis Hanger

## Fig. 1PVC — PVC Coated Standard Clevis Hanger



**Size Range** — Size 1/2" thru 8" pipe.

**Material** — Carbon Steel

**Insulation Material** — 3/16" felt

**Function** — The Fig. 1F is designed for the suspension of copper tube so as to prevent electrolysis between tube and hanger. The Fig. 1PVC is designed for steel or other pipe types of same O.D. Both Fig. 1F and Fig. 1PVC act to reduce noise and vibration in pipe or tube system.

**Approvals** — Underwriters' Laboratories Listed in the USA (UL) and Canada (cUL).

**Maximum Temperature** — 650°F

**Finish** — Plain

**Note** —When Fig. 1F is used for steel or other pipe types, consult factory for proper size hanger. Available in Electro-Galvanized and HDG finish or Stainless Steel.

**Order By** — Figure number, nominal tube size and finish

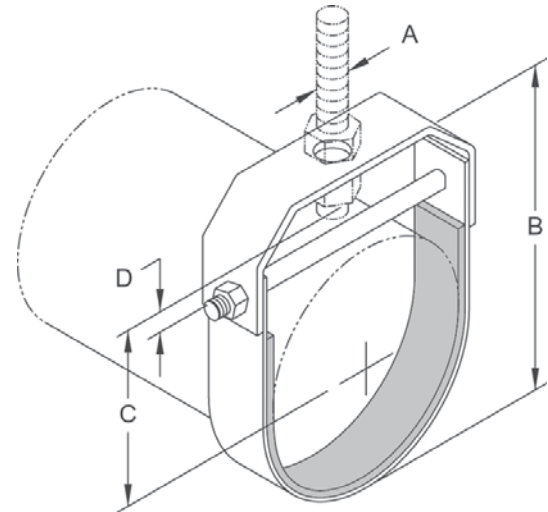


Fig. 1F

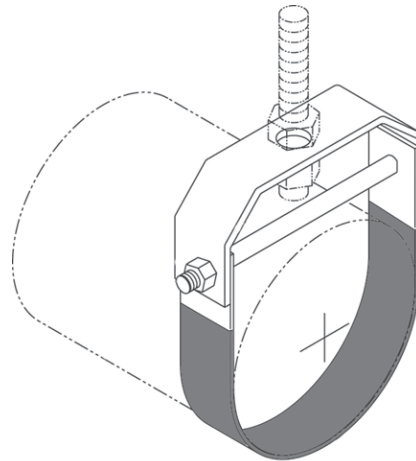


Fig. 1PVC

### Dimensions • Weights

Pipe Size	Rod Size A		B	C	D	Max. Rec. Load Lbs.	Approx. Wt./100
	STD	NFPA					
1/2	3/8	3/8	27/8	1	1	610	36
3/4	3/8	3/8	31/16	111/16	1	610	38
1	3/8	3/8	33/8	17/8	1	610	43
1 1/4	3/8	3/8	33/4	21/16	1	610	47
1 1/2	3/8	3/8	41/16	23/16	1	610	50
2	3/8	3/8	4 1/2	29/16	1	610	56
2 1/2	1/2	3/8	5 1/2	31/16	1	1130	125
3	1/2	3/8	6 1/8	35/16	1 1/4	1130	141
3 1/2	1/2	3/8	6 3/4	39/16	1 1/4	1130	153
4	5/8	3/8	7 5/8	41/16	1 1/2	1430	191
5	5/8	1/2	8 7/8	51/16	1 1/2	1430	236
6	3/4	1/2	10	55/16	1 1/2	1940	318
8	3/4	1/2	12 3/4	615/16	2	2000	429