

# Class 150 Bronze Check Valves

Horizontal Swing • Regrinding Type • Y-Pattern •  
Renewable Seat and Disc

**150 PSI/10.3 Bar Saturated Steam to 366° F/185° C**  
**300 PSI/20.7 Bar Non-Shock Cold Working Pressure**

CONFORMS TO MSS SP-80

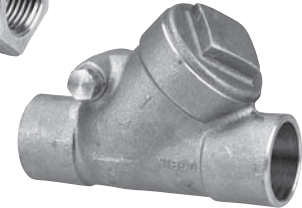
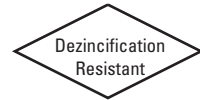
## MATERIAL LIST

| PART                  | SPECIFICATION   |
|-----------------------|---|
| 1. Bonnet             | Bronze ASTM B 62  |
| 2. Body               | Bronze ASTM B 62  |
| 3. Hinge Pin          | Bronze ASTM B 140 Alloy C31400 or<br>B 134 Alloy C23000     |
| 4. Disc Hanger        | Bronze ASTM B 62 or<br>304 Stainless Steel ¼" thru ¾" sizes |
| 5. Hanger Nut         | Bronze ASTM B 16  |
| 6. Disc Holder        | Bronze ASTM B 62  |
| 7. Seat Disc          | Steam (TFE) (Y)<br>Bronze ASTM B 62 (B)                     |
| 8. Seat Disc Nut      | Bronze ASTM B 16 or B 62                                    |
| 9. Hinge Pin Plug     | Bronze ASTM B 140 Alloy C31600 (not shown)                  |
| *10. Seat Disc Washer | ASTM B 98 Alloy C65500 or ASTM B 103                        |

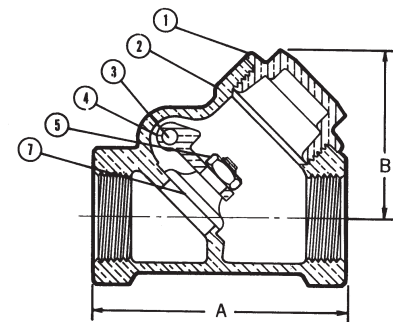
\* Sizes ¾", 1", 1¼", 1½" and 2" only.



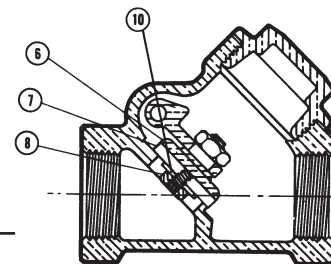
**T-433**  
Threaded



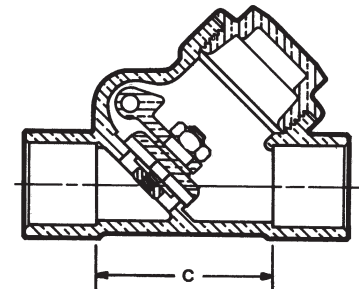
**S-433**  
Solder



**T-433-B**  
NPT x NPT



**T-433-Y**  
NPT x NPT



**S-433-Y**  
C x C

## DIMENSIONS—WEIGHTS—QUANTITIES

| Size |     | Dimensions |     |      |     |      |     |      |     |       |      | T-433 |      | S-433 |     | Master Ctn. Qty. |
|------|-----|------------|-----|------|-----|------|-----|------|-----|-------|------|-------|------|-------|-----|------------------|
| In.  | mm. | A          | B   | C    | D   |      |     |      |     |       |      | Lbs.  | Kg.  | Lbs.  | Kg. |                  |
| ¼    | 8   | 2.13       | 54  | 1.63 | 41  | 1.63 | 41  | 1.38 | 35  | 0.54  | 0.24 | 0.54  | 0.24 | 50    |     |                  |
| ⅝    | 10  | 2.13       | 54  | 1.63 | 41  | 1.63 | 41  | 1.31 | 33  | 0.54  | 0.24 | 0.53  | 0.24 | 50    |     |                  |
| ½    | 15  | 2.44       | 62  | 1.69 | 43  | 1.69 | 43  | 1.50 | 38  | 0.60  | 0.27 | 0.60  | 0.27 | 50    |     |                  |
| ¾    | 20  | 2.94       | 75  | 1.88 | 48  | 1.88 | 48  | 1.88 | 48  | 0.98  | 0.44 | 0.99  | 0.45 | 50    |     |                  |
| 1    | 25  | 3.56       | 90  | 2.31 | 59  | 2.31 | 59  | 2.25 | 57  | 1.58  | 0.72 | 1.57  | 0.71 | 30    |     |                  |
| 1¼   | 32  | 4.19       | 106 | 2.69 | 68  | 2.69 | 68  | 2.75 | 70  | 2.39  | 1.08 | 2.34  | 1.06 | 20    |     |                  |
| 1½   | 40  | 4.50       | 114 | 2.94 | 75  | 2.94 | 75  | 3.13 | 79  | 3.16  | 1.43 | 3.11  | 1.41 | 10    |     |                  |
| 2    | 50  | 5.25       | 133 | 3.94 | 100 | 3.94 | 100 | 3.75 | 95  | 5.41  | 2.45 | 5.34  | 2.42 | 10    |     |                  |
| 2½   | 65  | 8.00       | 203 | 5.06 | 129 | 5.06 | 129 | 5.31 | 135 | 11.48 | 5.21 | 11.20 | 5.08 | 5     |     |                  |
| 3    | 80  | 9.25       | 235 | 6.25 | 159 | 6.25 | 159 | 6.25 | 159 | 17.53 | 7.95 | 16.91 | 7.67 | 4     |     |                  |

Ordering: T-433 and S-433 normally furnished with Bronze Disc (T-433-B) or (S-433-B).  
Both available with TFE Steam Disc (T-433-Y), (S-433-Y).

NIBCO check valves may be installed in both horizontal and vertical lines with upward flow or in any intermediate position. They will operate satisfactorily in a declining plane (no more than 15°).

**Warning – Do Not Use For Reciprocating Air Compressor Service.**

◆ For detailed Operating Pressure, refer to Pressure Temperature Chart on page 111.