

## PVC Chemcock and Calibrated Needle Valves



### 150 psi at 73°F water—non-shock—full port

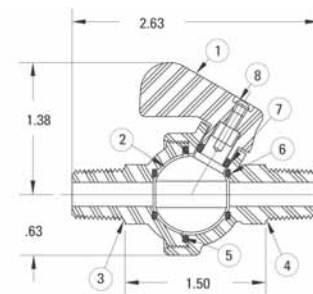
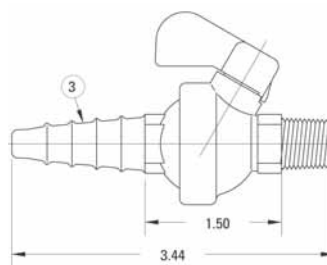
The Chemtrol Chemcock Valve is ideal for laboratories, monitoring systems, sampling, and a variety of other applications as original equipment. Its (4.8) calculated fluid flow coefficient ( $C_v$ ) is based on the laying length being equivalent to 1/4" Schedule 80 pipe.

#### Chemtrol Figure No.

A45CC-V	1/4" Hose x 1/4" MPT
M45CC-V	1/4" MPT x 1/4" MPT

#### Features

- Easily adaptable to any type of connection.
- Opens and closes with only a quarter turn.
- Replaceable FPM O-ring seats and seals.
- Corrosion-resistant all thermoplastic PVC construction.
- No sticking or galling.
- Full port design.



Approx. Weight 0.06 lbs.

#### Construction

Part	Material
1. Handle	PVC
2. Ball/Stem	PVC
3. Body End – Hose or Thread	PVC
4. Body Half – Stem Side	PVC
5. O-Ring – Body Seal	FPM <sup>1</sup>
6. O-Ring – Ball Seats (2)	FPM <sup>1</sup>
7. O-Ring – Stem Seal	FPM <sup>1</sup>
8. Handle Screw	Cadmium Plated Steel

<sup>1</sup> FPM is also known as FKM. These seals are molded from Viton or Fluorel brands of rubber.



### 150 psi at 73°F water—non-shock

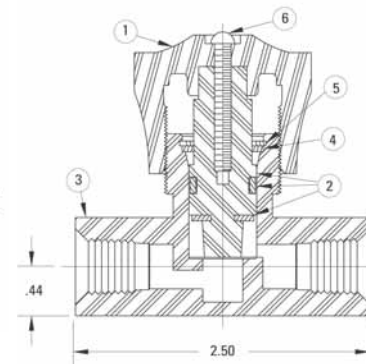
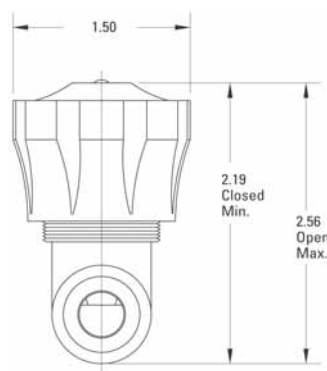
The Chemtrol Calibrated Needle Valve is ideally suited to the fine regulation of liquid flow required in instrumentation and laboratory work. The flow through the 1/4" valve can be accurately adjusted by observing the knob handle exposing numerals molded on the valve body.

T45CN-V	1/4" FPT x 1/4" FPT
---------	---------------------

#### Features

- Precise flow measurement.
- Positive stop for safe operation.
- Teflon seat prevents wear on needle.
- All thermoplastic PVC construction.

Knob Position	GPM @ Constant 50 PSI
8	.85
7	1.41
6	1.79
5	2.15
4	2.42
3	3.15
2	4.40
1	4.50



Approx. Weight 0.13 lbs.

#### Construction

Part	Material
1. Adjustment Knob	PVC
2. Stem Assembly	PVC w/TFE Seat Seal & FPM <sup>1</sup> Stem Seal
3. Body	PVC
4. Retainer Washer	PVC
5. Snap Ring	Stainless Steel
6. Screw	Stainless Steel

<sup>1</sup> FPM is also known as FKM. These seals are molded from Viton or Fluorel brands of rubber.

#### Notes

For more insight into the selection of materials, refer to *Materials*, page 1. For the specific relationship of pressure vs. temperature, refer to *Engineering Data*, page 33. For *Chemtrol Valve Standards*, see page 35.