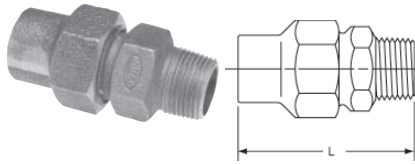
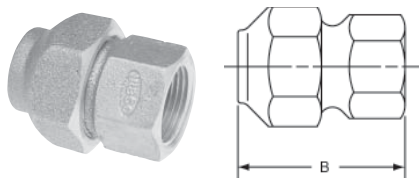


ADAPTERS



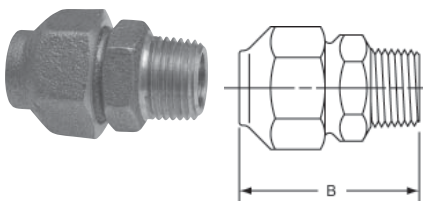
104
Heavy Flared Adapter
FL x M – Cast

NOM. SIZE	APPROX. NET WT./LBS.	DIM. L INCHES
3/4	0.60	2 ¹ / ₂
1	1.24	3 ¹ / ₄



503
Flared Adapter FL x F – Cast

NOM. SIZE	APPROX. NET WT./LBS.	DIM. B INCHES
1/2	0.36	1 ⁷ / ₈
3/4	0.48	2 ¹ / ₃₂
1	1.03	2 ³ / ₄
1 1/2	1.99	3 ⁷ / ₃₂
2	3.22	3 ⁹ / ₁₆

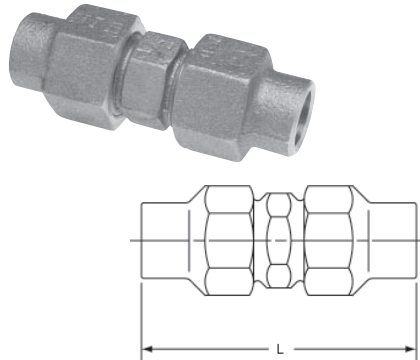


504
Flared Adapter FL x M – Cast

NOM. SIZE	APPROX. NET WT./LBS.	DIM. B INCHES
1/2	0.29	1 ³² / ₃₂
3/4	0.58	2 ¹¹ / ₁₆
1	0.88	3 ³ / ₁₆
1 1/2	1.89	3 ³ / ₄
2	2.95	4 ¹⁵ / ₁₆

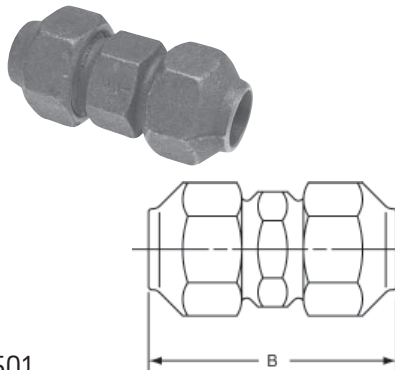
Consult price sheet for Made to Order items and for minimum order quantities.

COUPLINGS



101
Heavy Flared Coupling
FL x FL – Cast

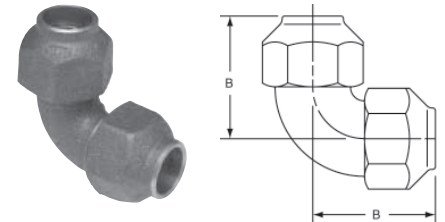
NOM. SIZE	APPROX. NET WT./LBS.	DIM. L INCHES
3/4	0.98	3 ¹³ / ₁₆
1	1.70	5 ⁵ / ₁₆



501
Flared Coupling FL x FL – Cast

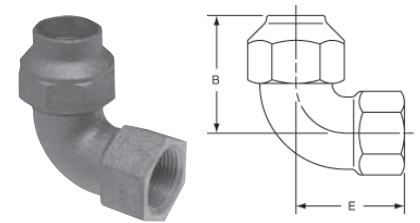
NOM. SIZE	APPROX. NET WT./LBS.	DIM. B INCHES
1/2	0.45	2 ³ / ₈
3/4	0.60	2 ¹ / ₂
1	1.24	3 ¹ / ₄
1 1/4	2.18	3 ¹ / ₂
1 1/2	2.65	3 ²³ / ₃₂
2	4.03	4 ¹ / ₄

ELBOWS



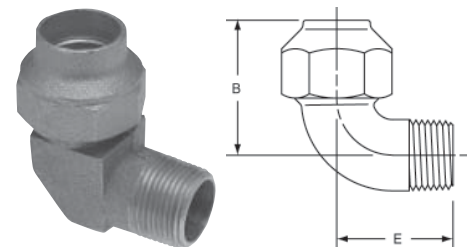
507
Flared 90° Elbow FL x FL – Cast

NOM. SIZE	APPROX. NET WT./LBS.	DIM. B INCHES
1/2	0.54	1 ⁵ / ₈
3/4	0.77	1 ³¹ / ₃₂
1	1.60	2 ⁹ / ₁₆
2	5.39	3 ⁷ / ₈



507-3
Flared 90° Elbow FL x F – Cast

NOM. SIZE	APPROX. NET WT./LBS.	DIM. B INCHES	DIM. E INCHES
1/2	0.49	1 ⁵ / ₈	1 ¹ / ₂
3/4	0.69	1 ¹⁵ / ₁₆	1 ⁵ / ₈
1	1.43	2 ⁹ / ₁₆	2 ¹ / ₄



507-4
Flared 90° Elbow FL x M – Cast

NOM. SIZE	APPROX. NET WT./LBS.	DIM. B INCHES	DIM. E INCHES
1/2	0.34	1 ¹¹ / ₁₆	1 ¹³ / ₃₂
3/4	0.55	1 ³¹ / ₃₂	1 ¹⁹ / ₃₂
1	1.34	2 ³ / ₃₂	2
1 1/2	2.80	3 ⁵ / ₁₆	2 ¹ / ₂