



# Selectomite® 71 and 76 Series

## 3-way Ball Valves

Selectomite® 3-way ball valves use 180° operation for diverting flow from one line to another. The handle points to the side port in use; when perpendicular to the side ports, it indicates the shutoff position.



### Typical Applications

- Instrument air lines
- Sampling systems
- 2-way gauge readout of line pressure
- Manual cylinder actuation

### Technical Data

<b>BODY MATERIAL*</b>	316 stainless steel, brass, Monel®
<b>OPERATING PRESSURE RANGE***</b>	Moderate vacuum** to 6000 psig @ 70° F (414 bar @ 21° C)
<b>OPERATING TEMPERATURE RANGE</b>	7165 Series -40° F to +350° F (-40° C to +177° C) 7177 Series 0° F to +350° F (-18° C to +177° C) 7671, 7673 Series -40° F to +250° F (-40° C to +121° C)
<b>ORIFICE SIZES</b>	0.093" to 0.187" (2.4 to 4.8mm)
<b>Cv FACTORS</b>	0.15 to 0.57
<b>END CONNECTIONS</b>	½" to ½" Gyrolok® ¾" to ¼" NPT 3 to 8mm Gyrolok®

\* Consult factory for other materials

\*\* Moderate vacuum is 10<sup>-3</sup> to 20 torr. Pressure rating is for inlet through Port 3. For side loading (inlet at Port 1 or 2), see note under How to Order table for each series on page 21 and 22. For differential pressures up to 6000 psig, see Selectomite® 76 Series 3-way trunnion valves.

\*\*\* Depending on valve series.

### Features & Benefits

- Handle points to port in use or to closed position, providing a visual cue and improved safety.
- Dyna-Pak® packing provides a leak-tight seal with low operating torque in vacuum or high pressure applications, helping to prevent fugitive emissions.
- Dual encapsulated TFE seats and microfinished ball ensure a leak tight seal. This combination provides greater valve reliability.
- TFE seats and washers provide excellent corrosion resistance, providing the correct material for the application.
- A wide variety of HOKE Gyrolok® end fittings or pipe fittings provide the correct fitting option for the application.
- Special High Tolerance NPT Thread

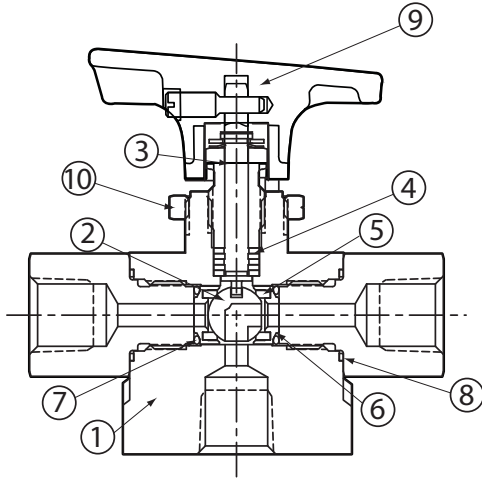
ball valves

### HOKE Incorporated

405 Centura Court • PO Box 4866 (29305) • Spartanburg, SC 29303  
Phone (864) 574-7966 Fax (864) 587-5608  
www.hoke.com • sales@hoke.com

# Selectomite® 71 and 76 Series

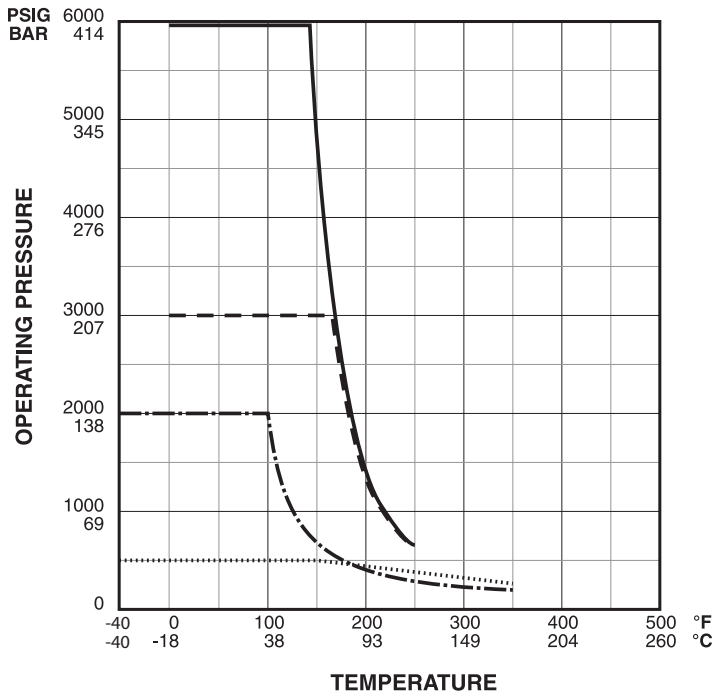
## Materials of Construction



DESCRIPTION	BRASS	316 STAINLESS STEEL	MONEL®
1 Body	Brass	316 stainless steel	Monel®
2 Ball	316 stainless steel	316 stainless steel	Monel®
3 Stem	316 stainless steel	316 stainless steel	Monel®
4 Stem packing	TFE/316 stainless steel wafers	TFE/316 stainless steel wafers	TFE/Monel® wafers
5 <b>Seats</b> 7165, 7177 Series 7671 Series 7673 Series	TFE Nylatron® —	TFE — Nylatron®	TFE — —
6 Seat retainers	Brass	316 stainless steel	Monel®
7 <b>Seat washers†</b> 7177, 7673 Series 7165 Series 7671 Series	— TFE Buna-N	Viton® TFE —	— TFE —
8 End fitting gaskets	TFE	TFE	TFE
9 Handle	Nylon	Nylon	Nylon
10 Panel mounting nut	Nickel-plated brass	316 stainless steel	Nickel-plated brass

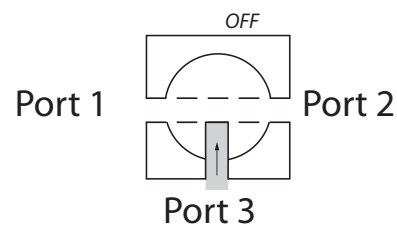
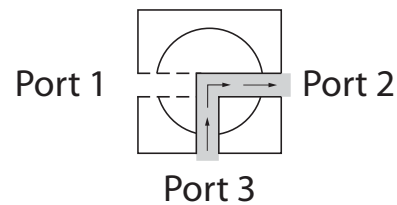
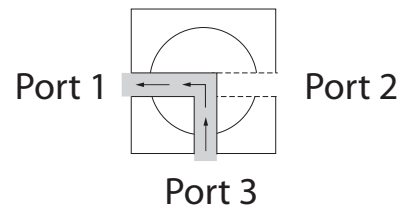
† Other elastomers are available upon request. Contact your local distributor

## Pressure vs. Temperature Curve



- ..... 7165 Valves
- · - · 7177 Valves
- - - 7671 Valves
- 7673 Valves

## Flow Diagrams 3-way valve



# Selectomite® 71 and 76 Series

## Dimensions

### Selectomite® 7177 Series

END CONNECTIONS		C	E	G	H	H <sup>1</sup>
1/8" Gyrolok®	inch	1 <sup>27</sup> / <sub>64</sub>	2 <sup>7</sup> / <sub>8</sub>	1 <sup>1</sup> / <sub>4</sub>	1 <sup>23</sup> / <sub>32</sub>	2 <sup>3</sup> / <sub>64</sub>
	mm	36	73	32	44	9
1/8" female NPT	inch	1 <sup>27</sup> / <sub>64</sub>	2 <sup>1</sup> / <sub>4</sub>	1 <sup>1</sup> / <sub>4</sub>	3/4	2 <sup>3</sup> / <sub>64</sub>
	mm	36	57	32	19	9
1/4" Gyrolok®	inch	1 <sup>27</sup> / <sub>64</sub>	3 <sup>3</sup> / <sub>32</sub>	1 <sup>1</sup> / <sub>4</sub>	1 <sup>13</sup> / <sub>16</sub>	2 <sup>3</sup> / <sub>64</sub>
	mm	36	78	32	46	9
3mm Gyrolok®	inch	1 <sup>27</sup> / <sub>64</sub>	2 <sup>7</sup> / <sub>8</sub>	1 <sup>1</sup> / <sub>4</sub>	1 <sup>23</sup> / <sub>32</sub>	2 <sup>3</sup> / <sub>64</sub>
	mm	36	73	32	44	9
6mm Gyrolok®	inch	1 <sup>27</sup> / <sub>64</sub>	3 <sup>3</sup> / <sub>32</sub>	1 <sup>1</sup> / <sub>4</sub>	1 <sup>13</sup> / <sub>16</sub>	2 <sup>3</sup> / <sub>64</sub>
	mm	36	78	32	46	9

### Panel mounting

Panel hole: 1<sup>9</sup>/<sub>32</sub>" (15.1mm) diameter

Panel thickness: 3/16" (4.8mm) diameter

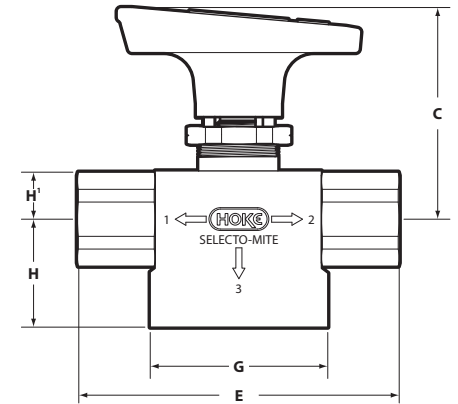
### Selectomite® 7165, 7671, 7673 Series

END CONNECTIONS		C	E	G	H	H <sup>1</sup>
1/8" Gyrolok®	inch	1 <sup>15</sup> / <sub>16</sub>	3 <sup>7</sup> / <sub>16</sub>	1 <sup>3</sup> / <sub>4</sub>	2	7/16
	mm	49	87	44	51	11
1/4" Gyrolok®	inch	1 <sup>15</sup> / <sub>16</sub>	3 <sup>5</sup> / <sub>8</sub>	1 <sup>3</sup> / <sub>4</sub>	2 <sup>1</sup> / <sub>16</sub>	7/16
	mm	49	92	44	52	11
1/4" female NPT	inch	1 <sup>3</sup> / <sub>4</sub>	3	1 <sup>3</sup> / <sub>4</sub>	1 <sup>5</sup> / <sub>16</sub>	7/16
	mm	44	76	44	24	11
3/8" Gyrolok®	inch	1 <sup>15</sup> / <sub>16</sub>	3 <sup>7</sup> / <sub>8</sub>	1 <sup>3</sup> / <sub>4</sub>	2 <sup>3</sup> / <sub>16</sub>	7/16
	mm	49	98	44	56	11
3mm Gyrolok®	inch	1 <sup>15</sup> / <sub>16</sub>	3 <sup>7</sup> / <sub>16</sub>	1 <sup>3</sup> / <sub>4</sub>	2	7/16
	mm	49	87	44	51	11
6mm Gyrolok®	inch	1 <sup>15</sup> / <sub>16</sub>	3 <sup>5</sup> / <sub>8</sub>	1 <sup>3</sup> / <sub>4</sub>	2 <sup>1</sup> / <sub>16</sub>	7/16
	mm	49	92	44	52	11
8mm Gyrolok®	inch	1 <sup>15</sup> / <sub>16</sub>	3 <sup>7</sup> / <sub>8</sub>	1 <sup>3</sup> / <sub>4</sub>	2 <sup>3</sup> / <sub>16</sub>	7/16
	mm	49	98	44	56	11

### Panel mounting

Panel hole: 5<sup>7</sup>/<sub>64</sub>" (22.6mm) diameter

Panel thickness: 3/16" (4.8mm) diameter



Dimensions for reference only, subject to change.

## How to Order Standard Valves

### Selectomite® 7165 Series Pressure to 500 psig (34 bar), TFE Seats—TFE Washers

END CONNECTIONS	ORDER BY PART NUMBER				
	BRASS	316 ST. STEEL	MONEL®	ORIFICE	C <sub>v</sub>
1/8" Gyrolok®	7165G2B	7165G2Y	—	0.093" (2.4mm)	0.15 <sup>‡</sup>
1/4" Gyrolok®	7165G4B	7165G4Y	7165G4M	0.187" (4.7mm)	0.57
1/4" female NPT	7165F4B	7165F4Y	7165F4M	0.187" (4.7mm)	0.57
3/8" Gyrolok®	7165G6B	7165G6Y	—	0.187" (4.7mm)	0.57
1/2" Gyrolok®	7165G8B	7165G8Y	7165G8M	0.189" (4.8mm)	0.57
3mm Gyrolok®	—	7165G3YMM	—	0.093" (2.4mm)	0.15 <sup>‡</sup>
6mm Gyrolok®	—	7165G6YMM	—	0.187" (4.7mm)	0.57
8mm Gyrolok®	—	7165G8YMM	—	0.187" (4.7mm)	0.57

NOTE: Maximum differential pressure between side ports is 500 psig (34 barg).

‡ Orifice restricted by end connection.



7165G4B

# Selectomite® 71 and 76 Series

## How to Order Standard Valves (continued)



7177G2Y

### Selectomite® 7177 Series Pressure to 2000 psig (138 bar)

TFE Seats—Viton® Washers

END CONNECTIONS	ORDER BY PART NUMBER		
	316 STAINLESS STEEL	ORIFICE	Cv
1/8" Gyrolok®	7177G2Y	0.093" (2.4mm)	0.15 <sup>‡</sup>
1/8" female NPT	7177F2Y	0.125" (3.2mm)	0.30
1/4" Gyrolok®	7177G4Y	0.125" (3.2mm)	0.30
3mm Gyrolok®	7177G3YMM	0.125" (3.2mm)	0.15 <sup>‡</sup>
6mm Gyrolok®	7177G6YMM	0.093" (2.4mm)	0.15 <sup>‡</sup>

Note: Maximum differential pressure between side ports is 1500 psig (103 bar).

‡ Orifice restricted by end connection.

### Selectomite® 7671 Series Pressure to 3000 psig (207 bar)

Nylatron® Seats—Buna-N Washers

END CONNECTIONS	ORDER BY PART NUMBER		
	BRASS	ORIFICE	Cv
1/4" Gyrolok®	7671G4B	0.187" (4.7mm)	0.53
1/4" female NPT	7671F4B	0.187" (4.7mm)	0.57
1/2" Gyrolok®	7671G8B	0.188" (4.8mm)	0.53

Note: Maximum differential pressure between side ports is 1500 psig (103 bar).



7673F4Y

### Selectomite® 7673 Series Pressure to 6000 psig (414 bar)

Nylatron® Seats—Viton® Washers

END CONNECTIONS	ORDER BY PART NUMBER		
	316 STAINLESS STEEL	ORIFICE	Cv
1/4" Gyrolok®	7673G4Y	0.187" (4.7mm)	0.57
1/4" female NPT	7673F4Y	0.187" (4.7mm)	0.57
3/8" Gyrolok®	7673G6Y	0.187" (4.7mm)	0.57
1/2" Gyrolok®	7673G8Y	0.187" (4.7mm)	0.66
6mm Gyrolok®	7673G6YMM	0.187" (4.7mm)	0.57

Note: Maximum differential pressure between side ports is 1500 psig (103 bar).

## ***For Your Safety***

---

It is solely the responsibility of the system designer and user to select products suitable for their specific application requirements and to ensure proper installation, operation, and maintenance of these products. Material compatibility, product ratings and application details should be considered in the selection. Improper selection or use of products described herein can cause personal injury or property damage.

*VCR® is a registered trademark of Cajon Co.*

*Dow Corning® is a registered trademark of Dow Corning Corporation*

*Nylatron® is a registered trademark of DSM Engineering Plastic Products*

*Teflon® is a registered trademark of the DuPont Company*

*Kalrez® and Viton® are registered trademarks of DuPont DOW Elastomers*

*Dyneon™ is a trademark of Dyneon*

*Elgiloy® is a registered trademark of Elgiloy Specialty Metals*

*Gyrolok®, Dyna-Pak®, Rotoball®, Flomite®, Selectomite®, and Multimit® are registered trademarks of HOKE, Inc.*

*Space Savers™, Ultramite™, and Vaculok™ are trademarks of HOKE, Inc.*

*Rulon® is a registered trademark of Saint-Gobain Corporation*

*Monel® and Inconel® are registered trademarks of Special Metals Corporation*

*Grafoil® is a registered trademark of Graf Tech International Ltd.*

*PEEK™ is a trademark of Victrex PLC*

[www.dowcorning.com](http://www.dowcorning.com)

[www.dsm.com](http://www.dsm.com)

[www.dupont-dow.com](http://www.dupont-dow.com)

[www.3m.com](http://www.3m.com)

[www.elgiloy.com](http://www.elgiloy.com)

[www.hoke.com](http://www.hoke.com)

[www.hoke.com](http://www.hoke.com)

[www.saint-gobain.com](http://www.saint-gobain.com)

[www.specialmetals.com](http://www.specialmetals.com)

[www.graftech.com](http://www.graftech.com)

[www.victrex.com](http://www.victrex.com)