

Model: 89-GEN**Grooved End Butterfly Valves
Sizes: 2½" - 12" (65 - 300mm)****Pressure / Temperature – Non-Shock**

Model	Rating
89-GEN	CWP 175psi (12.1 bar) 275°F (135°C)



Model 89-GEN



Model 89-GEN

Model 89-GEN Grooved End Butterfly Valves consist of an epoxy coated ductile iron body, BUNA-N or EPDM encapsulated ductile iron disc and a 431 stainless steel two-piece stem. Pressure rated to 175psi CWP. Grooved end designed to ANSI/AWWA C-606 Rigid Grooved Specification.

Features

- 89-GEN available with ten position lever handle or gear operator
- Two-piece 431 stainless steel shaft
- Teflon® shaft bushings
- NRB O-ring shaft seals
- Epoxy coated ductile iron body
- BUNA-N or EPDM encapsulated ductile iron disc
- ANSI/AWWA C-606 rigid grooved specification
- Complies with the requirements for MSS-SP67

Model

- 89-GEN - with lever handle
- 89-GEN - with gear operator

Specifications

Grooved end butterfly valve shall be installed as indicated on the plans. Valve shall consist of an epoxy coated ductile iron body, BUNA-N or EPDM encapsulated ductile iron disc and a 431 stainless steel two-piece stem. Valve shall be pressure rated to 175psi (12.1 bar) CWP. Grooved end designed to ANSI/AWWA C-606 rigid grooved specification. Valve shall be a Mueller Steam 89-GEN Series.

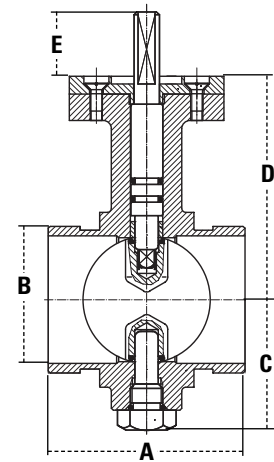
Materials

	89-GEN
Body	Epoxy Coated Ductile Iron, A536 65-45-12
Disc	BUNA-N or EPDM encapsulated Ductile Iron disc
Upper Stem	Stainless Steel, A276 Type 431
Upper O-Ring	Nitrile Rubber, NBR
Bushing	Teflon®
Lower Stem	Stainless Steel, A276 Type 431
Lower O-Ring	Nitrile Rubber, NBR

Dimensions and Weights

89-GEN Butterfly Valves

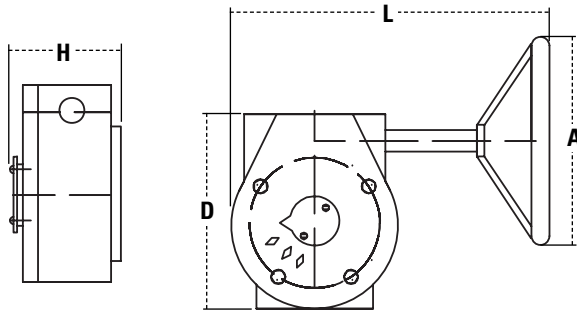
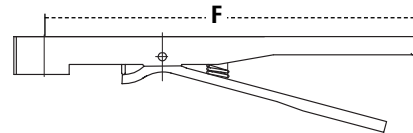
SIZE		DIMENSIONS										WEIGHT	
in.	mm	A		B		C		D		E		lbs.	kgs.
2½	65	3⅞	98	2⅞	73	2 ⁹ / ₁₆	65	4	102	1⅝	41	8.5	3.9
3	80	3⅞	98	3 ⁹ / ₁₆	90	2 ⁹ / ₁₆	75	4 ⁵ / ₁₆	109	1⅝	41	10.1	4.6
4	100	4 ⁹ / ₁₆	116	4½	115	3 ⁵ / ₈	92	5	128	1⅝	41	15.9	7.2
5	125	5 ⁷ / ₈	149	5 ³ / ₈	137	4¾	120	6¼	155	1¾	45	23.1	10.5
6	150	5 ⁷ / ₈	149	6 ⁵ / ₈	169	5¼	133	5 ¹⁵ / ₁₆	151	2⅞	54	30.3	13.8
8	200	5¼	134	8 ¹³ / ₁₆	223	6½	166	7 ⁵ / ₈	194	2 ¹⁵ / ₁₆	58	46.2	21.0
10	250	6 ⁵ / ₁₆	160	10 ¹³ / ₁₆	274	8½	216	7 ⁵ / ₈	194	2 ³ / ₁₆	56	75.2	34.2
12	300	6½	165	12½	318	10 ¹ / ₈	258	10½	266	1¾	45	85	38.5



Model 89-GEN

Torque Rating information for Grooved End Butterfly Valves

SIZE	2.5"	3"	4"	5"	6"	8"	10"	12"
Ft-lb	16	18	36	118	147	210	383	497
N-M	22	24	49	160	199	285	519	674



Handle Length

SIZE (DN)		DIMENSIONS		WEIGHT	
in.	mm	F		lbs.	kgs.
2½	65	10 ⁹ / ₁₆	268	1.6	3.5
3	80	10 ⁹ / ₁₆	268	1.6	3.5
4	100	10 ⁹ / ₁₆	268	1.6	3.5
5	127	14 ³ / ₁₆	360	1.6	3.5
6	150	14 ³ / ₁₆	360	1.6	3.5
8	200	15½	394	3.6	8.0
10	250	15½	394	3.6	8.0
12	305	15½	394	3.6	8.0

Gear Operator

SIZE (DN)		GEAR RATIO		DIMENSIONS								WEIGHT	
in.	mm	A		D		H		L		lbs	kg		
2½	65	24:1	5¾	146	4	102	2½	64	7½	191	11.06	24.38	
3	80	24:1	5¾	146	4	102	2½	64	7½	191	11.06	24.38	
4	100	24:1	5¾	146	4	102	2½	64	7½	191	11.06	24.38	
5	125	24:1	5¾	146	4	102	2½	64	7½	191	11.06	24.38	
6	150	24:1	5¾	146	4	102	2½	64	7½	191	11.06	24.38	
8	200	30:1	12	305	6	152	3	76	10½	267	23.90	52.69	
10	250	30:1	12	305	6	152	3	76	10½	267	23.90	52.69	
12	300	30:1	12	305	6	152	3	76	10½	267	23.90	52.69	

CALIFORNIA PROPOSITION 65 WARNING

WARNING: This product contains chemicals known to the State of California to cause cancer and birth defects or other reproductive harm. (California law requires this warning to be given to customers in the State of California.)

For more information: www.watts.com/prop65

Limited Warranty: Mueller Steam Specialty warrants each product to be free from defects in material and workmanship under normal usage for a period of one year from the date of original shipment. In the event of such defects within the warranty period, the Company will, at its option, replace or recondition the product without charge. This shall constitute the sole and exclusive remedy for breach of warranty, and the Company shall not be responsible for any incidental, special or consequential damages, including without limitation, lost profits or the cost of repairing or replacing other property which is damaged if this product does not work properly, other costs resulting from labor charges, delays, vandalism, negligence, fouling caused by foreign material, damage from adverse water conditions, chemical, or any other circumstances over which the Company has no control. This warranty shall be invalidated by any abuse, misuse, misapplication or improper installation of the product. **THIS WARRANTY IS IN LIEU OF ALL OTHER WARRANTIES, EXPRESS OR IMPLIED, INCLUDING ANY IMPLIED WARRANTIES OF MERCHANTABILITY OR FITNESS FOR A PARTICULAR PURPOSE.** Any implied warranties that are imposed by law are limited in duration to one year.

Some States do not allow limitations on how long an implied warranty lasts, and some States do not allow the exclusion or limitation of incidental or consequential damages. Therefore the above limitations may not apply to you. This Limited Warranty gives you specific legal rights, and you may have other rights that vary from State to State. You should consult applicable state laws to determine your rights.



A Division of Watts Water Technologies, Inc.

USA: 1491 NC Hwy 20 West St. Pauls, NC 28384; www.muellersteam.com

Tel: 910-865-8241 Fax: 910-865-6220

Toll Free Phone 1-800-334-6259 Toll Free Fax: 1-800-421-6772