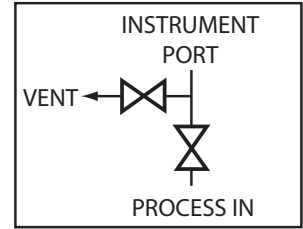


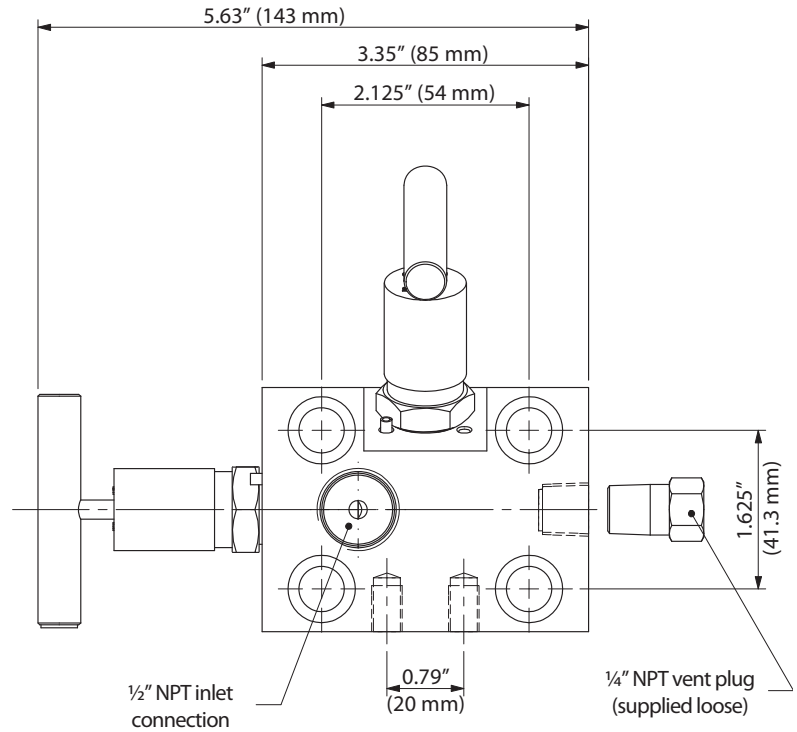
2-Valve General Purpose Manifold-Direct Mount

Dimensions

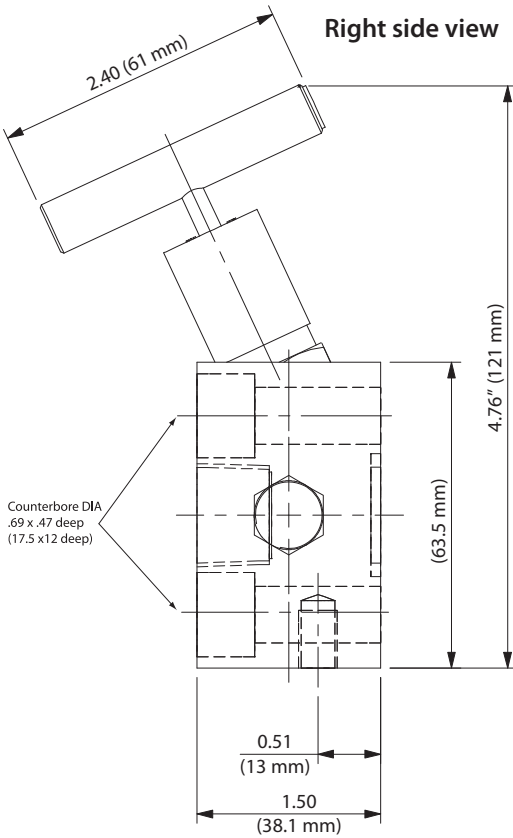
Dimensions in inches (millimeters) are for reference only and are subject to change.



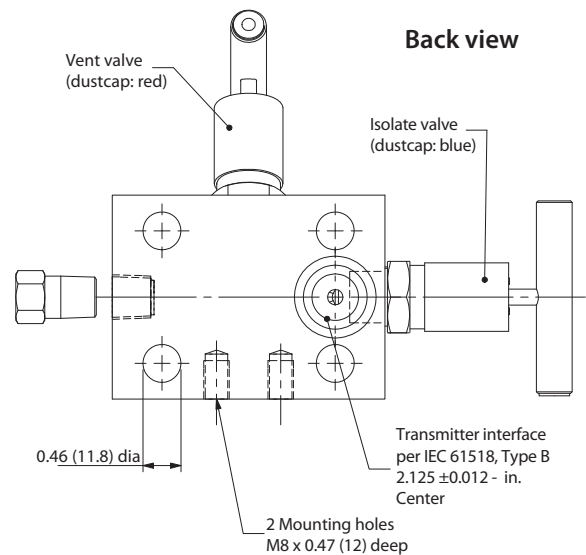
Front view



Right side view



Back view



How to Order

PART NUMBER	PACKING	ACCESSORIES (NOT INCLUDED)
GP821211F8YL	PTFE	Mounting kit—Order No. 800000K1 (page 8)
GP821212F8YL	Grafoil	1.5" mounting bolts for Honeywell transmitter (4 required) — Order No. 095-0411-100