



# 1500 Series

Forged Body Toggle Valves



Featuring a simple, reliable design concept, this low-maintenance valve is well suited for a wide variety of applications. The toggle handle provides easy on-off operation and visual indication of flow.

## Benefits

### Safety

- Handle gives visual indication of stem position

### Instant control

- Toggle handle provides instant on-off control

### Vacuum service

- Elastomeric seals provide leak-tight sealing under positive pressure and vacuum conditions

### Reliability

- All valves are tested for bubble-tight leakage at both seat and packing

### Installation variety

- Choose from a broad selection of male NPT, female NPT and HOKE Gyrolok® tube fitting connections

### Handle options

- Color-coded handles are available for identifying system fluids

### Panel mounting

- Panel mounting is standard on all models

## Typical Applications

- Chromatographs and mass spectrometers
- Manometer shutoff valves
- Air lines
- Instrument panels

## Technical Data

<b>Body Material*</b>	316 stainless steel, brass
<b>Maximum Operating Pressure @70° F (21° C)</b>	0.125 orifice: 200 psig (14 bar) 0.219 orifice: 100 psig (7 bar)
<b>Operating Temperature Range</b>	-20° F to +300° F (-29° C to +149° C)
<b>Orifice Sizes</b>	0.125 to 0.219 (3.2 to 5.6mm)
<b>Cv Factors</b>	0.23 to 0.60
<b>End Connection</b>	1/8" to 1/4" Gyrolok®, 1/8" to 3/8" NPT

\* Consult factory for other materials

toggle valves

## HOKE Incorporated

405 Centura Court • PO Box 4866 (29305) • Spartanburg, SC 29303

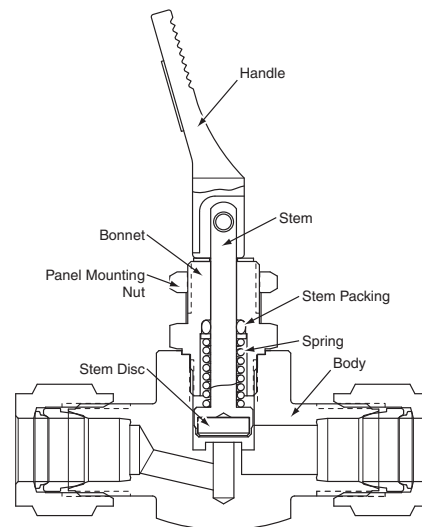
Phone (864) 574-7966 Fax (864) 587-5608

www.hoke.com • sales@hoke.com

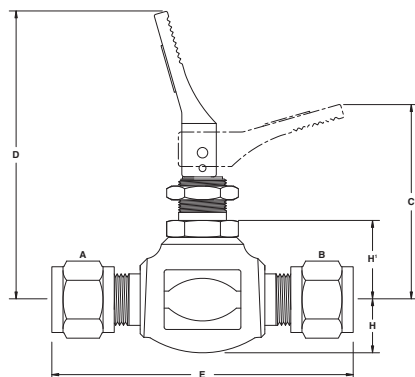
# 1500 Series

## Materials of Construction

Part	Brass Valves	316 Stainless Steel Valves
Body	Brass	316 stainless steel
Stem	Brass	316 stainless steel
Stem packing	Viton® o-ring	Viton® o-ring
Stem disc	Viton®	Viton®
Spring	18-8 stainless steel	18-8 stainless steel
Bonnet	Brass	316 stainless steel
Handle, molded	Nylon, black	Nylon, black
Panel mounting nut	Nickel-plated brass	Nickel-plated brass



## Dimensions

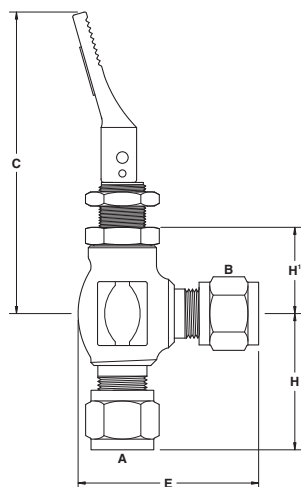


1500 Series Globe Pattern

### 1500 Series: Globe Pattern

Inlet A and Outlet B	C (Closed)	D (Open)	E	H	H <sup>1</sup>
½" Gyrolok®	inch	2 ¼	2 ¾	2 ¾	¾
	mm	44	67	60	19
½" male NPT	inch	2 ¼	1 ¾	2 ¾	¾
	mm	44	67	44	19
½" female NPT	inch	2 ¼	1 ¾	2 ¾	¾
	mm	44	67	44	19
¼" Gyrolok®	inch	2 ¼	2 ¾	2 ¾	¾
	mm	44	67	60	19
¼" male NPT	inch	2 ¼	1 ¾	2 ¾	¾
	mm	44	67	44	19
¼" female NPT	inch	1 ¾	2 ¾	1 ¾	1 ½
	mm	48	71	48	24
¾" male NPT	inch	1 ¾	2 ¾	1 ¾	1 ½
	mm	48	71	48	24

Dimensions for reference only, subject to change.



1500 Series Angle Pattern

### 1500 Series: Angle Pattern

Inlet A and Outlet B	C (Closed)	D (Open)	E	H	H <sup>1</sup>
½" Gyrolok®	inch	2 ¾	1 ⅙	1 ¾	1 ⅙
	mm	42	66	36	28
½" male NPT	inch	2 ¾	1 ⅙	¾	¾
	mm	44	67	32	22
½" female NPT	inch	2 ¾	1 ⅙	¾	¾
	mm	44	67	32	22
¼" Gyrolok®	inch	2 ¾	1 ⅝	1 ¾	¾
	mm	44	67	40	31
¼" male NPT	inch	2 ¾	1 ⅙	¾	¾
	mm	44	67	32	22

Dimensions for reference only, subject to change.

### Panel Mounting

Panel hole: for ¼" female and ¾" male models (0.219 orifice) = ¾" (13.1mm) diameter  
all other models (0.125 orifice) = ¼" (11.5mm) diameter

Panel thickness = ⅝" (4.7mm) maximum

# 1500 Series

## How to Order: Standard Valves

### 1500 Series: Globe Pattern

End Connections	Order by Part Number			Orifice	Cv
	Brass	316 Stainless Steel			
1/8" Gyrolok®	1513G2B	1513G2Y		0.125	0.23
1/8" male NPT	1513M2B	1513M2Y		0.125	0.23
1/8" female NPT	1513F2B	1513F2Y		0.125	0.23
1/4" Gyrolok®	1513G4B	1513G4Y		0.125	0.23
1/4" male NPT	1513M4B	1513M4Y		0.125	0.23
1/4" female NPT	1533F4B	—		0.219	0.60
3/8" male NPT	1533M6B	—		0.219	0.60



1513G4B

### 1500 Series: Angle Pattern

End Connections	Order by Part Number			Orifice	Cv
	Brass				
1/8" Gyrolok®	1523G2B			0.125	0.31
1/8" male NPT	1523M2B			0.125	0.31
1/8" female NPT	1523F2B			0.125	0.31
1/4" Gyrolok®	1523G4B			0.125	0.31
1/4" male NPT	1523M4B			0.125	0.31



1523F2B

### Handle Options

Option	Description	Part Number
Handle positioning kit	Secures handle against rotation; permits placement of handle in any position on a panel face.	1500K5
Flip-shut pin	Pin prevents handle from being left in the open position.	59-544
Colored handles	Standard handle is black	Red handle 95626-031 Yellow handle 95626-032 Blue handle 95626-033



Handle Positioning Kit #1500K5



Handle with Flip-shut Pin #59-544

### Spare Parts

Spare parts and repair kits are available for all toggle valves. Please contact your distributor for specific information.

### Cleaning and Testing

When ordering, please specify if oxygen cleaning or helium leak testing is required.

### Additional Sizes

Additional sizes and options are available on special request. Please consult your local HOKE distributor.

Gyrolok® is a registered trademark of HOKE Incorporated.  
Viton® is a registered trademark of DuPont Dow Elastomers.