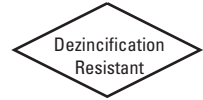


Class 125 Bronze Check Valves

Horizontal Swing • Regrinding Type • Y-Pattern •
Renewable Seat and Disc

125 PSI/8.6 Bar Saturated Steam to 353° F/178° C
200 PSI/13.8 Bar Non-Shock Cold Working Pressure



T-413

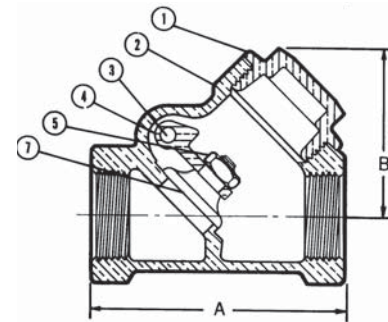
Threaded

CONFORMS TO MSS SP-80

MATERIAL LIST

PART	SPECIFICATION
1. Bonnet	Bronze ASTM B 62
2. Body	Bronze ASTM B 62
3. Hinge Pin	Bronze ASTM B 140 Alloy C31400 or B 134 Alloy C23000
4. Disc Hanger	Bronze ASTM B 62 or 304 Stainless Steel ¼" thru ¾" sizes
5. Hanger Nut	Bronze ASTM B 16
6. Disc Holder	Bronze ASTM B 62
7. Seat Disc	Water, Oil or Gas (Buna-N) (W) Steam (PTFE) (Y) Bronze ASTM B 62 (B) Viton (V)
8. Seat Disc Nut	Bronze ASTM B 16 or B 62
9. Hinge Pin Plug	Bronze ASTM B 140 Alloy C32000 (not shown)
*10. Seat Disc Washer	ASTM B 98 Alloy C65500 or ASTM B 103 (not shown)

*Sizes ¾", 1", 1¼", and 1½" only.



T-413-B

NPT x NPT

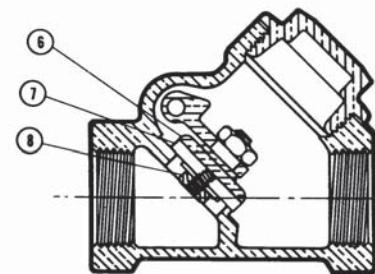
DIMENSIONS—WEIGHTS—QUANTITIES

Size	Dimensions				Master			
	A		B		Lbs.	Kg.	Ctn.	Qty.
In.	mm.	In.	mm.	In.				
¼	8	2.13	54	1.63	41	0.50	0.23	50
⅜	10	2.13	54	1.63	41	0.47	0.22	50
½	15	2.44	62	1.69	43	0.55	0.25	50
¾	20	2.94	75	1.88	48	0.90	0.41	50
1	25	3.56	90	2.31	59	1.46	0.66	30
1¼	32	4.19	106	2.69	68	2.17	0.99	20
1½	40	4.50	114	2.94	75	2.95	1.34	10
2	50	5.25	133	3.94	100	4.79	2.17	10
2½*	65	8.00	203	5.06	129	11.48	5.21	5
3*	80	9.25	235	6.25	159	17.53	7.96	4

Ordering: T-413 normally furnished with Bronze Disc (T-413-B).

Available with PTFE Steam Disc (T-413-Y) or CWP Disc (T-413-W) or 300° F 67 PSI steam Viton Disc (T-413-V).

*— Class 150 (433) furnished for these sizes.



T-413-Y

NPT x NPT

NIBCO check valves may be installed in both horizontal and vertical lines with upward flow or in any intermediate position. They will operate satisfactorily in a declining plane (no more than 15°).

Warning – Do Not Use For Reciprocating Air Compressor Service.