



1500 Series

Forged Body Toggle Valves



Featuring a simple, reliable design concept, this low-maintenance valve is well suited for a wide variety of applications. The toggle handle provides easy on-off operation and visual indication of flow.

Benefits

Safety

- Handle gives visual indication of stem position

Instant control

- Toggle handle provides instant on-off control

Vacuum service

- Elastomeric seals provide leak-tight sealing under positive pressure and vacuum conditions

Reliability

- All valves are tested for bubble-tight leakage at both seat and packing

Installation variety

- Choose from a broad selection of male NPT, female NPT and HOKE Gyrolok® tube fitting connections

Handle options

- Color-coded handles are available for identifying system fluids

Panel mounting

- Panel mounting is standard on all models

Typical Applications

- Chromatographs and mass spectrometers
- Manometer shutoff valves
- Air lines
- Instrument panels

Technical Data

Body Material*	316 stainless steel, brass
Maximum Operating Pressure @70° F (21° C)	0.125 orifice: 200 psig (14 bar) 0.219 orifice: 100 psig (7 bar)
Operating Temperature Range	-20° F to +300° F (-29° C to +149° C)
Orifice Sizes	0.125 to 0.219 (3.2 to 5.6mm)
Cv Factors	0.23 to 0.60
End Connection	1/8" to 1/4" Gyrolok®, 1/8" to 3/8" NPT

* Consult factory for other materials

HOKE Incorporated

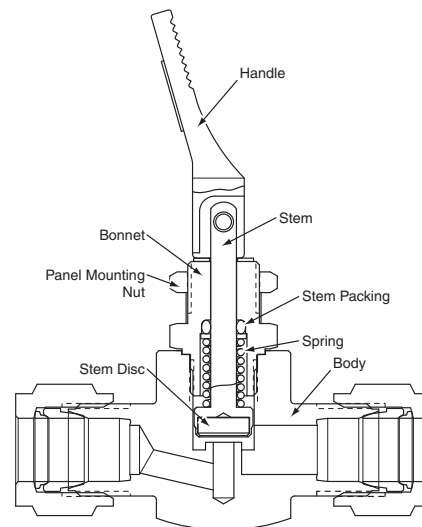
405 Centura Court • PO Box 4866 (29305) • Spartanburg, SC 29303
Phone (864) 574-7966 Fax (864) 587-5608
www.hoke.com • sales@hoke.com

toggle valves

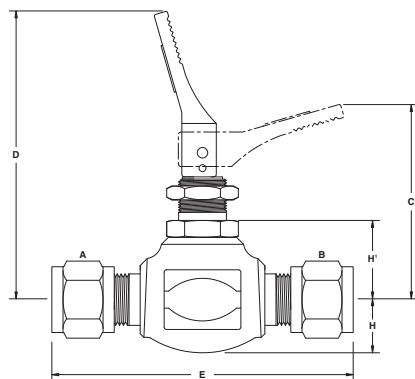
1500 Series

Materials of Construction

Part	Brass Valves	316 Stainless Steel Valves
Body	Brass	316 stainless steel
Stem	Brass	316 stainless steel
Stem packing	Viton® o-ring	Viton® o-ring
Stem disc	Viton®	Viton®
Spring	18-8 stainless steel	18-8 stainless steel
Bonnet	Brass	316 stainless steel
Handle, molded	Nylon, black	Nylon, black
Panel mounting nut	Nickel-plated brass	Nickel-plated brass



Dimensions

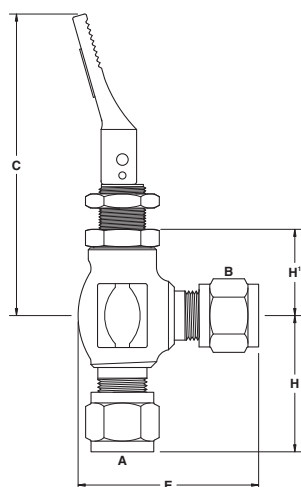


1500 Series Globe Pattern

1500 Series: Globe Pattern

Inlet A and Outlet B	C (Closed)	D (Open)	E	H	H ¹	
½" Gyrolok®	inch	2¼ ⁴	2¾	2¾ ⁴	¾	
	mm	44	67	60	10	19
½" male NPT	inch	2¼ ⁴	1¾	2¾ ⁴	¾	
	mm	44	67	44	10	19
½" female NPT	inch	2¼ ⁴	1¾	2¾ ⁴	¾	
	mm	44	67	44	10	19
¼" Gyrolok®	inch	2¼ ⁴	2¾	2¾ ⁴	¾	
	mm	44	67	60	10	19
¼" male NPT	inch	2¼ ⁴	1¾	2¾ ⁴	¾	
	mm	44	67	44	10	19
¼" female NPT	inch	1½ ⁴	2½ ⁴	1¾	¾ ⁴	¼ ¹⁶
	mm	48	71	48	12	24
¾" male NPT	inch	1½ ⁴	2½ ⁴	1¾	¾ ⁴	¼ ¹⁶
	mm	48	71	48	12	24

Dimensions for reference only, subject to change.



1500 Series Angle Pattern

1500 Series: Angle Pattern

Inlet A and Outlet B	C (Closed)	D (Open)	E	H	H ¹
½" Gyrolok®	inch	1¾ ⁴	2¾ ⁴	1¾	¼ ¹⁶
	mm	42	66	36	28
½" male NPT	inch	1¾ ³²	2¾	1¾ ⁴	¾
	mm	44	67	32	22
½" female NPT	inch	1¾ ³²	2¾	1¾ ⁴	¾
	mm	44	67	32	22
¼" Gyrolok®	inch	1¾ ³²	2¾	1¾ ³²	¾ ⁴
	mm	44	67	40	31
¼" male NPT	inch	1¾ ³²	2¾	1¾ ⁴	¾
	mm	44	67	32	22

Dimensions for reference only, subject to change.

Panel Mounting

Panel hole: for ¼" female and ¾" male models (0.219 orifice) = ¾⁴" (13.1mm) diameter
all other models (0.125 orifice) = ¾⁴" (11.5mm) diameter

Panel thickness = ¾¹⁶" (4.7mm) maximum

1500 Series

How to Order: Standard Valves

1500 Series: Globe Pattern

End Connections	Order by Part Number			Orifice	Cv
	Brass	316 Stainless Steel			
1/8" Gyrolok®	1513G2B	1513G2Y		0.125	0.23
1/8" male NPT	1513M2B	1513M2Y		0.125	0.23
1/8" female NPT	1513F2B	1513F2Y		0.125	0.23
1/4" Gyrolok®	1513G4B	1513G4Y		0.125	0.23
1/4" male NPT	1513M4B	1513M4Y		0.125	0.23
1/4" female NPT	1533F4B	—		0.219	0.60
3/8" male NPT	1533M6B	—		0.219	0.60



1513G4B

1500 Series: Angle Pattern

End Connections	Order by Part Number			Orifice	Cv
	Brass				
1/8" Gyrolok®	1523G2B			0.125	0.31
1/8" male NPT	1523M2B			0.125	0.31
1/8" female NPT	1523F2B			0.125	0.31
1/4" Gyrolok®	1523G4B			0.125	0.31
1/4" male NPT	1523M4B			0.125	0.31



1523F2B

Handle Options

Option	Description	Part Number
Handle positioning kit	Secures handle against rotation; permits placement of handle in any position on a panel face.	1500K5
Flip-shut pin	Pin prevents handle from being left in the open position.	59-544
Colored handles	Standard handle is black	Red handle 95626-031
		Yellow handle 95626-032
		Blue handle 95626-033



Handle Positioning Kit #1500K5



Handle with Flip-shut Pin #59-544

Spare Parts

Spare parts and repair kits are available for all toggle valves. Please contact your distributor for specific information.

Cleaning and Testing

When ordering, please specify if oxygen cleaning or helium leak testing is required.

Additional Sizes

Additional sizes and options are available on special request. Please consult your local HOKE distributor.

Gyrolok® is a registered trademark of HOKE Incorporated.
Viton® is a registered trademark of DuPont Dow Elastomers.