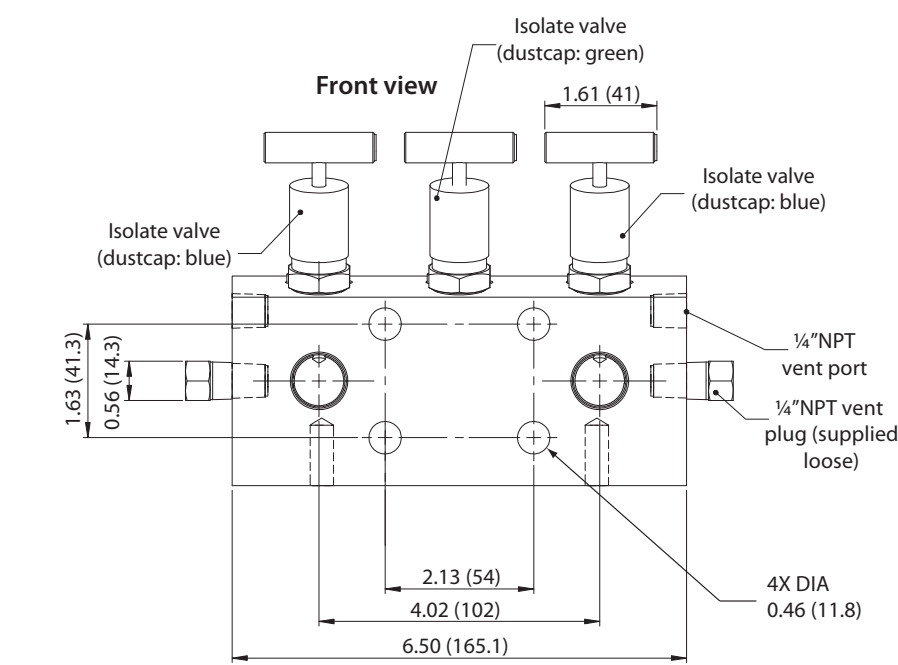
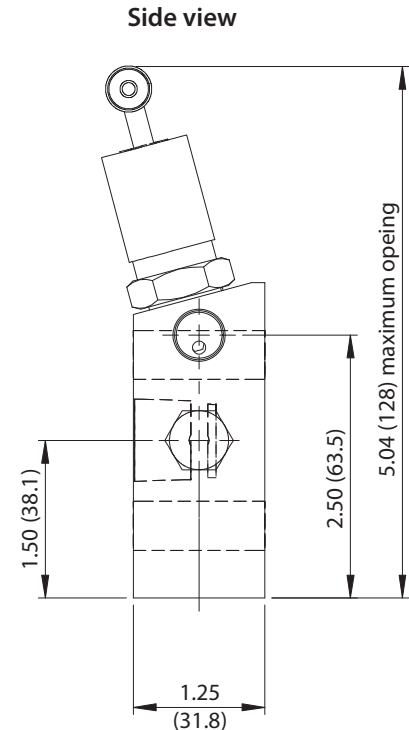
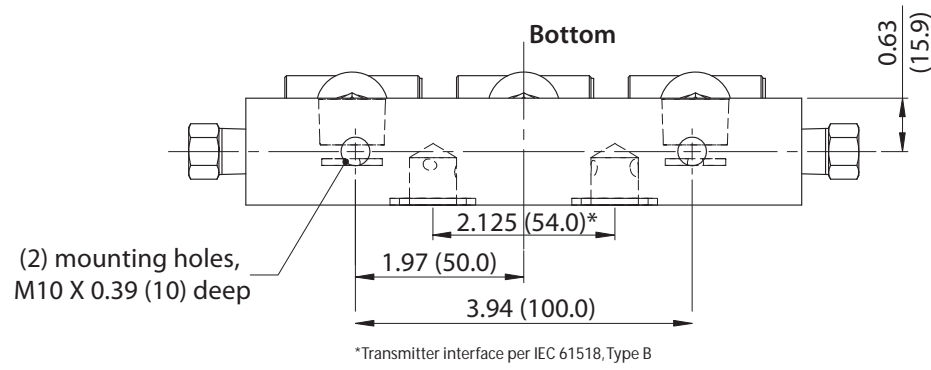
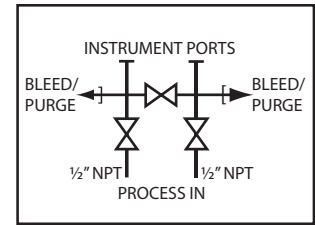


# 3-Valve General Purpose Manifold-Direct Mount

## Dimensions

Dimensions in inches (millimeters) are for reference only and are subject to change.



## How to Order

PART NUMBER	PACKING
GP831211F8YL	PTFE
GP831212F8YL	Grafoil

Mounting kit—Order No. 80000K1 (page 8)  
 1.5" mounting bolts for Honeywell transmitter  
 (4 required) — Order No. 095-0411-100