

## Fig. 22 - Hanger for CPVC Plastic Pipe Single Fastener Strap Type



**Size Range** — 3/4" thru 2" CPVC pipe

**Material** — Pre-Galvanized Steel

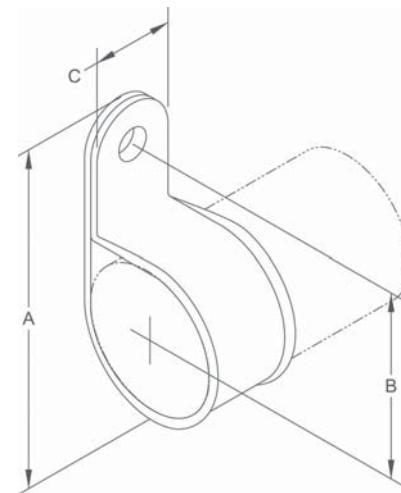
**Function** — Intended to perform as a hanger to support CPVC piping used in automatic fire sprinkler systems. The product acts as a hanger when tab is upward and the fastener screw is in the horizontal position. Figure 22 can be installed on the top of a beam, but in this situation acts as a guide to the piping which is supported by the beam itself. It is not intended to support CPVC pipe from under a flat horizontal surface, such as a ceiling. For this type of installation, use the TOLCO® Fig. 23, Double Fastener Strap for CPVC Piping. Fig. 22, when inverted, with the hanger tab downward, can function as a restrainer to prevent the upward movement of the sprinkler head during activation.

**Approvals** — Underwriters' Laboratories Listed in the USA (**UL**) and Canada (**cUL**) to support fire sprinkler piping. May be installed in wood using fasteners supplied with product, or into minimum 20 gauge steel using (1) 1/4" x 1" tek type screw. Meets and exceeds the requirements of NFPA 13, 13R and 13D.

**Features** — Fig. 22 incorporates features which protect the pipe and ease installation. The flared edge design protects CPVC pipe from any rough surface. It is easily attached to the building structure using the special UL Listed hex head self threading screw furnished with the product, this is the minimum size fastener acceptable. It is recommended that rechargeable electric drills fitted with a hex socket attachment to be used as installation tools. No impact tools (such as a hammer) are allowed. Damage has been known to result from installations using impact type tools. No pre-drilling of a pilot hole in wood is required.

**Finish** — Pre-Galvanized

**Order By** — Figure number and CPVC pipe size.



### Dimensions • Weights

CPVC Pipe Size	A	B	C	Max. Hanger Spacing (Ft.)	Fastener Hex Head Size	Approx. Wt./100
3/4	27/16	15/16	13/16	5½	5/16	9
1	211/16	17/16	13/16	6	5/16	9
1¼	31/16	15/8	13/16	6½	5/16	11
1½	35/16	1¾	13/16	7	5/16	12
2	3¾	2½	13/16	8	5/16	15