



Actuators

Electrically Operated for Metering Valves
115 VAC



Typical Applications

- Positioning and shut-off for Hoke metering valves. Automated instrument and process systems.
- For inaccessible areas where manual operation is not practical or remote control is mandatory.
- Programmed sampling and process control.

Technical Data

VOLTAGE	115 VAC/60 Cycle
RATED CURRENT (FULL LOAD)	2 Amps max.
POWER CONSUMPTION (FULL LOAD)	19 Watts
TORQUE OUTPUT	20 in. lbs.
OUTPUT SPEED	10 RPM
WEIGHT	2.8 lbs.
FEEDBACK POTENTIOMETER	500 OHMS, 2 Watts, Precision 10 turn (geared 1:2 for 20 turn valves).
PILOT LIGHT SWITCHES	10 Amps 125-250 VAC

Features & Benefits

- Limit switch option controls valve travel between two set points and provides pilot light indication of position.
- Feedback potentiometer option provides means of obtaining valve position or system flow signal for automated close loop control systems.
- Continuous stall gear motor.
- Low power consumption – power required during positioning of valve only.
- ½" weather-proof conduit connection is standard; grommet is furnished for field installation
- Special High Tolerance NPT Thread

actuators

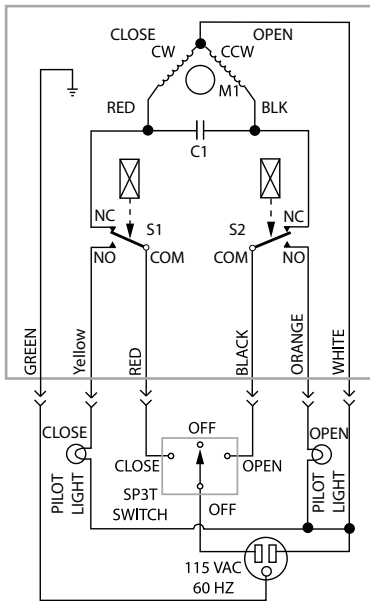
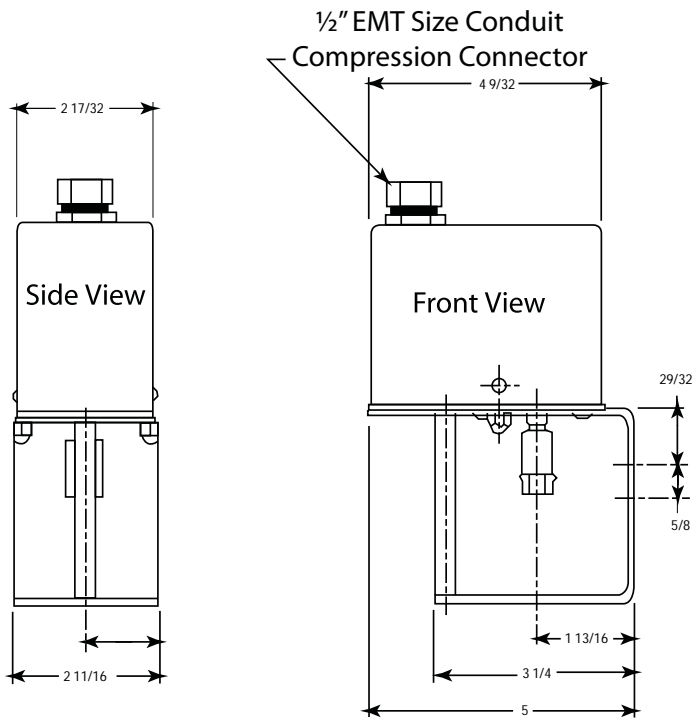
HOKE Incorporated

405 Centura Court • PO Box 4866 (29305) • Spartanburg, SC 29303
Phone (864) 574-7966 Fax (864) 587-5608
www.hoke.com • sales@hoke.com

Actuators

Wiring Diagrams & Outline Drawings

Dimensions in inches

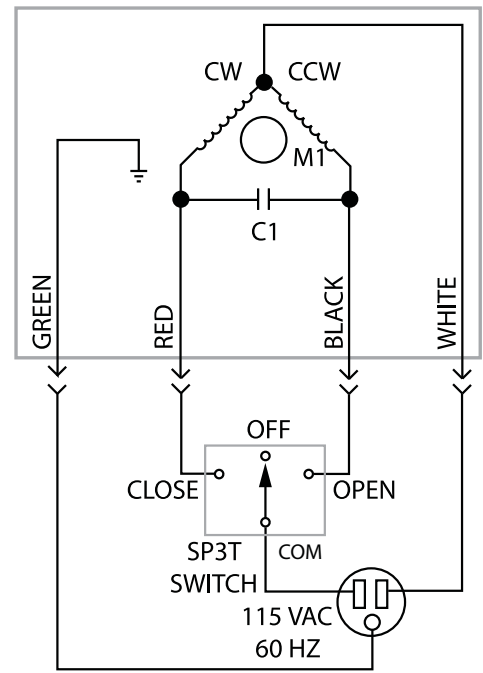
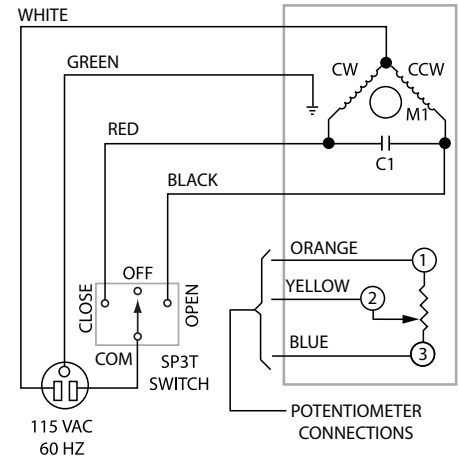


0121L2D, 0121L2E, 0121L2R

0121F2D

0121F2E

0121F2R



0121A2E

How to Order*

ACTUATOR DESCRIPTION	ACTUATOR ORDER NUMBER	FOR USE WITH VALVE SERIES	MOUNTING KIT NUMBER
115 VAC WEATHER-PROOF	0121A2E	2300**	0121K2300
	0121A2D	Milli-Mite® 1315, 1325, 1335, 1345	0121K1300
	0121A2R	Micromite® 1654, 1656, 1666	0121K1600
115 VAC WEATHER-PROOF WITH LIMIT SWITCHES	0121L2E	2300**	0121K2300
	0121L2D	Milli-Mite® 1315, 1325, 1335, 1345	0121K1300
	0121L2R	Micromite® 1654, 1656, 1666	0121K1600
115 VAC WEATHER-PROOF WITH FEEDBACK POTENTIOMETER	0121F2E	2300**	0121K2300
	0121F2D	Milli-mite® 1315, 1325, 1335, 1345	0121K1300
	0121F2R	Micromite® 1654, 1656, 1666	0121K1600

* To order a valve-actuator combination, specify the valve model number from Hoke's Metering Valve Catalog 79013 followed by the actuator number. Example: Valve 2315G4Y with actuator 0121F2E.
For field assembly, the valve number, actuator number, and mounting kit number must be specified.
Factory assembly is highly recommended.

** Actuators may not close 2300 Series valves leak tight above 1500 psig (103 barg).