

# Models: 691MFA, 692MFB, 692MFD, 692MFH

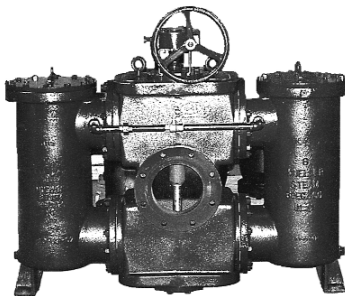
## Large Duplex Strainers Sizes: 8" - 16" (200 - 400mm)

Pressure / Temperature – Non-Shock (with Clamped Covers)		
CWP		
691MFA	8"-16"	150psi @ 150°F (10.3 bar @ 38°C)
691MFB	8"-16"	150psi @ 150°F (10.3 bar @ 38°C)
691MFD	8"-16"	150psi @ 150°F (10.3 bar @ 38°C)
691MFH	8"-16"	150psi @ 150°F (10.3 bar @ 38°C)

Pressure / Temperature – Non-Shock (with Bolted Covers)		
691MFA		
8"-12" CWP 150 PSI @ 150°F (10.3 bar @ 38°C) 150 PSI @ 250°F		14"-16" CWP 150psi @ 150°F (10.3 bar @ 38°C) 150psi @ 250°F
691MFB		
8"-12" CWP 200 PSI @ 150°F (15.5 bar @ 38°C) 175 PSI @ 250°F		14"-16" CWP 150psi @ 150°F (10.3 bar @ 38°C) 150psi @ 250°F
691MFD		
8"-12" CWP 200 PSI @ 100°F (19.6bar @ 38°C) 175 PSI @ 250°F		14"-16" CWP 150psi @ 150°F (10.3 bar @ 38°C) 150psi @ 250°F
691MFH		
8"-12" CWP 200 PSI @ 100°F (19 bar @ 38°C) 80 PSI @ 400°F		14"-16" CWP 150psi @ 150°F (10.3 bar @ 38°C) 150psi @ 250°F

Max. temp. can be limited by gasket and seat material. Consult factory.

**691M**                      **Class 125**  
**692M**                      **Class 150**



Models: 691, 692

Strainers provide economical protection for costly pumps, meters, valves, and other similar mechanical equipment by straining foreign matter from the connected piping system. Installation of a strainer before mechanical equipment can ensure trouble free service and avoid costly shutdowns for repair or replacement of equipment damaged by foreign matter. The size of the perforation or mesh in the basket screen will determine the smallest particles captured. See Strainer Information section of the Mueller Steam Specialty binder for detailed information including sizes and materials available.

### Typical Service

- Duplex Strainers are designed for use in fluid handling systems where the flow cannot be shut down for basket cleaning.
- Typical services include cooling water, compressors, condensers, fire lines, fuel lines, lubrication systems, salt and fresh water systems, chemical process systems, pump suction service, and more.
- Consider strainer body and screen material as well as gasket and seat materials for suitability for particular service.

### Features

- A single shaft drive operates both flow diverter valves
  - Shaft is made of 316SS
  - Flow transfer change with less than 90° rotation of the handle.
  - Actuator can be mounted to replace manual handle operation.
- The drive mechanism is enclosed protecting it from erosion and corrosion due to exposure to line fluid.
- All internal parts are field replaceable.

### Construction

- All body parts are heavy castings.
- Covers are bolted, clamped covers are available (limited to 150psi, 100°F)

### Baskets

- Gasketed and seated to prevent particle bypass around the basket.
- Large Open Area Ratios ensure minimum pressure drop across the unit.
- See Technical Data section of the Mueller Steam Specialty Engineering binder.

MODEL	SIZES	STANDARD (Water)	
		MATERIAL	OPENING
691MFA	8" - 16"	304SS	.125 perf
692MFB			
692MFD			
692MFH			

## Material

	691MFA,	692MFB,	692MFD,	692MFH
Body	Cast Iron ASTM A126 B	Bronze ASTM B62 (85-5-5-5)	Carbon Steel ASTM A216 WCB	Stainless Steel ASTM A351 CF8M
Cover	Plate A516-70	Bronze Plate	Carbon Steel Plate 516-70	Stainless Steel Plate A240-316
Seat	Bronze	Bronze	Bronze	A351-CF8M
Shaft	316SS	316SS	316SS	316SS
O-ring Seals	Buna-N	Buna-N	Buna-N	Buna-N

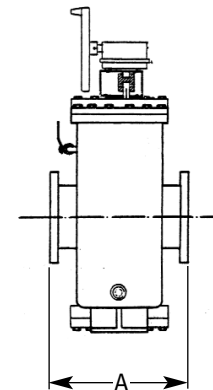
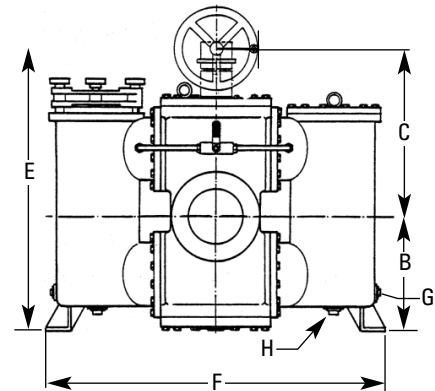
For stainless steel pickling and passivation available upon request. Consult factory.

## Dimensions and Weights

SIZE		DIMENSIONS								WEIGHT							
		A		B		C		E Screen Removal		F		G (NPT)		H (NPT)			
in.	mm	in.	mm	in.	mm	in.	mm	in.	mm	in.	mm	in.	mm	in.	mm	lbs.	kgs.
8	200	20	508	19	483	24 <sup>9</sup> / <sub>16</sub>	623	62	1575	54 <sup>3</sup> / <sub>4</sub>	1391	1	25	2	50	1365	620
10	250	24	610	20 <sup>1</sup> / <sub>2</sub>	521	28 <sup>3</sup> / <sub>4</sub>	730	72 <sup>1</sup> / <sub>2</sub>	1842	61	1549	1	25	2	50	1970	894
12	300	30	762	25 <sup>1</sup> / <sub>2</sub>	648	30 <sup>3</sup> / <sub>4</sub>	781	87 <sup>1</sup> / <sub>2</sub>	2223	65 <sup>7</sup> / <sub>8</sub>	1673	1	25	2	50	2800	1272
14	350	32	813	27 <sup>7</sup> / <sub>8</sub>	708	30 <sup>1</sup> / <sub>8</sub>	765	95 <sup>1</sup> / <sub>2</sub>	2426	71	1803	1	25	2	50	3300	1500
16	400	36 <sup>3</sup> / <sub>4</sub>	933	32	813	34 <sup>3</sup> / <sub>4</sub>	883	80 <sup>1</sup> / <sub>2</sub>	2045	80 <sup>1</sup> / <sub>2</sub>	2045	1 <sup>1</sup> / <sub>2</sub>	40	2	50	4400	2000

Apply For Certified Drawings.

Note: Handwheel dimension is 18"



Models: 691, 692

Mueller Steam Specialty product specifications in U.S. customary units and metric are approximate and are provided for reference only. For precise measurements, please contact Mueller Steam Specialty Technical Service. Mueller Steam Specialty reserves the right to change or modify product design, construction, specifications, or materials without prior notice and without incurring any obligation to make such changes and modifications on Mueller Steam Specialty products previously or subsequently sold.



A Division of Watts Water Technologies, Inc.

USA: 1491 NC Hwy 20 West St. Pauls, NC 28384; [www.muellersteam.com](http://www.muellersteam.com)

Tel: 910-865-8241 Fax: 910-865-6220

Toll Free Phone 1-800-334-6259 Toll Free Fax: 1-800-421-6772