

The SVF Series P4 is a high pressure ball valve designed to meet applications up to 5,000 psi. The P4 features a carbon or stainless steel body and is available in a variety of alloy materials. This engineered valve adds safety and reliability to high pressure systems and applications in Offshore, Oil & Gas, Petrochemical, Power and Refining.

**Features**

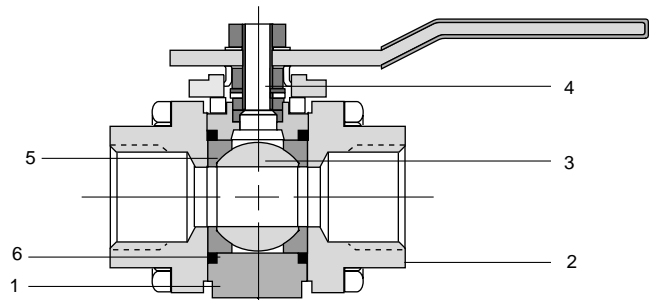
**1/2" - 2"**

- ▲ 1/2" - 2" (5000 psi)
- ▲ Designed to ANSI B16.34 and BS 5351
- ▲ High pressure to 5,000 psi
- ▲ Ideal for use with hydraulics, oil & gas and compressed gas systems
- ▲ Available to NACE MR-0175



**Materials**

Item	Description	Material
1	Body	Carbon Steel, 316 SS
2	Body Connector	Carbon Steel, 316 SS
3	Ball	316 SS
4	Stem	17-4 SS
5	Seat	Delrin, PEEK
6	Body Connector Seal	Buna, Viton, EPDM



**Dimensions & Weights (ins., lbs)**

Size	A	B	C	D	Wt.
1/2"	3.06	1.50	7.00	0.44	2.00
3/4"	3.34	1.60	7.00	0.56	2.70
1"	4.25	2.20	7.60	0.81	5.00

