

Series 41 (Reduced Port) Flanged Fire-Safe Ball Valve

The SVF Series 41 flanged ball valves are fire safe to the latest API-607-4th edition standards. The standard "41" is ANSI-150#, reduced port and features an integral ISO-5211 mounting pad for easy actuator attachment. All valves are fitted with a locking device. For more information see the complete brochure.

Features

1 1/2 - 6"

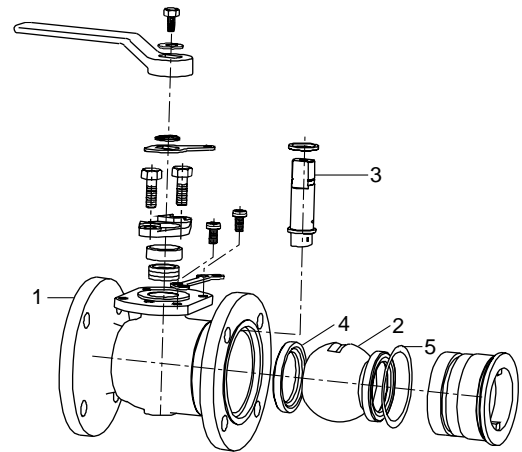
- ▲ Fire tested to API-607, 4th Edition standards
- ▲ Metal-to-Metal secondary seats
- ▲ Graphite body seal
- ▲ Integral ISO mounting pad to ISO-5211
- ▲ Standard locking device
- ▲ Class 150, reduced port



Materials

Item	Description	Material	
		Carbon Steel	Stainless Steel
1	Body	A216-WCB	A351-CF8M
2	Ball	A351-CF8M	A351-CF8M
3	Stem	A276-316	A276-316
4	Seat	*RTFE	*RTFE
5	Seal	Graphite	Graphite

* 15% Glass-Standard, 25% Carbon-Optional



Dimensions & Weights (ins., lbs)

Size	A	B	C	D	E	Wt. CS	Wt. SS
1 1/2"	6.50	5.00	6.00	1.00	4.00	11	11
2"	7.00	6.00	9.00	1.50	5.00	21	19
3"	8.00	7.50	13.80	2.32	6.06	39	40
4"	9.00	9.00	13.80	3.00	6.69	60	62
6"	10.50	11.00	17.70	4.01	8.11	104	103

