

The SVF Series D8/T7, three-piece ball valve represents the next generation in design and performance. This process quality, high-performance valve has been engineered and manufactured to meet all of the industry standards for quality and performance. This feature-rich design adds safety, reliability and superior performance to any process control system.

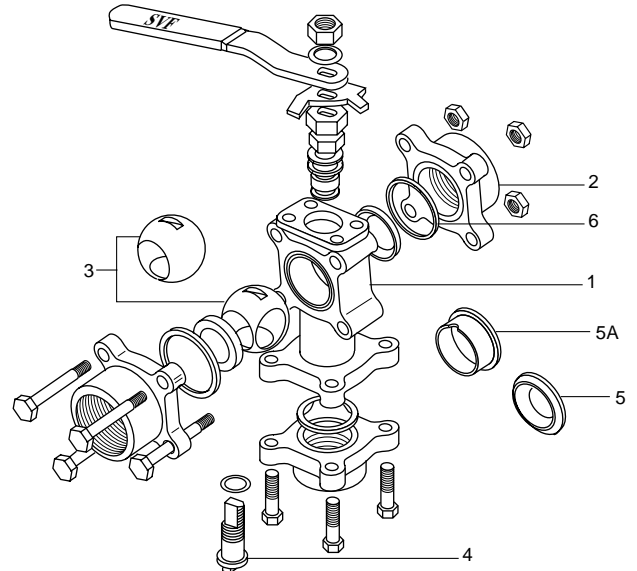
Features **1/2 - 2"**

- ▲ Available in a variety of flow patterns
- ▲ Live-loaded stem seal per ISA-SP-93
- ▲ Self-relieving seats that reduce operating torque and improve seat life
- ▲ Integral ISO mounting pad to ISO-5211
- ▲ Stainless steel ends are 316L grade
- ▲ Blowout-proof stem
- ▲ Stainless externals - hardware, stem and handle
- ▲ Full range of versatile options



Materials

Item	Description	Material
1	Body	Alloy 20, Carbon Steel, Hastelloy C, 316 SS
2	Body Connector	Alloy 20, Carbon Steel, Hastelloy C, 316L SS
3	Ball	Alloy 20, Hastelloy C, 316 SS, Monel
4	Stem	Alloy 20, Hastelloy C, 316 SS, Monel
5	Seat	TFE, RTFE, NRG, Delrin, UHMWPE, PEEK, VXI
5A	Cavity Filled Seat	TFE
6	Body Connector Seal	TFE, Graphoil, Buna-N, UHMWPE



Dimensions & Weights (ins., lbs)

Size	A	B	C	D	E	F	G	Wt.
1/2"	2.80	2.75	0.56	0.47	1.59	1.87	4.49	2.50
3/4"	2.80	2.75	0.56	0.47	1.59	1.87	4.49	2.50
1"	3.66	3.45	0.81	0.63	2.19	2.40	5.75	4.50
1-1/2"	4.56	4.15	1.25	1.05	2.87	3.15	7.00	9.00
2"	5.04	4.50	1.50	1.40	3.07	3.31	7.00	12.50

