

The SVF Series C8 & C32, ball valves meet Chlorine Institute Specifications (Phamphlet 6) for piping systems for Dry Chlorine Service. This series is available with NPT, Socket Weld and ANSI 300# end connections.

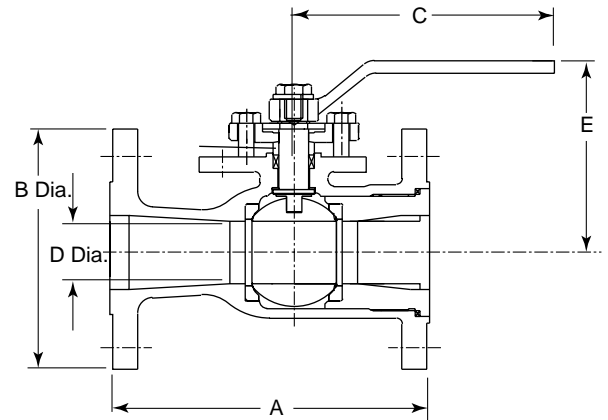
Material Recommendations

Environment	Service	Max. Chlorine Conc. PPM of H2O	Recommendation for Ball & Stem Material
Clean (no Chlorine in the air)	Mid-Line	20 ppm	Monel Ball & Stem
		50 ppm	Hastelloy C Ball, Monel Stem
		150 ppm	Hastelloy C Ball & Stem
Chlorine Contaminated	Mid-Line	150 ppm	Hastelloy C Ball & Stem
Chlorine	End of Line	150 ppm	Hastelloy C Ball & Stem



Dimensions & Weights - C32 (ins., lbs) 1/2" - 4"

Size	A	B	C	D	E	Wt.
1/2"	5.50	3.50	5.10	0.51	3.30	5.1
3/4"	6.00	4.62	5.10	0.75	3.46	8.0
1"	6.50	4.88	6.10	1.00	4.01	11.3
1 1/2"	7.50	6.12	9.10	1.50	5.19	23.8
2"	8.50	6.50	9.10	2.00	5.79	31.3
2 1/2"	9.50	7.50	13.80	2.50	5.98	46.8
3"	11.13	8.25	13.80	3.00	6.93	62.8
4"	12.00	10.00	17.70	4.00	8.27	110.5



Dimensions & Weights - C8 (ins., lbs) 1/4" - 2"

Size	A	B	C	D	E	Wt.
1/4", 3/8", 1/2"	2.60	2.40	4.49	0.44	1.81	1.7
3/4"	2.80	2.60	4.49	0.56	1.87	2.0
1"	3.66	3.42	5.75	0.81	2.40	3.7
1 1/4"	4.25	3.70	5.75	1.00	2.60	5.0
1-1/2"	4.56	4.40	7.00	1.25	3.15	7.3
2"	5.04	4.90	7.00	1.50	3.31	10.3

