

## Fig. 82 - Epoxy Copper Tec™ Tubing Riser Clamp

### Fig. 82PVC - PVC Coated Copper Tec™ Tubing Riser Clamp

**Size Range** — Size 1/2" thru 6" copper tubing

**Material** — Carbon Steel

**Function** — Used for supporting vertical copper tubing.

**Approvals** — Conforms to Federal Specification WW-H-171E, Type 8 and Manufacturers Standardization Society SP-69 Type 8.

**Finish** — Epoxy Copper Tec™ Plated

**Note** — Available with plastic coating, specify by ordering Fig. 82PVC

**Order By** — Figure number and nominal tubing size

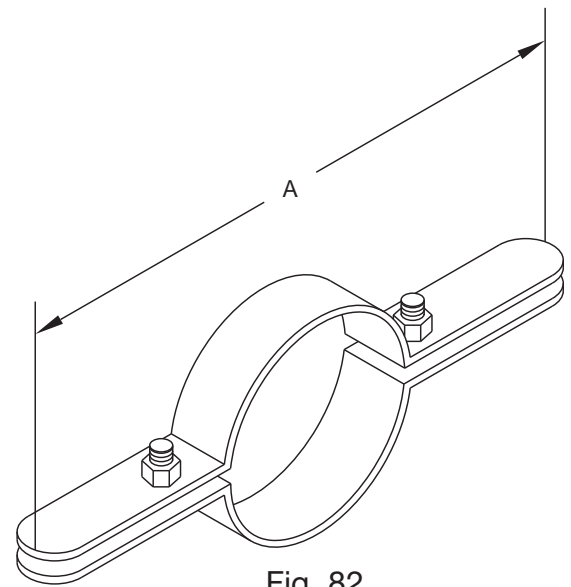


Fig. 82

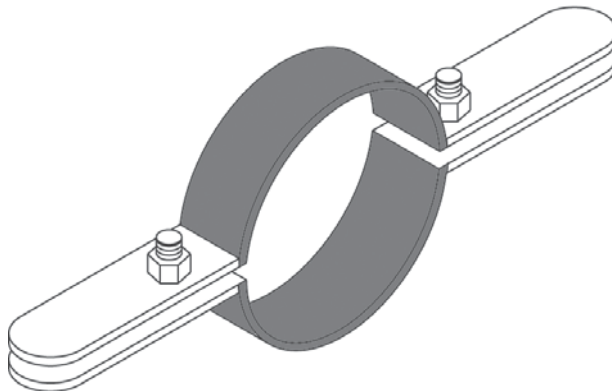


Fig. 82PVC

Dimensions • Weights				
Copper Tube Size	A	Bolt Size	Max. Rec. Load Lbs.	Approx. Wt./100
1/2	6½	3/8	75	68
3/4	9¼	3/8	75	69
1	9¾	3/8	120	95
1¼	9¾	3/8	150	101
1½	10	3/8	150	152
2	10	3/8	150	164
2½	11	3/8	300	172
3	11½	3/8	300	184
3½	12	3/8	300	196
4	13	3/8	300	247
5	14	1/2	400	258
6	15	1/2	500	405