


## Fig. 109A - Concrete Deck Insert

 Component of State of California OSHPD Approved Seismic Restraints System 

**Size Range** — 3/8" thru 7/8" rod

**Material** — Carbon Steel

**Function** — For use in metal deck formed concrete to attach hanger rods. Allows for pre-positioning of hanger rods in poured concrete decks.

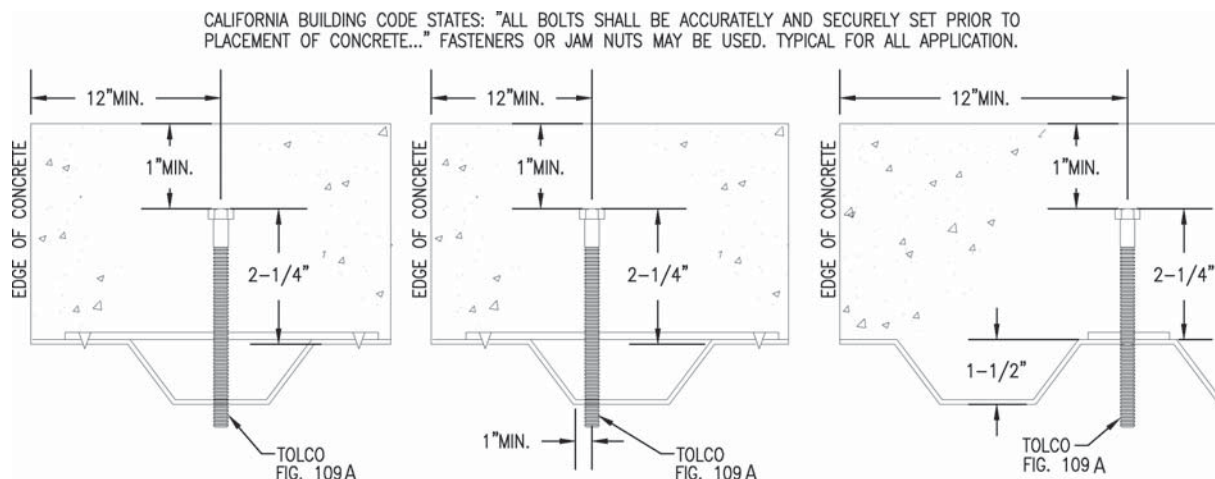
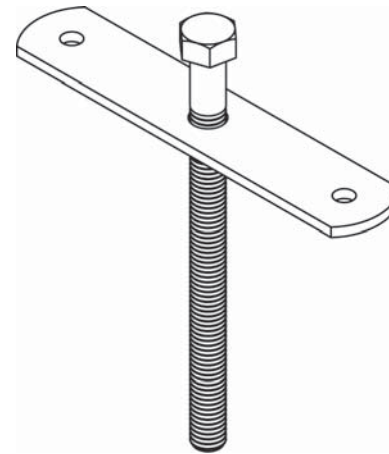
**Approvals** — 3/8" - 5/8" rod size is Underwriters' Laboratories listed in the

USA (**UL**) and Canada (**cUL**). Included in our Seismic Restraints Catalog approved by the State of California Office of Statewide Health Planning and Development (**OSHPD**). For additional load, spacing and placement information relating to OSHPD projects, please refer to the TOLCO Seismic Restraints Systems Guidelines. Hangers certified by a registered professional engineer to conform to Section 6-1.1 of NFPA #13 (1999) and Section 9.1.1.2 of NFPA 13 (2002).

**Finish** — Plate: Plain Steel. Rod: Electro-Galvanized

**Note** — Available in HDG finish or Stainless Steel materials.

**Order By** — Figure number, rod size and finish. Custom rod lengths are available. Consult factory.



### Spacing/Load Chart for 3000 PSI Light Weight Concrete over 20 GA Steel Deck

Rod Size	Max. Pipe Size	Max. Hanger Spacing	Max. Rec Loads
3/8	4"	15'-0"	1144
1/2	8"	15'-0"	1158
5/8	Consult Factory	Consult Factory	1430
3/4	Consult Factory	Consult Factory	2000
7/8	Consult Factory	Consult Factory	2000

Max. Rec. Loads shown include safety factory of 5.

#### NOTES:

1. Mounting holes are standard. If the plate is not mechanically secured to the deck ribs, a jam nut is required to prevent the anchor bolt from laying over when concrete is poured.
2. Minimum spacing between inserts shall be not less than 4½" for 3/8" and 6" for 1/2"