

TRIPLE DUTY VALVES

Model TD830 Triple Duty Valve

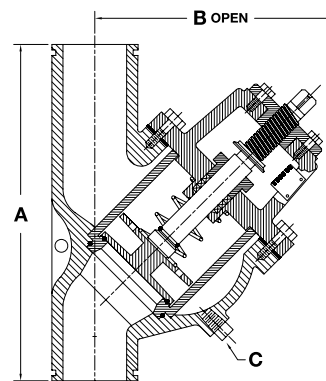
The Model TD830 Triple Duty Valve is designed for installation in pump discharge piping where it functions as a spring loaded silent check valve, flow control valve and shut-off valve.

The Model TD830 Triple Duty Valve operates automatically and silently. Line pressure of approximately ¼ psi will open the disc. The spring closes the disc as the line flow approaches zero in order to prevent flow reversal and water hammer. The flow through the valve can be adjusted from bubble tight shut-off to full flow by the acme threaded rising stem.

The Model TD830 Triple Duty Valve can be installed quickly into grooved end piping systems with two Grinnell Couplings. The externally guided disc has a soft seat to ensure a leak-tight seal. It lifts ⅓ inch for each inch of pipe diameter. The rising stem design incorporates a graduated position indicator to ensure accurate disc positioning for throttling service. The yoke and valve stem are unwetted external parts so they cannot be corroded or eroded by the line fluid. All mating threaded parts are made of dissimilar, non-galling metals. An NPT drain plug is provided, as well as bosses for gauge taps at the inlet and outlet.



Tech Data: G390



MATERIAL SPECIFICATIONS

Body & Yoke Specifications

- Ductile Iron Conforming to ASTM A-536 or A-395

Seat Guide

- Bronze Conforming to ASTM B-62, 85/5/5/5

Disc

- Cast Iron Conforming to ASTM A-126-B

Spring

- 302 Stainless Steel

Stem

- Bronze Conforming to ASTM B-21

Seat, Disc, and Stem O-Rings

- EPDM

Seat

- Bronze

Flanged Gland

- Cast Iron Conforming to ASTM A-126-B

Cover Gasket and Packing

- Non-Asbestos

ANSI Inches DN	O.D. Inches mm	Nominal Dimensions			Approx. Weight lbs kg
		A Inches mm	B Inches mm	C Inches NPT	
2 DN50	2.375 60.3	9.375 238.1	9.625 244.5	½ 15	23.0 10.0
2½ DN65	2.875 73.0	10.250 260.4	9.625 244.5	½ 15	24.0 10.9
3 DN80	3.500 88.9	11.250 285.8	10.125 257.2	½ 15	33.0 15.0
4 DN100	4.500 114.3	15.625 397.9	11.125 282.6	½ 15	84.0 38.0
5 DN125	5.563 141.3	15.625 397.9	11.125 282.6	½ 15	84.0 38.0
6 DN150	6.625 168.3	19.625 498.5	17.500 444.5	¾ 20	156.0 70.0
8 DN200	8.625 219.1	23.625 600.0	18.000 457.2	¾ 20	300.0 136.0
10 DN250	10.750 273.1	28.000 711.2	19.875 504.8	1 25	392.0 178.0
12 DN300	12.750 323.9	31.625 803.3	25.000 635.0	1 25	496.0 225.0
14 DN340	14.000 355.6	33.500 851.0	25.000 635.0	1 25	790.0 358.3

Please refer to General Notes on page 17.

Stem Guide

- Ductile Iron Conforming to ASTM A-536 or A-395

Finish

- Black Paint

VALVES