

Fig. 432 - Slide Plate for TOL-Strut® Channel PTFE

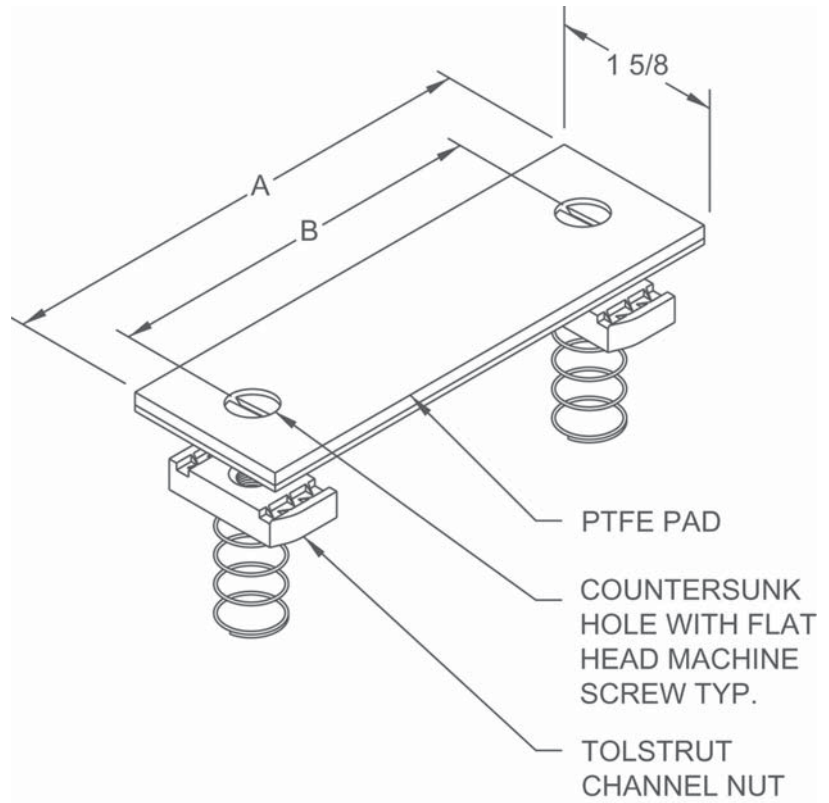
Material — Carbon Steel and PTFE

Function — To support pipe slides used with TOL-Strut channel and allow pipe to move freely in the horizontal plane.

Finish — Plain

Note — Available in Electro-Galvanized and HDG finish or Stainless Steel materials.

Order By — Figure number and size



Dimensions • Weights			
Size	A	B	Approx Wt./100
1	4	3	41
2	8	7	67
3	12	10	93
4	16	14	119
5	20	18	145
6	24	22	171