

The SVF Series F8 (standard port) and FB8 (full port) fire-safe ball valves satisfy a wide range of industrial applications for processing and handling flammable fluids. All seats and seals are interchangeable with former FS7 and FSB7 valves.

Features

1/4 - 2"

- ▲ Fire-Tested to API-607-4th edition
- ▲ Encapsulated Body Seal
- ▲ Locking handle (OPTION)
- ▲ Integral ISO mounting pad to ISO-5211
- ▲ End connenctions include:
NPT, SW and ANSI 150# & 300#

Materials F8 & FB8

Item	Description	Material
1	Body	CF8M or WCB
2	End Cap	CF8M or WCB
3	Ball	316 SS
4	Stem	316 SS
5	Seat	RTFE
6	Body Connector Seal	Graphoil

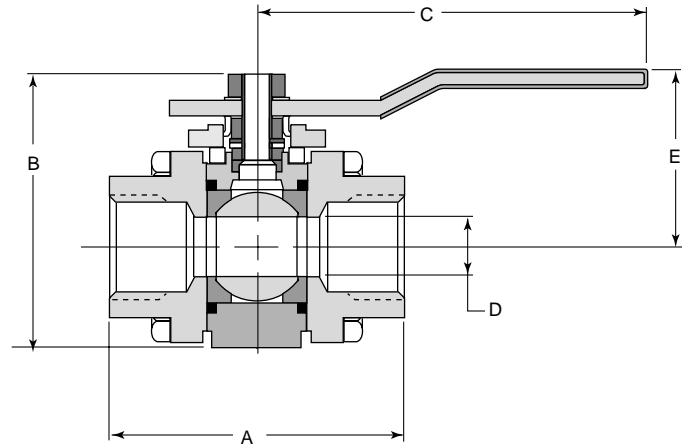
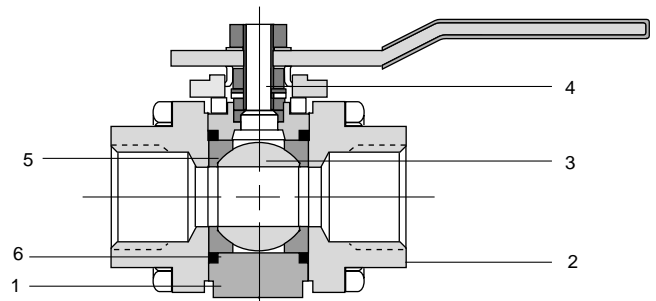


F8-Dimensions & Weights (ins., lbs)

Size	A	B	C	D	E	Wt.
1/4"	2.71	2.63	5.12	0.39	2.50	1.8
3/8"	2.71	2.63	5.12	0.39	2.50	1.8
1/2"	2.71	2.63	5.12	0.39	2.50	1.8
3/4 "	2.85	2.95	5.12	0.59	2.73	2.1
1"	3.36	3.33	5.12	0.79	2.91	3.9
1 1/4"	4.15	3.87	6.50	0.98	3.44	5.2
1 1/2"	4.37	4.10	6.50	1.26	3.64	7.6
2"	5.01	4.95	7.48	1.50	4.13	11.0

FB8-Dimensions & Weights (ins., lbs)

Size	A	B	C	D	E	Wt.
1/4"	2.71	2.63	5.12	0.39	2.50	1.8
3/8"	2.71	2.63	5.12	0.39	2.50	1.8
1/2"	2.85	2.95	5.12	0.59	2.73	2.1
3/4 "	3.36	3.33	5.12	0.79	2.91	3.9
1"	4.15	3.87	6.50	0.98	3.44	5.2
1 1/4"	4.37	4.10	6.50	1.26	3.64	7.6
1 1/2"	5.01	4.95	7.48	1.50	3.11	11.0
2"	5.71	6.48	7.48	1.97	3.76	13.0



*1/4" and 3/8" are FB8 only (Full Port)