

## Fig. 318A - Pipe Saddle with U-Bolt and Threaded Pipe Adjuster

**Size Range** — 4" thru 36" pipe

**Material** — Carbon Steel with cast iron reducer

**Function** — Designed to support horizontal pipe from floor stanchion where vertical adjustment is required. U-bolt and hex nuts are provided to hold pipe securely to saddle. To complete floor stanchion, use with Fig. 316T Threaded Pipe Stand.

**Approvals** — Conforms to Federal Specification

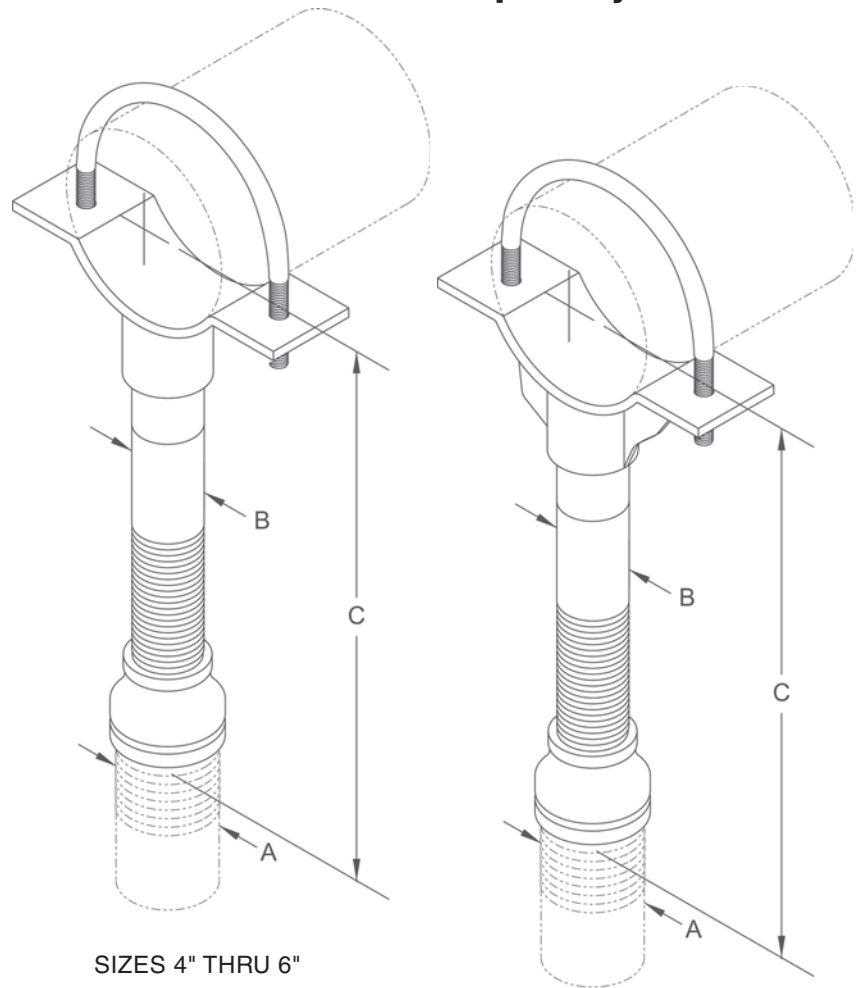
WW-H-171E, Type 38, 4" thru 36", and Manufacturers Standardization Society SP-69, Type 37

**Finish** — Plain

**Note** — Available in Electro-Galvanized and HDG finish or Stainless Steel materials.

**Order By** — Figure number, pipe size, adjuster size and finish

**Note** — Order with TOLCO® Fig. 316T for complete stanchion support.



SIZES 4" THRU 6"

SIZES 8" THRU 36"

### Dimensions • Weights

Pipe Size	A Stand Pipe Size	B Adj. Pipe Size	C Min.	C Max.	Approx. Wt./100
4	3	2½	10¼	14¾	1413
5	3	2½	11¼	15⅞	1453
6	3	2½	11⅞	16¼	1628
8	3	2½	13⅞	18¼	1913
10	3	2½	14⅞	19⅞	2193
12	3	2½	15⅞	20⅞	2593
14	4	3	18⅞	23⅞	4150
16	4	3	19⅞	24⅞	4445
18	6	4	22¼	26¾	4468
20	6	4	23¼	27¾	6557
22	6	4	24¼	28¾	6908
24	6	4	26½	31	7436
26	6	4	27½	32	7768
30	6	4	29⅞	34⅞	9196
32	6	4	30⅞	35⅞	9575
36	6	4	32⅞	37⅞	10294