

595Y

595Y-66

Three-piece, Full Port, 600 psi CWP Bronze Ball Valve for general purpose or utility service applications where inline maintenance is required. Cast bronze body and end pieces, blowout proof silicon bronze stem are standard. 316 Stainless Ball and Stem are optional (66 trim). Threaded ends are standard. Solder end valves are also available. When installing solder end valves, conventional soldering techniques should be used.



T or S595Y

Design Features:

- Full port for high flow coefficient
- Dezincification resistant silicon bronze stem
- Adjustable packing
- Three-piece design for inline maintenance and repair
- 1/4" – 2 1/2"

Specifications:

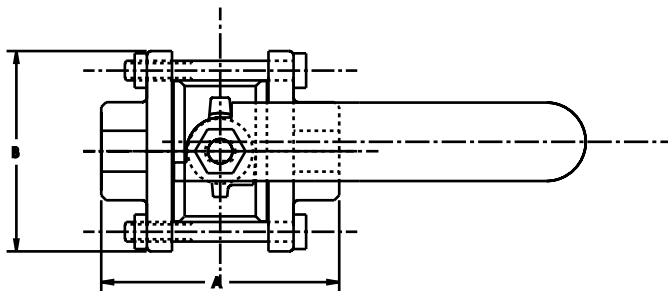
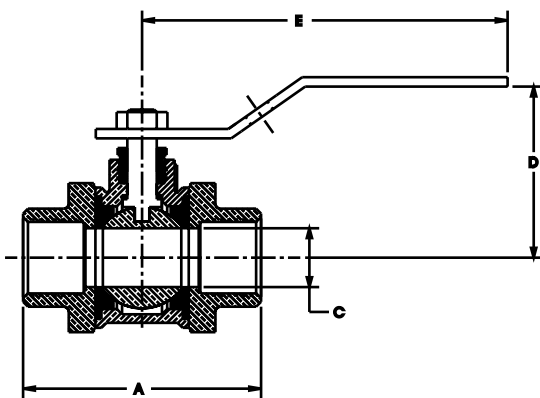
- MSS SP-110
- ANSI B1.20.1 (threaded end)
- ANSI B16.18 (solder end)

Applications:

- HVAC
- Compressed air
- Vacuum service
- Process requiring inline maintenance

Options:

- 316SS ball & stem
- Memory stop
- Nib-Seal® insulated handle
- Locking lever



Dimensions in inches

Size	Dim. A		Dim. B	Dim. C	Dim. D	Dim. E
	NPT	C x C				
1/4	2.50	1.69	1.81	0.38	1.69	3.91
3/8	2.50	1.81	1.81	0.38	1.69	3.91
1/2	2.50	2.06	1.81	0.50	1.69	3.91
3/4	3.00	2.94	1.94	0.75	2.00	4.66
1	3.69	3.66	2.50	1.00	2.25	4.66
1 1/4	4.09	3.91	2.69	1.25	2.75	6.69
1 1/2	4.56	4.60	3.00	1.50	2.97	6.69
2	6.16	5.78	4.00	2.00	3.63	6.69
2 1/2	6.84	6.94	5.00	2.50	4.09	8.00

Dimensions in millimeters

Size	Dim. A		Dim. B	Dim. C	Dim. D	Dim. E
	NPT	C x C				
10	63.5	42.9	46.0	9.7	42.9	99.3
12	63.5	46.0	46.0	9.7	42.9	99.3
15	63.5	52.3	46.0	12.7	42.9	99.3
20	76.2	74.7	49.3	19.0	50.8	118.4
25	93.7	93.0	63.5	25.4	57.1	118.4
32	103.9	99.3	68.3	31.8	69.8	169.9
40	115.8	116.8	76.2	38.1	75.4	169.9
50	156.5	146.8	101.6	50.8	92.2	169.9
65	173.7	176.3	127.0	63.5	103.9	203.2

