

Fig. 1 - Standard Clevis Hanger

Size Range — Size 1/2" thru 36" pipe.

Material — Carbon Steel

Function — Recommended for the suspension of non-insulated pipe or insulated pipe with Fig. 220 shield.

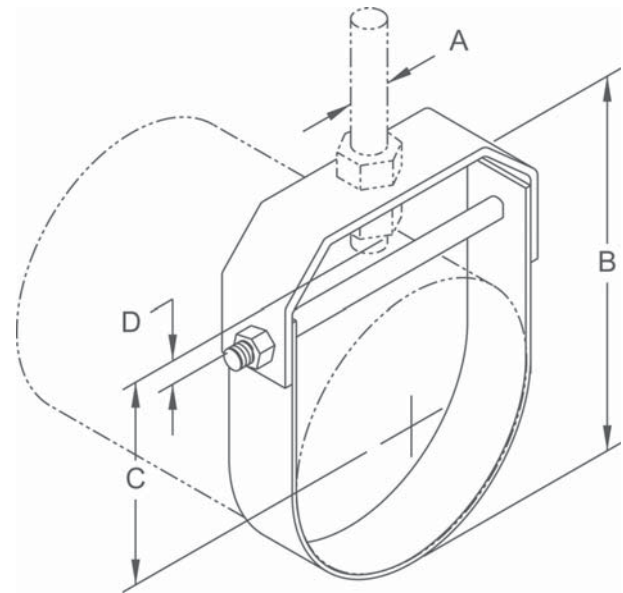
Note — When an oversized clevis is used, a pipe spacer should be placed over the cross bolt to assure that the lower U-strap will not move in on the bolt. When attaching seismic bracing to clevis hangers, a Fig. 1 CBS (cross bolt spacer) must be installed. See TOLCO® Seismic Restraint Approval Guidelines.

Approvals — Underwriters' Laboratories Listed in the USA (UL), Canada (cUL) 3/4" thru 8". Conforms to Federal Specification WW-H-171E, Type 1, and Manufacturers Standardization Society SP-69, Type 1. Also available to accommodate rod schedule per National Fire Protection Association (NFPA) Pamphlet 13. Included in our Seismic Restraints Catalog approved by the State of California Office of Statewide Health Planning and Development (OSHPD). For additional load, spacing and placement information relating to OSHPD projects, please refer to the TOLCO Seismic Restraint Systems Guidelines.

Maximum Temperature — 650°F

Finish — Plain

Note — Available in Electro-Galvanized and HDG finish or Stainless Steel.



Dimensions • Weights

Pipe Size	Rod Size A		B	C	D	Max. Rec. Load Lbs.	Approx. Wt./100
	STD	NFPA					
1/2	3/8	3/8	2 ¹ / ₁₆	1 ³ / ₁₆	1	610	36
3/4	3/8	3/8	2 ⁷ / ₁₆	1 ⁷ / ₈	1	610	38
1	3/8	3/8	3 ¹ / ₄	2 ¹ / ₁₆	1	610	42
1 ¹ / ₄	3/8	3/8	3 ⁹ / ₁₆	2 ¹ / ₄	1	610	46
1 ¹ / ₂	3/8	3/8	3 ⁷ / ₈	2 ³ / ₈	1	610	49
2	3/8	3/8	4 ⁷ / ₁₆	2 ³ / ₄	1	610	55
2 ¹ / ₂	1/2	3/8	5 ⁵ / ₁₆	3 ¹ / ₄	1	1130	124
3	1/2	3/8	5 ¹⁵ / ₁₆	3 ¹ / ₂	1 ¹ / ₄	1130	140
3 ¹ / ₂	1/2	3/8	6 ⁷ / ₁₆	3 ³ / ₄	1 ¹ / ₄	1130	152
4	5/8	3/8	7 ³ / ₈	4 ¹ / ₄	1 ¹ / ₂	1430	190
5	5/8	1/2	8 ¹⁵ / ₁₆	5 ¹ / ₄	1 ¹ / ₂	1430	235
6	3/4	1/2	9 ¹³ / ₁₆	5 ¹ / ₂	1 ¹ / ₂	1940	317
8	3/4	1/2	12 ⁹ / ₁₆	7 ¹ / ₈	2	2000	428
10	7/8	5/8	16 ¹ / ₄	9 ⁵ / ₈	3 ¹ / ₄	3600	918
12	7/8	5/8	18 ⁹ / ₁₆	10 ¹³ / ₁₆	3 ¹ / ₈	3800	1086
14	1	—	20 ³ / ₄	12 ³ / ₈	4	4200	1267
16	1	—	22 ⁷ / ₈	13 ³ / ₁₆	3 ³ / ₄	4600	1930
18	1	—	25 ³ / ₄	15 ⁹ / ₃₂	4 ⁷ / ₁₆	4800	2264
20	1 ¹ / ₄	—	28 ¹³ / ₁₆	17 ¹ / ₁₆	5 ³ / ₁₆	4800	3531
*24	1 ¹ / ₄	—	32 ¹ / ₈	18 ¹ / ₄	4 ⁷ / ₁₆	4800	4431
*30	1 ¹ / ₄	—	38 ⁷ / ₈	21 ⁷ / ₈	5	6000	6940
*36	1 ¹ / ₂	—	48	27 ³ / ₄	5 ³ / ₄	9500	18103

*Furnished with pipe spacer to support maximum load rating